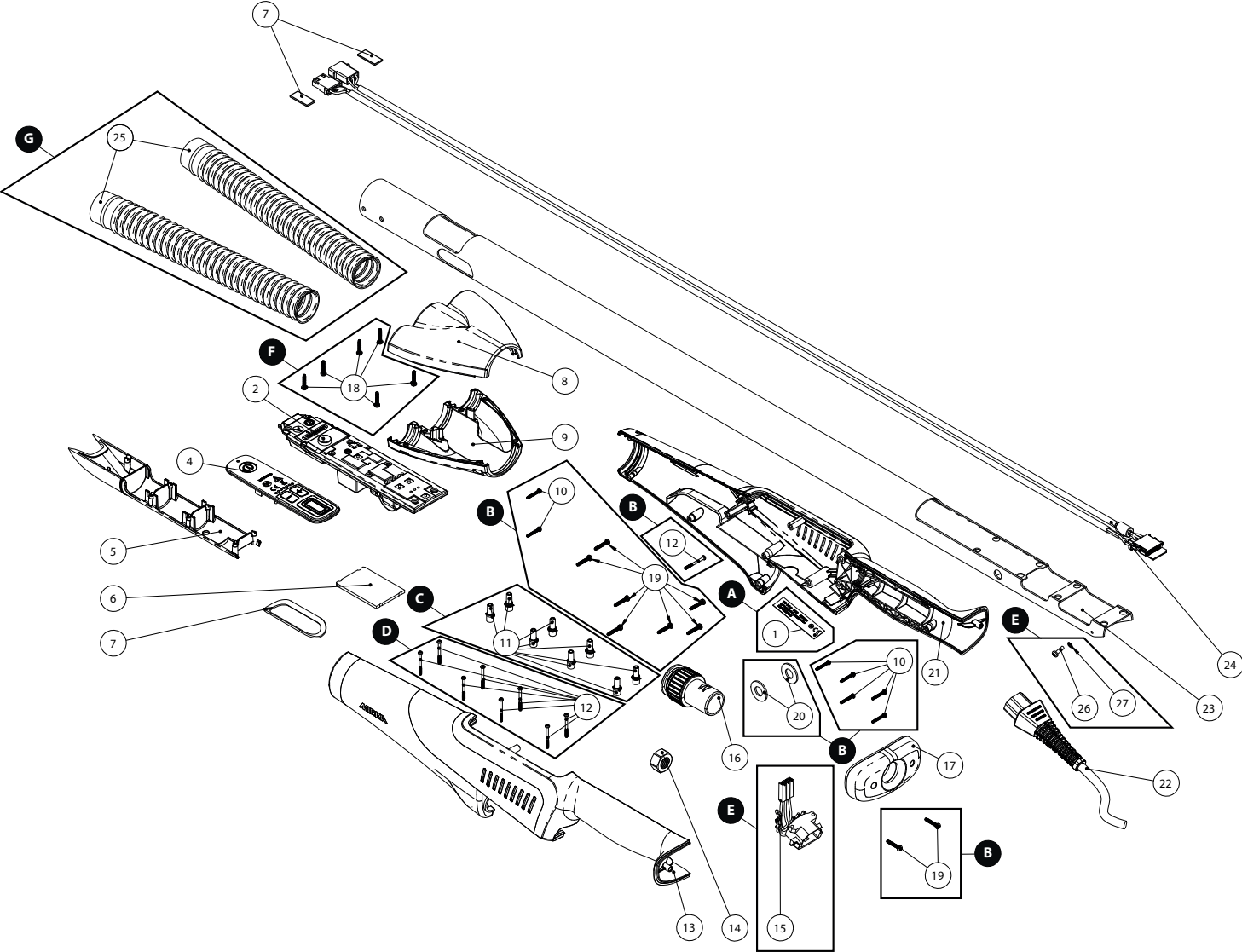


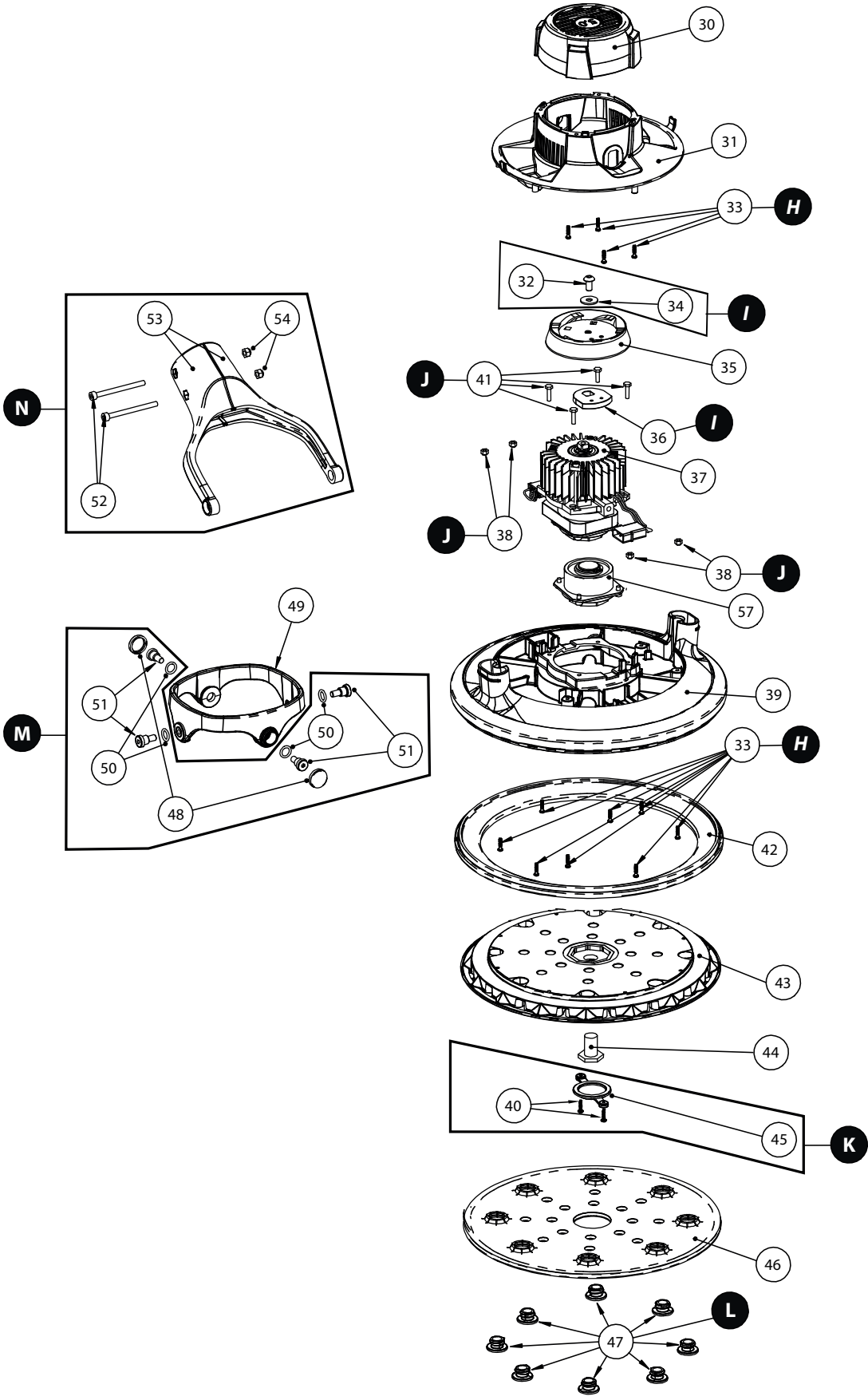
Exploded view of LEROS 950XCV 225 mm (100-240V) – Handle

Updated 19.01.2022



Exploded view of LEROS 950XCV 225 mm (100-240V) – Grinding head

Updated 19.01.2022



LEROS 950XCV 225 mm (100-240V) Spare Part kits

Electrical tool must be serviced by a qualified repair person and in accordance with national requirements.

Note! Repairs done by non-authorized repairer will breach the Mirka warranty.

Mirka code	Item	Description	Kit	Qty	Tightening torque
	1	Type Label kit 100-240V Type Label	A	5	
MIW9521011		Handle Screw kit			
	10	Screws STP 2,5x16 mm		7	0,8 Nm/0,6 ft-lb
	12	Screws 2,5x25/10 mm	B	1	0,8 Nm/0,6 ft-lb
	19	Screws 3x16 mm		9	1,4 Nm/1,0 ft-lb
	20	Rubber Washer		2	
MIW9521111		PCB Spacer kit	C		
	11	PCB Spacer		8	
MIW9521211		PCB Screw kit	D		
	12	Screw 2,5 x 25 mm		8	0,5 Nm/0,4 ft-lb
MIW9521511		Power Socket Assembly kit			
	15	Power Socket Assembly	E	1	
	26	Grounding Screw		1	0,8 Nm/0,6 ft-lb
	27	Star Washer M3		1	
MIW9521811		Screw kit Y-Branch	F		
	18	Screw 3 x 14 mm		6	0,8 Nm/0,6 ft-lb
MIW9522511		Dust Hose kit	G		
	25	Dust Hose		2	
MIW9523311		Screw kit Fairing	H		
	33	Screw STS 2,5 x 10 mm		12	0,8 Nm/0,6 ft-lb
MIW9523211		Dynamic Weight kit			
	32	Screw M5 x 10 mm	I	1	3 Nm/2,2 ft-lb
	34	Fan Washer M5		1	
	36	Dynamic Weight		1	
MIW9523811		Screw kit Motor	J		
	38	Lock Nut M3		4	1,4 Nm/1,0 ft-lb
	41	Screw M3 x 12 mm		4	

LEROS 950XCV 225 mm (100-240V) Spare Part kits

Mirka code	Item	Description	Kit	Qty	Tightening torque
MIW9524011		Cover Cap kit			
	40	Screw STS 2,5 x 8 mm T+/-8	K	2	0,8 Nm/0,6 ft-lb
	45	Cover Cap		1	
MIW9514711		Hole Screw kit			
	47	Hole Screw	L	8	0,8 Nm/0,6 ft-lb
MIW9524811		Joint Screw kit			
	48	Screw Cap	M	2	
	50	O-Ring 7,65 x 1,78 mm		4	
	51	Joint Screw M5 x 8 mm		4	4 Nm/3 ft-lb
MIW9515411		Joint Fork kit			
	52	Screw M4 x 50 mm	N	2	1,4 Nm/1,0 ft-lb
	53	Joint Fork		2	
	54	Lock Nut M4		2	

Separate spare parts on next page.

LEROS 950XCV 225 mm (100-240V) Spare Parts

Mirka code	Item	Description	Kit	Qty	Tightening torque
	1	Type Label	A	1	
MIW9510211 *	2	Speed Controller *		1	
MIW9510411	4	Button Plate		1	
MIW9510511	5	Dust Guide		1	
MIW9510611	6	Gap Filler 3 mm		1	
MIW9510711	7	Pipe Sealing + 2 Foam Dampers		1	
MIW9510811	8	Y-Branch Top		1	
MIW9510911	9	Y-Branch Base		1	
	10	Screw STP 2,5 x 16 mm	B	7	0,8 Nm/0,6 ft-lb
	11	PCB Spacer	C	8	
	12	Screw 2,5 x 25 mm	B,D	9	
MIW9511311	13	Handle Left		1	
MIW9511411	14	Nut M12		1	
	15	Power Socket Assembly	E	1	
MIW9511611	16	Hose Connector		1	
MIW9511711	17	End Cap		1	
	18	Screw 3 x 14 mm	F	6	0,8 Nm/0,6 ft-lb
	19	Screw STP 3 x 16 mm	B	9	1,4 Nm/1,0 ft-lb
	20	Rubber Washer 10 x 21 x 1,5 mm	B	2	
MIW9512111	21	Handle Right		1	
MIE9017011	22	Rewireable Mains Cable 4,3m CE 230V UK		1	
MIE9017211	22	Rewireable Mains Cable 4,3m 100-120V US		1	
MIE9017311	22	Rewireable Mains Cable 4,3m 100-120V UK		1	
MIW9512311	23	Tube		1	
MIW9512411	24	Power and Signal Cable		1	
	25	Dust Hose	G	2	
	26	Grounding Screw	E	1	0,8 Nm/0,6 ft-lb
	27	Star Washer M3	E	1	
MIW9513011	30	Fan Cover		1	
MIW9513111	31	Fairing Cover		1	
	32	Screw M5 x 10 mm	I	1	3 Nm/2,2 ft-lb
	33	Screw STS 2,5 x 10 mm	H	12	0,8 Nm/0,6 ft-lb
	34	Fan Washer M5	I	1	
MIW9513511	35	Fan		1	
	36	Dynamic Weight	I	1	
MIW9563711 *	37	Motor Assembly for LEROS X *		1	
	38	Lock Nut M3	J	4	1,4 Nm/1,0 ft-lb
MIW9513911	39	Fairing		1	
	40	Screw STS 2,5 x 8 mm T+/-8	K	2	0,8 Nm/0,6 ft-lb
	41	Screw M3 x 12 mm	J	4	
MIW9514211	42	Brake Seal		1	
MIW9514312	43	Backing Pad 225mm (Grip & Screw Mounting of Interface)		1	
MIW9514411	44	Pad Screw		1	10 Nm/7,4 ft-lb
	45	Cover Cap	K	1	
MIW9514611	46	Interface		1	
	47	Hole Screw	L	8	0,8 Nm/0,6 ft-lb
	48	Screw Cap	M	2	
MIW9514911	49	Joint Ring		1	
	50	O-Ring 7,65 x 1,78 mm	M	4	
	51	Joint Screw M5 x 8 mm	M	4	4 Nm/3 ft-lb
	52	Screw M4 x 50 mm	N	2	1,4 Nm/1,0 ft-lb
	53	Joint Forks	N	2	
	54	Lock Nut	N	2	
MIW9525711	57	Spindle + Bearing Assembly		1	

* Spare parts only available to authorized repairers.