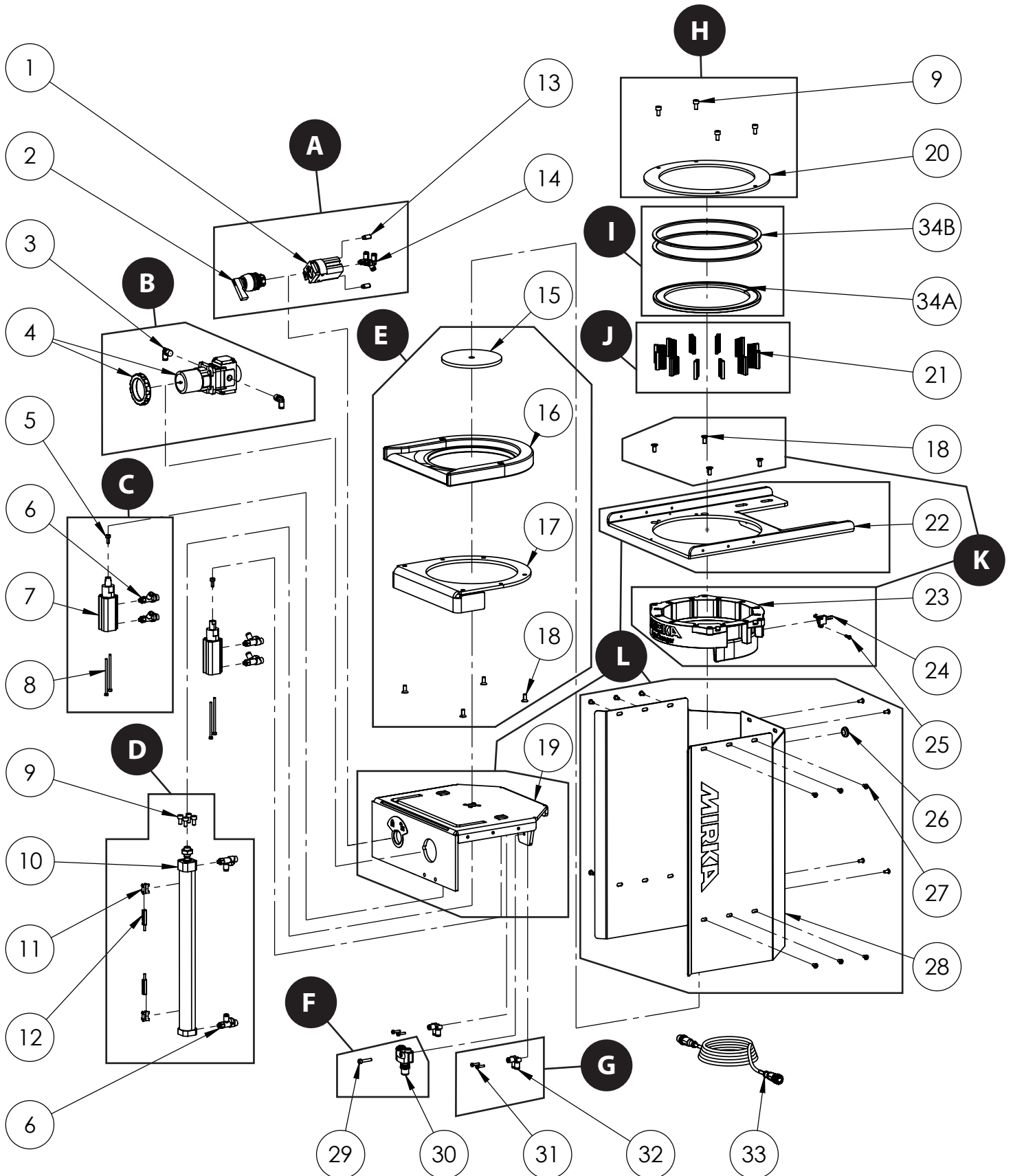


Exploded view of AutoChanger Magazine 150mm  
 Updated 23.11.2023



## AutoChanger Magazine 150mm Spare Part kits

Mirka Code	Item	Description	Kit	Qty	Tightening Torque
<b>MAC1021011</b>	<b>Manual Switch kit</b>				
	1	Valve 5/2		1	
	2	Manual Switch	A	1	
	13	Pneumatic Fitting		2	
	14	Pneumatic Fitting		3	
<b>MAC1021041</b>	<b>Pressure Regulator kit</b>				
	3	Pneumatic Fitting	B	2	
	4	Pneumatic Regulator		1	
<b>MAC1021071</b>	<b>Cartridge Lock Cylinder kit</b>				
	5	Screw M4x10 mm		1	
	6	Speed Controller Fitting	C	2	
	7	Bottom Bracket Cylinder		1	
	8	Screw M3x60 mm		2	
<b>MAC1021101</b>	<b>Extruder Cylinder kit</b>				
	6	Speed Controller Fitting		2	
	9	Screw M5x10 mm	D	4	
	10	Cylinder		1	
	11	Mounting for Sensor		2	
	12	Sensor		2	
<b>MAC1022151</b>	<b>Bottom Bracket and Frame kit</b>				
	15	Extruder Plate		1	
	16	Bottom Bracket	E	1	
	17	Bottom Frame		1	
	18	Screw 5x12 mm		4	
<b>MAC1021301</b>	<b>Y-Splitter Signal Cable kit</b>				
	29	Screw M4x20 mm	F	1	
	30	Cable Y-splitter		1	
<b>MAC1021321</b>	<b>Y-Splitter Pneumatic kit</b>				
	31	Screw M3x12 mm	G	2	
	32	Pneumatic Y-Fitting		1	
<b>MAC1022201</b>	<b>Bristle Locking Ring kit</b>				
	9	Screw M5x10 mm	H	4	
	20	Bristle Retaining Ring		1	
<b>MAC1022341</b>	<b>Bristle- &amp; Distance Ring kit</b>				
	34A	Bristle Ring	I	1	
	34B	Distance Ring		2	
<b>MAC1022211</b>	<b>Bristle kit - Fine (Standard)</b>				
	21	Bristle, Fine	J	12	

## AutoChanger Magazine 150mm Spare Part kits

Mirka Code	Item	Description	Kit	Qty	Tightening Torque
<b>MAC1062211</b>		<b>Bristle kit - Coarse (Optional)</b>			
	21	Bristle, Coarse	J	12	
<b>MAC1022231</b>		<b>Top Bracket kit</b>			
	18	Screw M5x12 mm		4	
	23	Top Bracket	K	1	
	24	Lever Micro Switch		1	
	25	Screw 3x12 mm		1	
MAC1022191		Housing kit			
	19	Bottom Plate		1	
	22	Top Plate		1	
	26	Rubber Grommet	L	1	
	27	Screw M4x8 mm		16	
	28	Housing		1	

Separate spare parts on next page.

## AutoChanger Magazine 150mm Spare Parts

Mirka Code	Item	Description	Kit	Qty	Tightening Torque
	1	Valve 5/2	A	1	
	2	Manual Switch	A	1	
	3	Pneumatic Fitting	B	2	
	4	Pneumatic Regulator	B	1	
	5	Screw M4x10 mm	C	2	
	6	Speed Controller Fitting	C,D	6	
	7	Bottom Bracket Cylinder	C	2	
	8	Screw M3x60 mm	C	4	
	9	Screw M5x10 mm	D,H	8	
	10	Cylinder	D	1	
	11	Mounting for Sensor	D	2	
	12	Sensor	D	2	
	13	Pneumatic Fitting	A	2	
	14	Pneumatic Fitting	A	3	
	15	Extruder Plate	E	1	
	16	Bottom Bracket	E	1	
	17	Bottom Frame	E	1	
	18	Screw M5x12 mm	E,K	8	
	19	Bottom Plate	L	1	
	20	Bristle Retaining Ring	H	1	
	21	Bristle, Fine (Standard)	J	12	
	21	Bristle, Coarse	J	12	
	22	Top Plate	L	1	
	23	Top Bracket	K	1	
	24	Lever Micro Switch	K	1	
	25	Screw 3x12 mm	K	1	
	26	Rubber Grommet	L	1	
	27	Screw M4x8 mm	L	16	
	28	Housing	L	1	
	29	Screw M4x20 mm	F	1	
	30	Cable Y-splitter	F	1	
	31	Screw M3x12 mm	G	4	
	32	Pneumatic Y-Fitting	G	2	
<b>MAC1011331</b>	33	<b>Signal Connecting Cable M12</b>		1	
	34A	Bristle Ring	I	1	
	34B	Distance Ring	I	2	