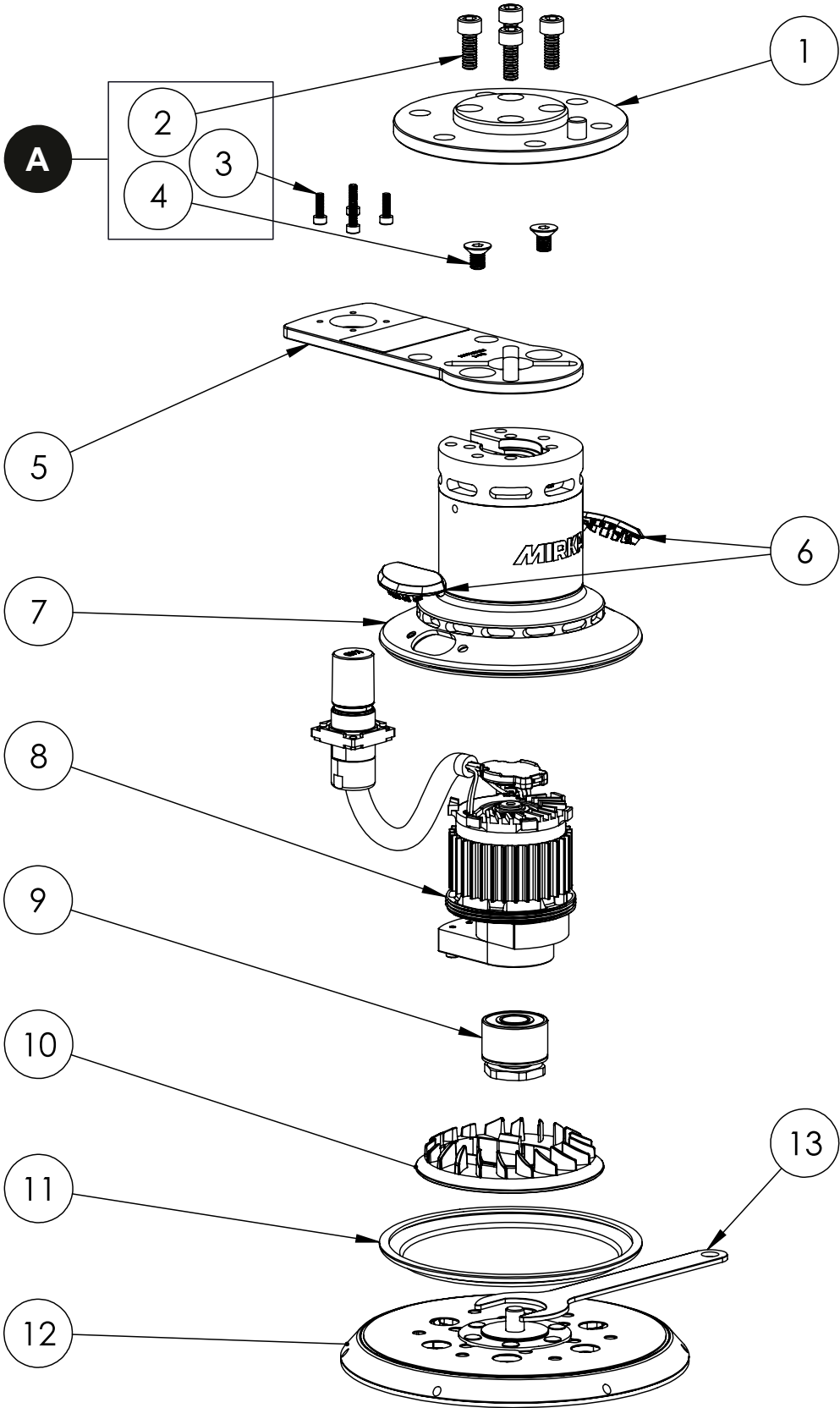


Exploded view of AIROS 650NV

Updated 28.10.2021



AIROS 650NV 150mm Spare Part kits (48V)

Electrical tool must be serviced by a qualified repair person and in accordance with national requirements.

Note! Repairs done by non-authorized repairer will breach the Mirka warranty.

Mirka Code	Item	Description	Kit	Qty	Tightening Torque
MIA6520211		Screw kit			
	2	Screw M6x16	A	4	10 Nm
	3	Screw M3x10		4	1,5 Nm
	4	Screw M6x10		2	8 Nm

AIROS 650NV 150mm Spare Parts (48V)

Mirka Code	Item	Description	Kit	Qty	Tightening Torque
MIA6510111	1	Flange ISO 9409-1-80-6-M8		1	
	2	Screw M6x16	A	4	10 Nm
	3	Screw M3x10	A	4	1,5 Nm
	4	Screw M6x10	A	2	8 Nm
MIA6510611	5	Connector Plate		1	
MIA6512011	6	Dust Cap		2	
MIA6510912	7	Housing *		1	
MIA6521312	8	Motor *		1	50 Nm
MIE6536011	9	Spindle Bearing Dual Seal kit 125/150mm		1	
MIE6511211	10	Fan 5,0mm/130g Pad		1	
8995603211	11	Brake Seal		1	
8295297111	12	Backing Pad 150mm 5/16" Grip Medium		1	
8995604121	13	Pad Wrench 24mm		1	

* Spare parts only available to authorized repairers.