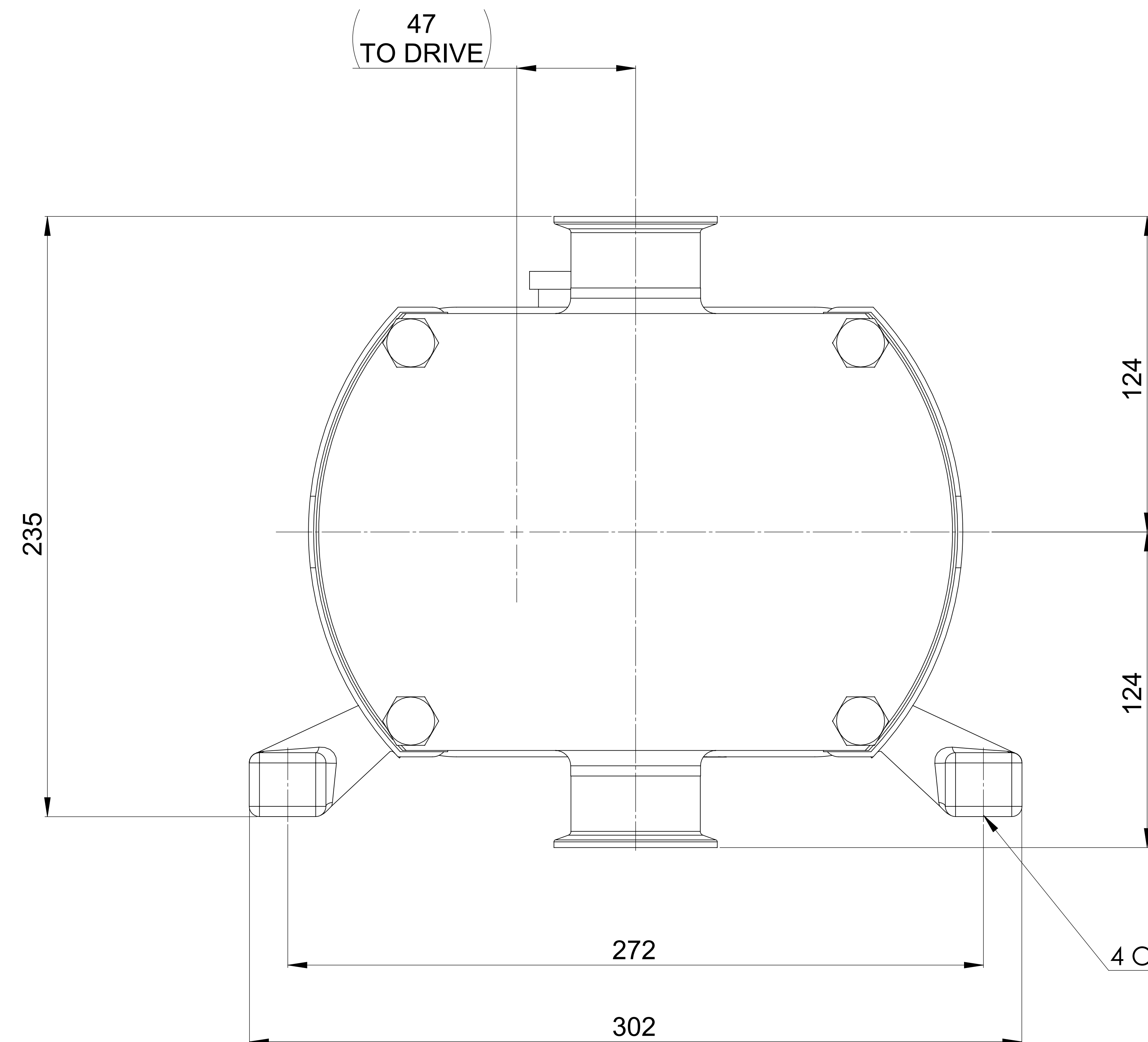
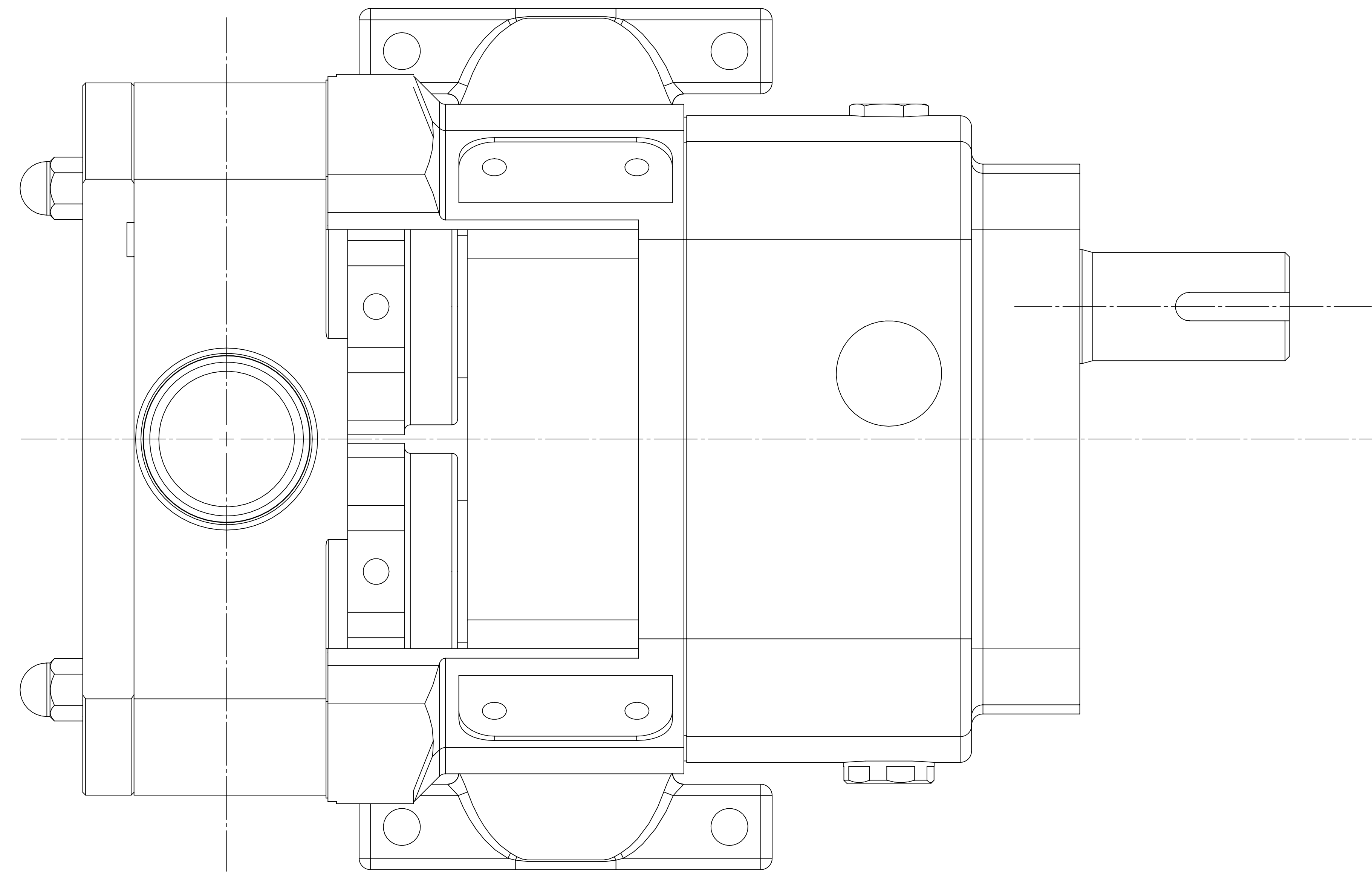


GENERAL ARRANGEMENT DETAILS

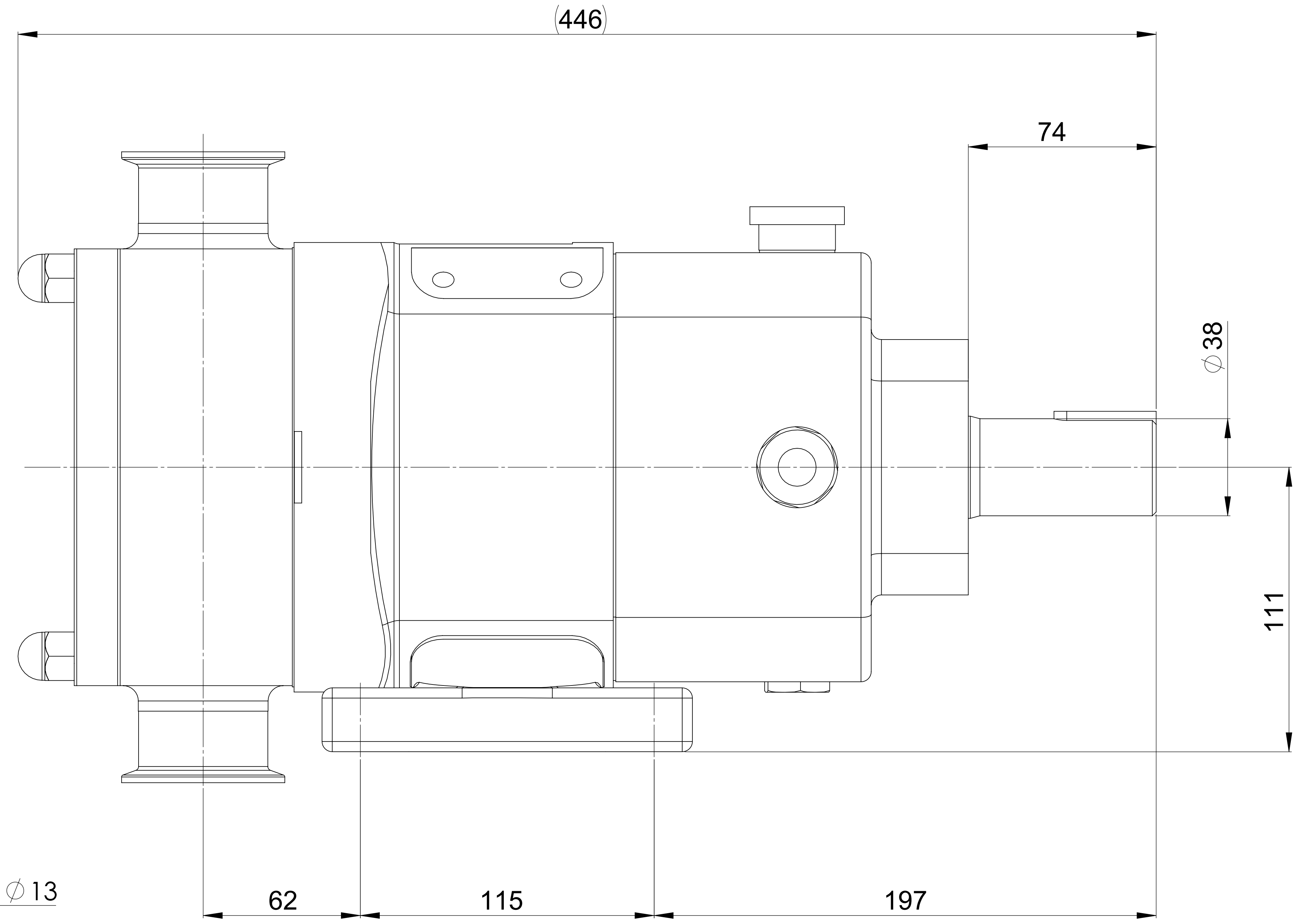
PUMP INFORMATION

PUMP MODEL	MULTIPUMP MP30/0069/12
INLET CONNECTION	2" Tri-Clamp
OUTLET CONNECTION	2" Tri-Clamp
SPECIAL FEATURES	NONE

THIS IS NOT A CERTIFIED DRAWING, USE FOR GENERAL INSTALLATION ONLY



4 OFF HOLES Ø 13



**wright flow**  
**TECHNOLOGIES**  
 HIGHFIELD INDUSTRIAL ESTATE,  
 EASTBOURNE,  
 EAST SUSSEX, BN23 6PT  
 TEL: (+44) 1323 509211

**COPYRIGHT:**  
 THIS DRAWING IS THE SOLE  
 PROPERTY OF  
**WRIGHT FLOW TECHNOLOGIES LTD.**  
 IT MUST NOT BE COPIED OR USED  
 IN PART OR FULL WITHOUT PRIOR  
 WRITTEN CONSENT.

UNLESS OTHERWISE STATED:  
 ALL DIMENSIONS ± 2.50  
 ANGLES ± 2.0°  
 DO NOT SCALE THIS DRAWING  
 REMOVE BURRS AND SHARP EDGES  
 DIMENSIONS IN MILLIMETRES  
**IF IN DOUBT ASK**

PROJECTION	DRAWN	CHECKED
	MR	KCB

ISSUE	A	31/08/2017
AMENDMENT	ISSUE	DATE
TITLE: <b>GENERAL ARRANGEMENT</b>		
DRG. NO: <b>GA3739</b>		