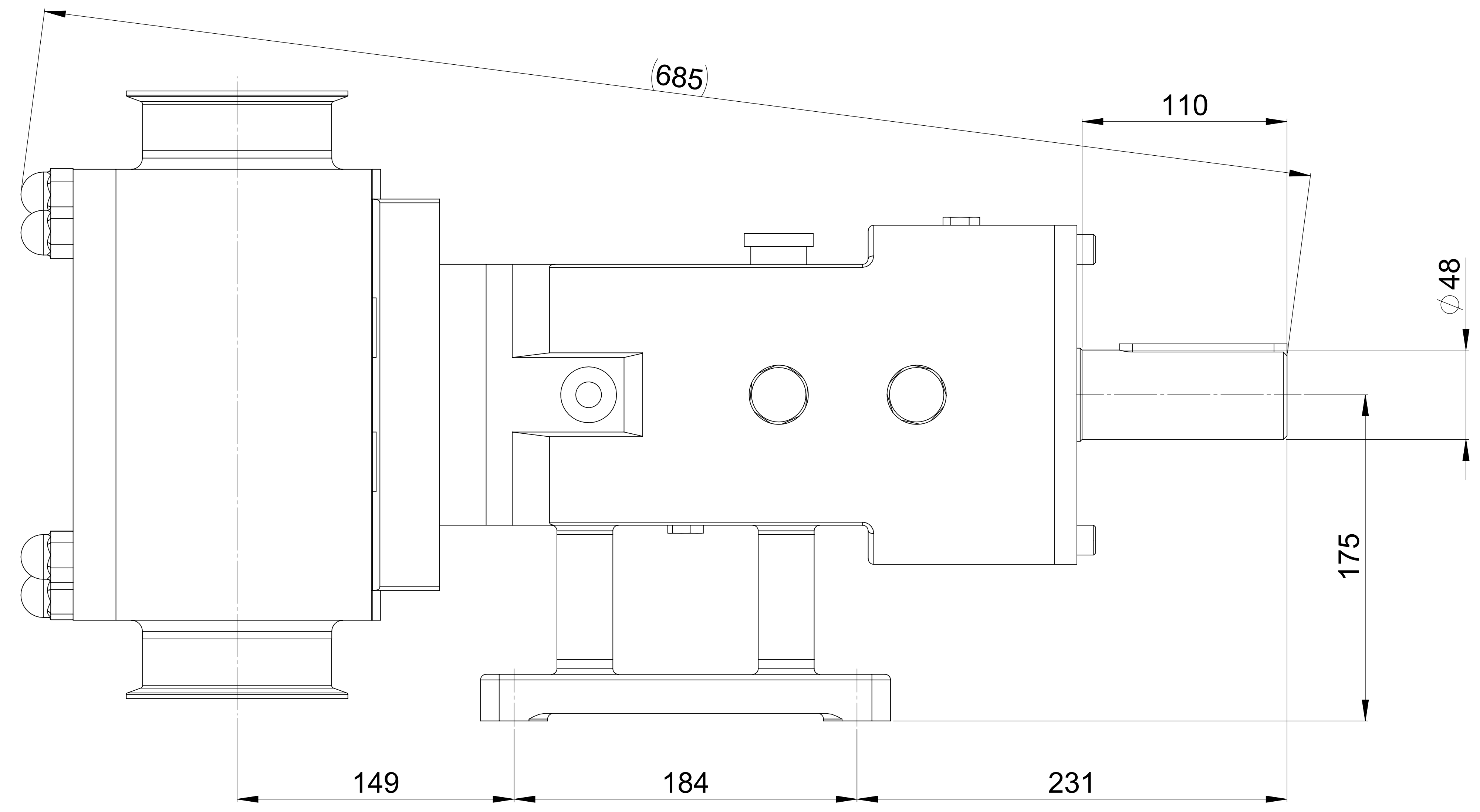
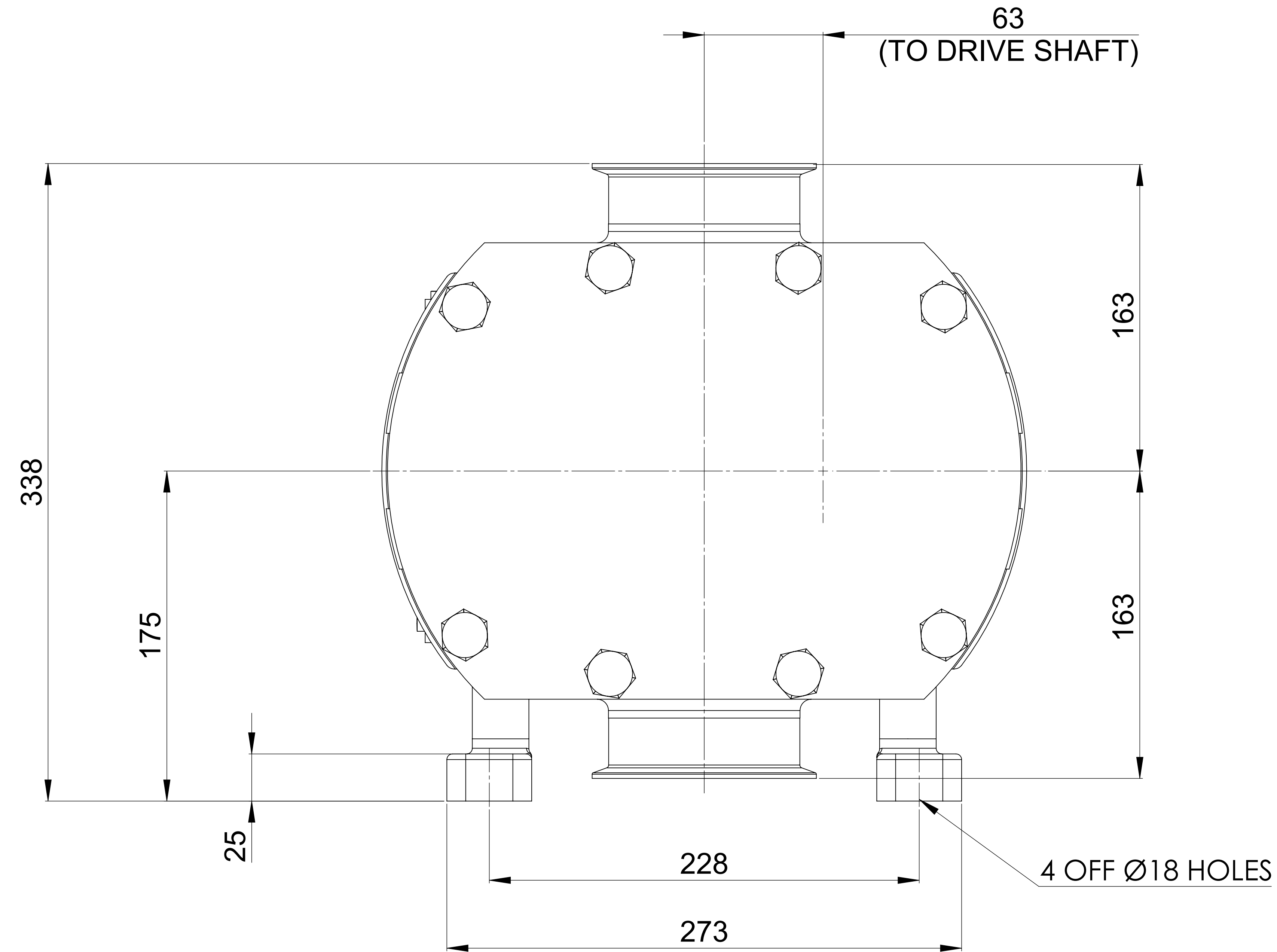
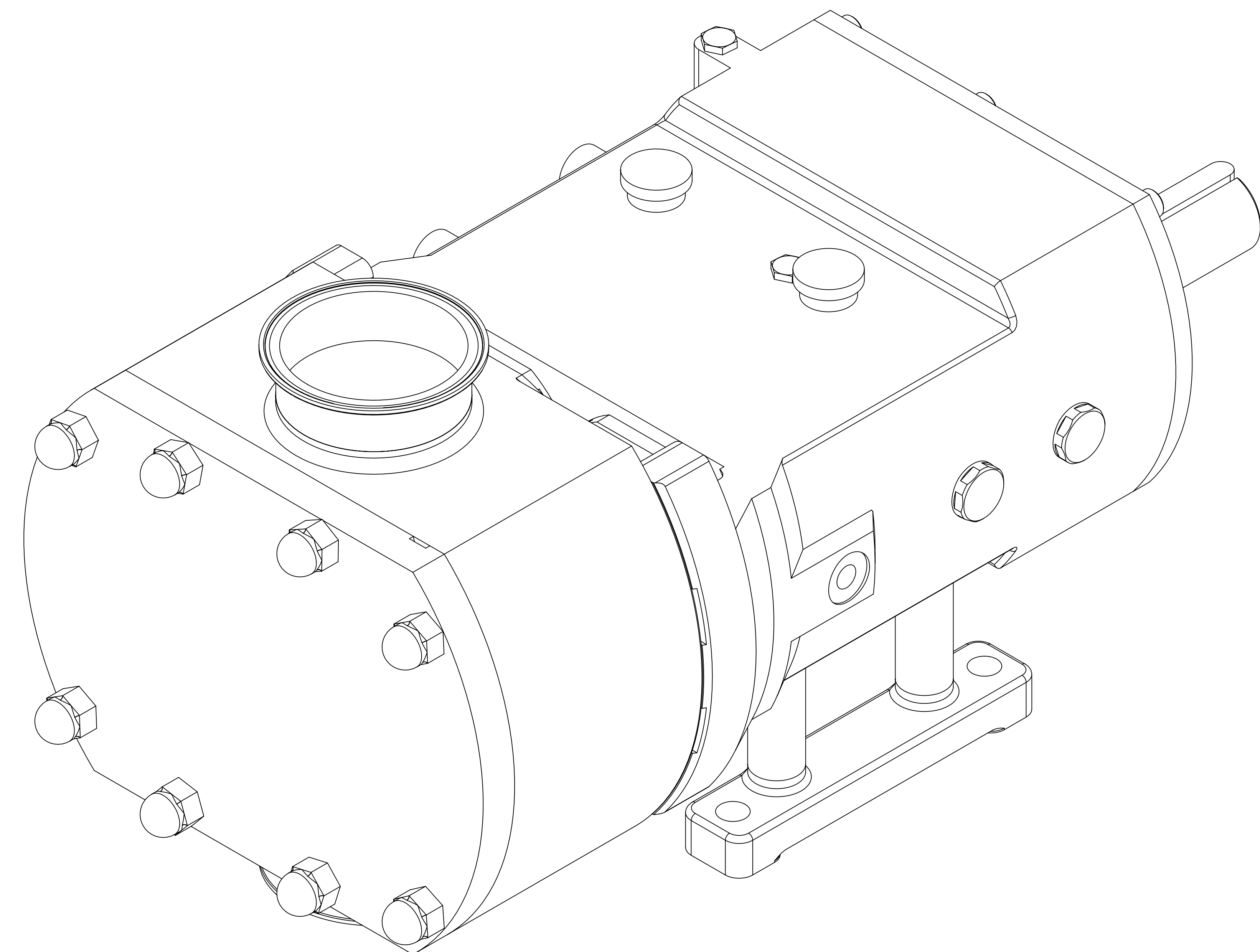


**GENERAL ARRANGEMENT DETAILS**

**PUMP INFORMATION**

|                   |                       |
|-------------------|-----------------------|
| PUMP MODEL        | CLASSIC+ CP40/0250/07 |
| INLET CONNECTION  | 4" TRI-CLAMP          |
| OUTLET CONNECTION | 4" TRI-CLAMP          |
| SPECIAL FEATURES  | NONE                  |

THIS IS NOT A CERTIFIED DRAWING, USE FOR GENERAL INSTALLATION ONLY



|           |       |            |
|-----------|-------|------------|
| ISSUED    | A     | 21/10/2019 |
| AMENDMENT | ISSUE | DATE       |

**wright flow**  
TECHNOLOGIES  
HIGHFIELD INDUSTRIAL ESTATE,  
EASTBOURNE,  
EAST SUSSEX, BN23 6PT  
TEL: (+44) 1323 509211

**COPYRIGHT:**  
THIS DRAWING IS THE SOLE  
PROPERTY OF  
**WRIGHT FLOW TECHNOLOGIES LTD.**  
IT MUST NOT BE COPIED OR USED  
IN PART OR FULL WITHOUT PRIOR  
WRITTEN CONSENT.

UNLESS OTHERWISE STATED:  
ALL DIMENSIONS ± 2.50  
ANGLES ± 2.0°  
DO NOT SCALE THIS DRAWING  
REMOVE BURRS AND SHARP EDGES  
DIMENSIONS IN MILLIMETRES  
**IF IN DOUBT ASK**

|            |       |         |
|------------|-------|---------|
| PROJECTION | DRAWN | CHECKED |
|            | DSB   | IPJB    |

|          |                     |
|----------|---------------------|
| TITLE:   | GENERAL ARRANGEMENT |
| DRG. NO: | <b>GA4267</b>       |