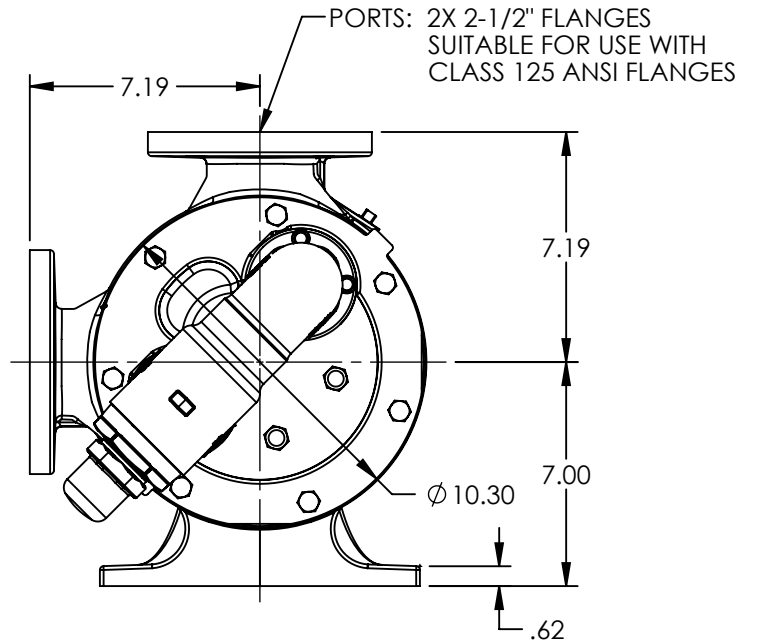
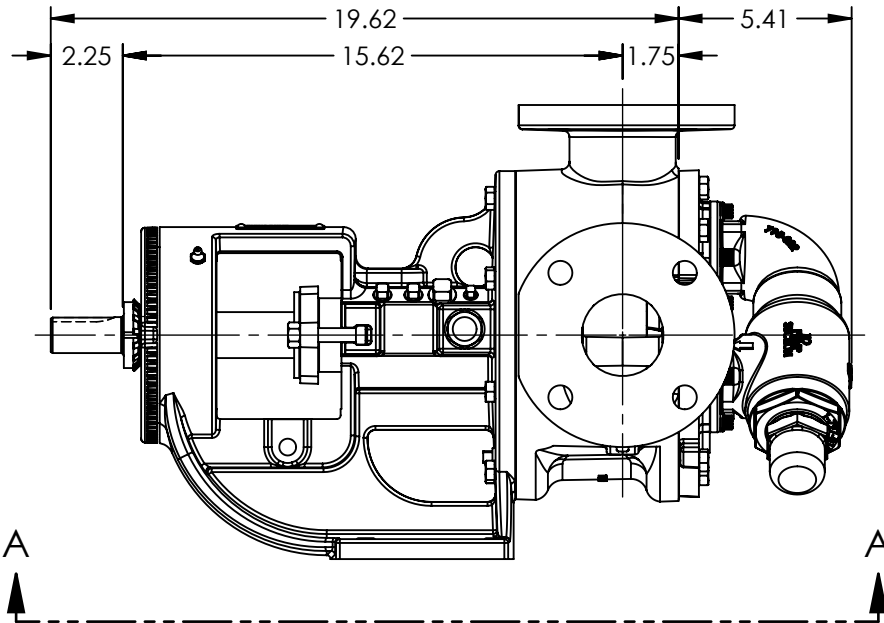


VIEW A-A



- NOTES:
 1. ALL DIMENSIONS ARE FOR REFERENCE ONLY.
 2. HEATER CONDUIT HIDDEN FOR CLARITY.

STANDARD MODEL: LQ124E

STATE	Released	08/09/2018
DRAWN	tdutcher	5/9/2011
CHECKED	SJJ	08/09/2018

DIMENSIONS ARE IN INCHES
PROJECT: D380
WAS:

**VIKING
PUMP**

VIKING PUMP, INC.
 A Unit of IDEX Corporation
 Cedar Falls, IA 50613
 U.S.A.

THIS DRAWING IS THE PROPERTY OF
 VIKING PUMP, INC. AND IS PROPRIETARY
 IN GENERAL AND DETAIL. IT SHALL NOT BE
 COPIED OR ITS CONTENTS REVEALED TO
 OUTSIDE PARTIES WITHOUT THE WRITTEN
 CONSENT OF VIKING PUMP, INC.

3D

DWG. NO.
 LV-4128

SHEET 1 OF 1

REV. C.0

08/09/2018