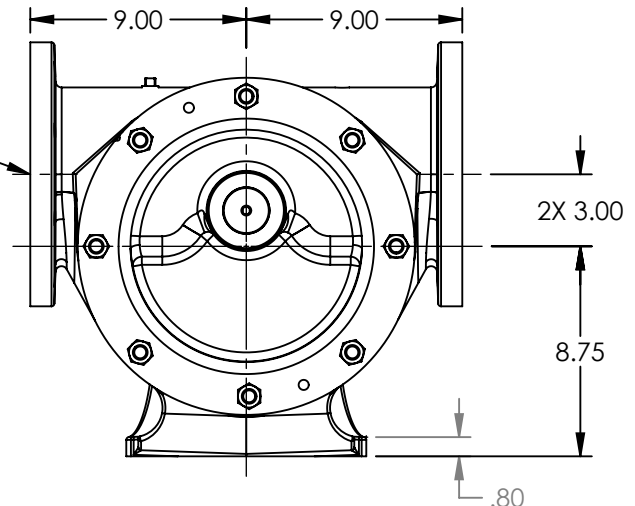
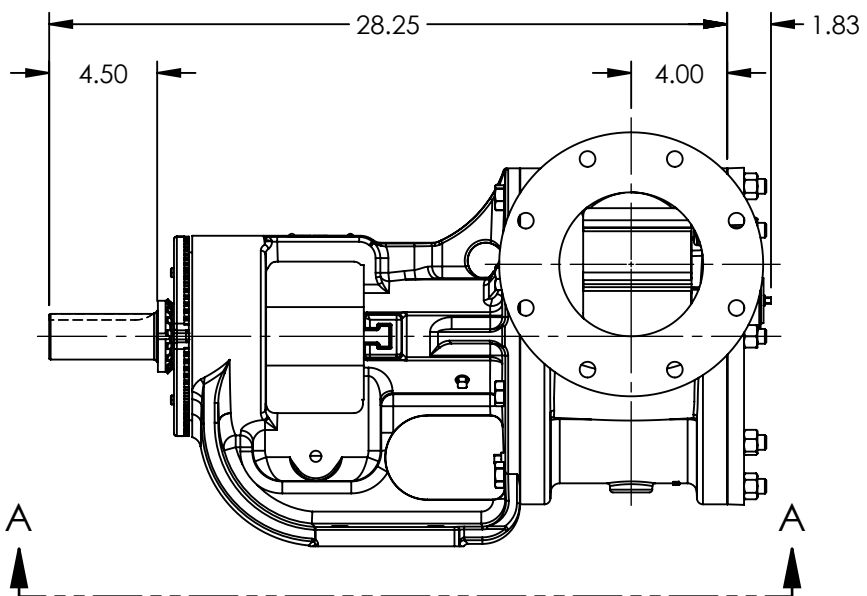


VIEW A-A

PORTS: 2X 6" FLANGES
 STUDS AND NUTS (NOT SHOWN)
 SUITABLE FOR USE WITH
 CLASS 125 ANSI FLANGES
 (124A, 1124A, 4124A, 4124B, 4624B)
 CLASS 150 ANSI FLANGES
 (123A, 4123A, 126A, 4126A, 127A, 1127A, 4127A)



STANDARD MODELS:
 QS124A, QS1124A, QS4124A, QS4124B, QS123A, QS4123A, QS126A, QS4126A,
 QS127A, QS1127A, QS4127A, QS4624B

NOTES:
 1. ALL DIMENSIONS ARE FOR REFERENCE ONLY.

STATE	Released	11/08/2019
DRAWN	sjakel	05/09/2019
CHECKED	AA	11/08/2019

DIMENSIONS ARE IN
 INCHES
 PROJECT:
 WAS:



VIKING PUMP, INC.
 A Unit of IDEX Corporation
 Cedar Falls, IA 50613
 U.S.A.

THIS DRAWING IS THE PROPERTY OF
 VIKING PUMP, INC. AND IS PROPRIETARY
 IN GENERAL AND DETAIL. IT SHALL NOT BE
 COPIED OR ITS CONTENTS REVEALED TO
 OUTSIDE PARTIES WITHOUT THE WRITTEN
 CONSENT OF VIKING PUMP, INC.

3D

DWG. NO.
 QV-1867

SHEET 1 OF 1

REV. C.1

11/08/2019