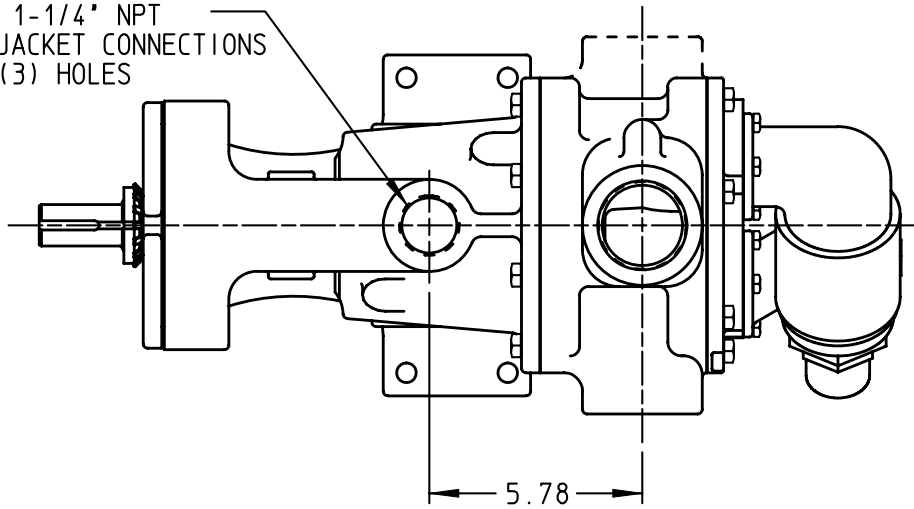
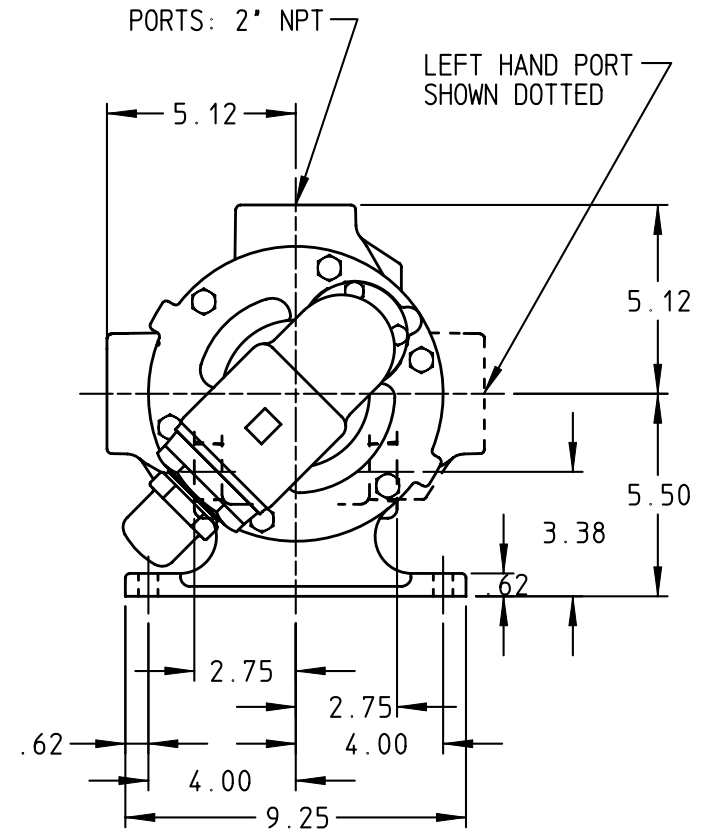
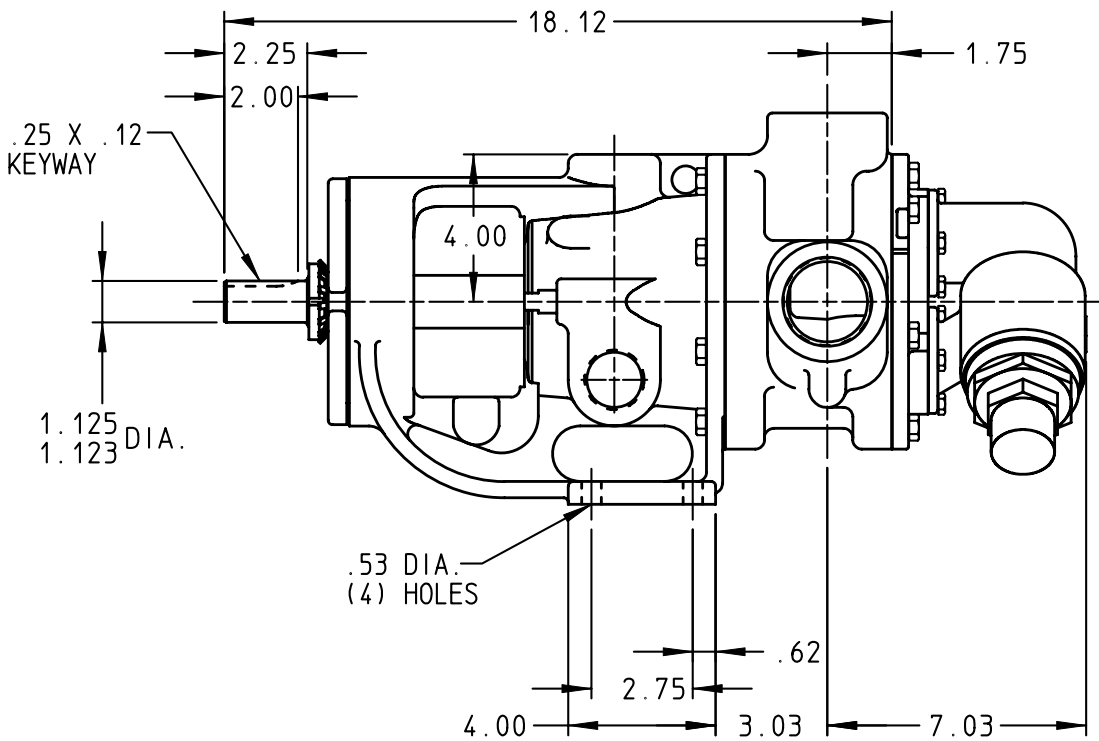


1-1/4" NPT
 JACKET CONNECTIONS
 (3) HOLES



DRAWING NO.
KV-2306



STANDARD MODELS: K224A, K4224A, K4224B, KK224A, KK4224A, KK4224B, K226A, K4226A, KK226A, KK4226A

DRAWN CRAWFORD DATE 02 NOV 2006
 CHECKED CJI DATE 07 NOV 2006

THIS DRAWING IS THE PROPERTY OF VIKING PUMP INC. AND IS PROPRIETARY IN GENERAL AND DETAIL. IT SHALL NOT BE COPIED OR ITS CONTENTS REVEALED TO OUTSIDE PARTIES WITHOUT THE WRITTEN CONSENT OF VIKING PUMP INC.



VIKING PUMP, INC.
 A Unit of IDEX Corporation
 Cedar Falls, Iowa 50613
 U.S.A.

DRAWING NO.
KV-2306

REV. B
 04 SEP 2007