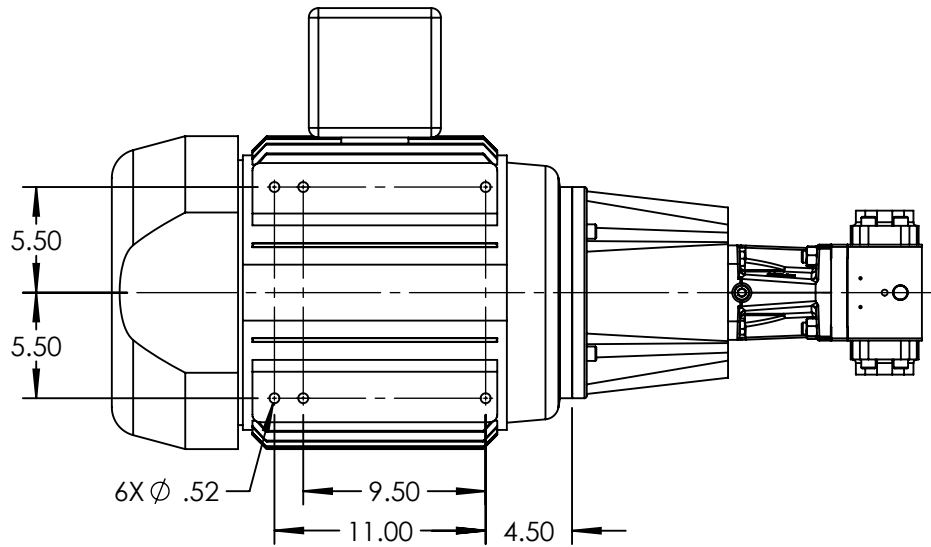
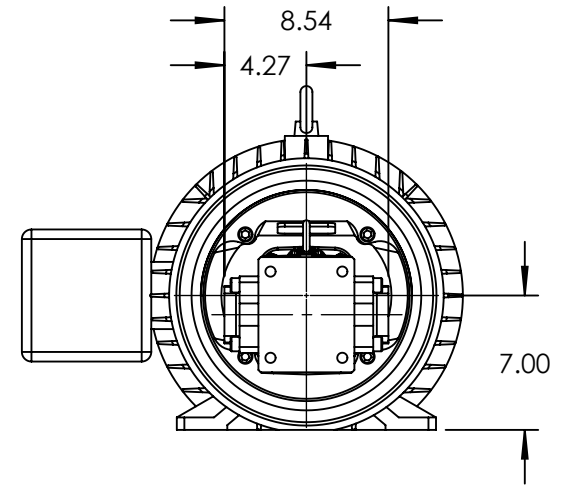
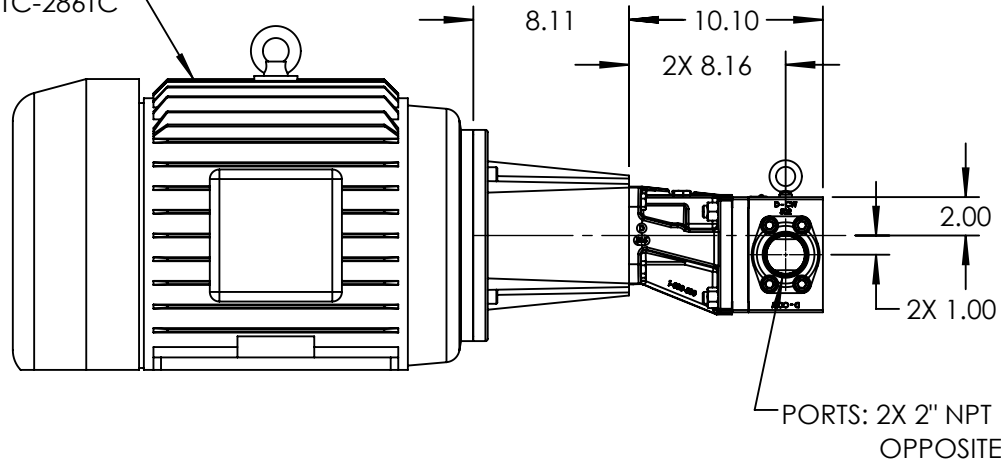


MOTOR FRAMES:  
284TC-286TC



MODELS: GL-41009-G0A-M, GL-41009-G1A-M, GL-41009-G0B-M, GL-41009-G1B-M

NOTES:  
1. ALL DIMENSIONS ARE FOR REFERENCE ONLY.

STATE	Released	12/07/2018
DRAWN	AMeek	10/16/2018
CHECKED	JDP	12/07/2018

DIMENSIONS ARE IN INCHES
PROJECT: E299
WAS:



VIKING PUMP, INC.  
A Unit of IDEX Corporation  
Cedar Falls, IA 50613  
U.S.A.

THIS DRAWING IS THE PROPERTY OF VIKING PUMP, INC. AND IS PROPRIETARY IN GENERAL AND DETAIL. IT SHALL NOT BE COPIED OR ITS CONTENTS REVEALED TO OUTSIDE PARTIES WITHOUT THE WRITTEN CONSENT OF VIKING PUMP, INC.

3D

DWG. NO.	SHEET 1 OF 1
GPV-1009-018-U	

REV. A.0
12/07/2018