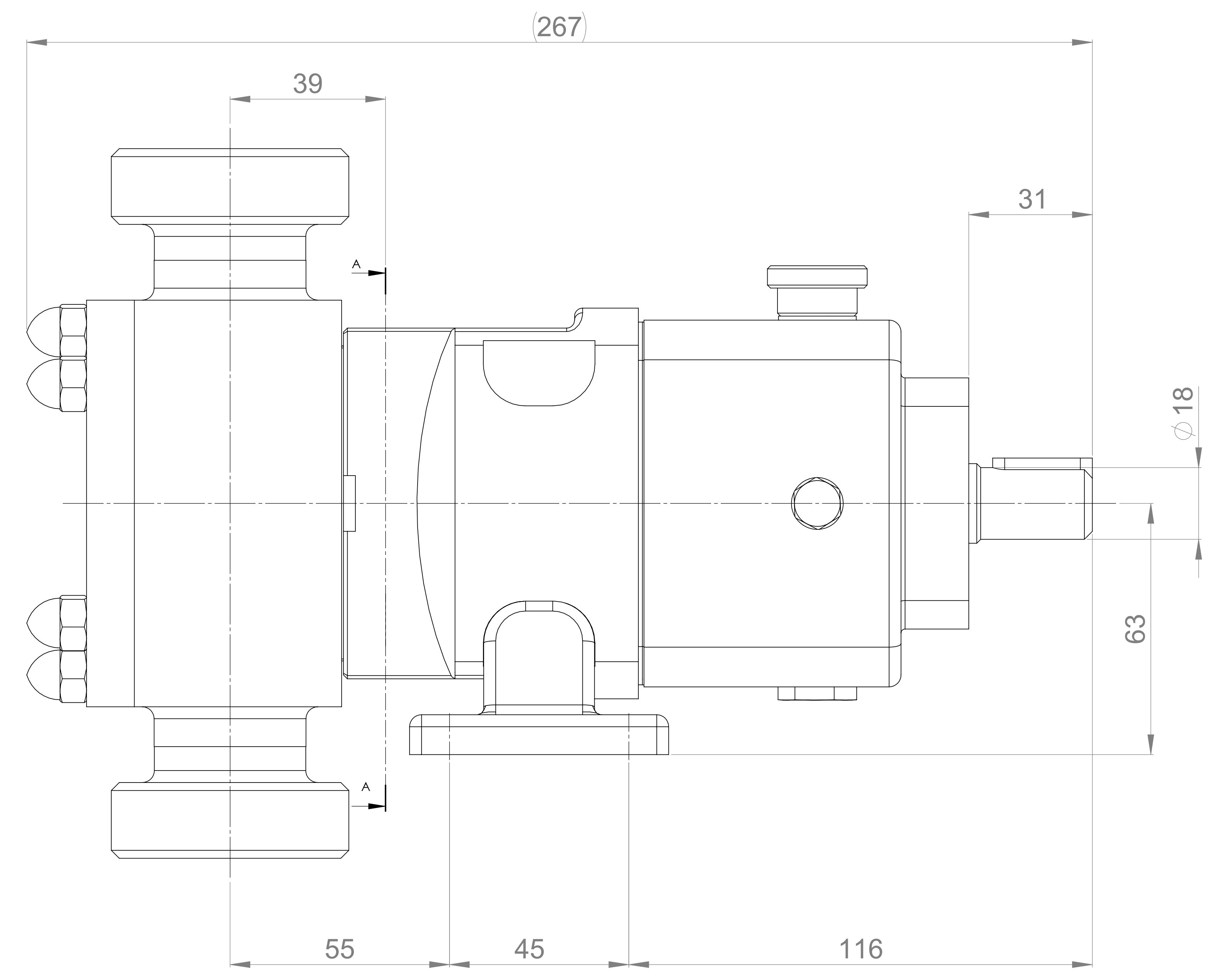
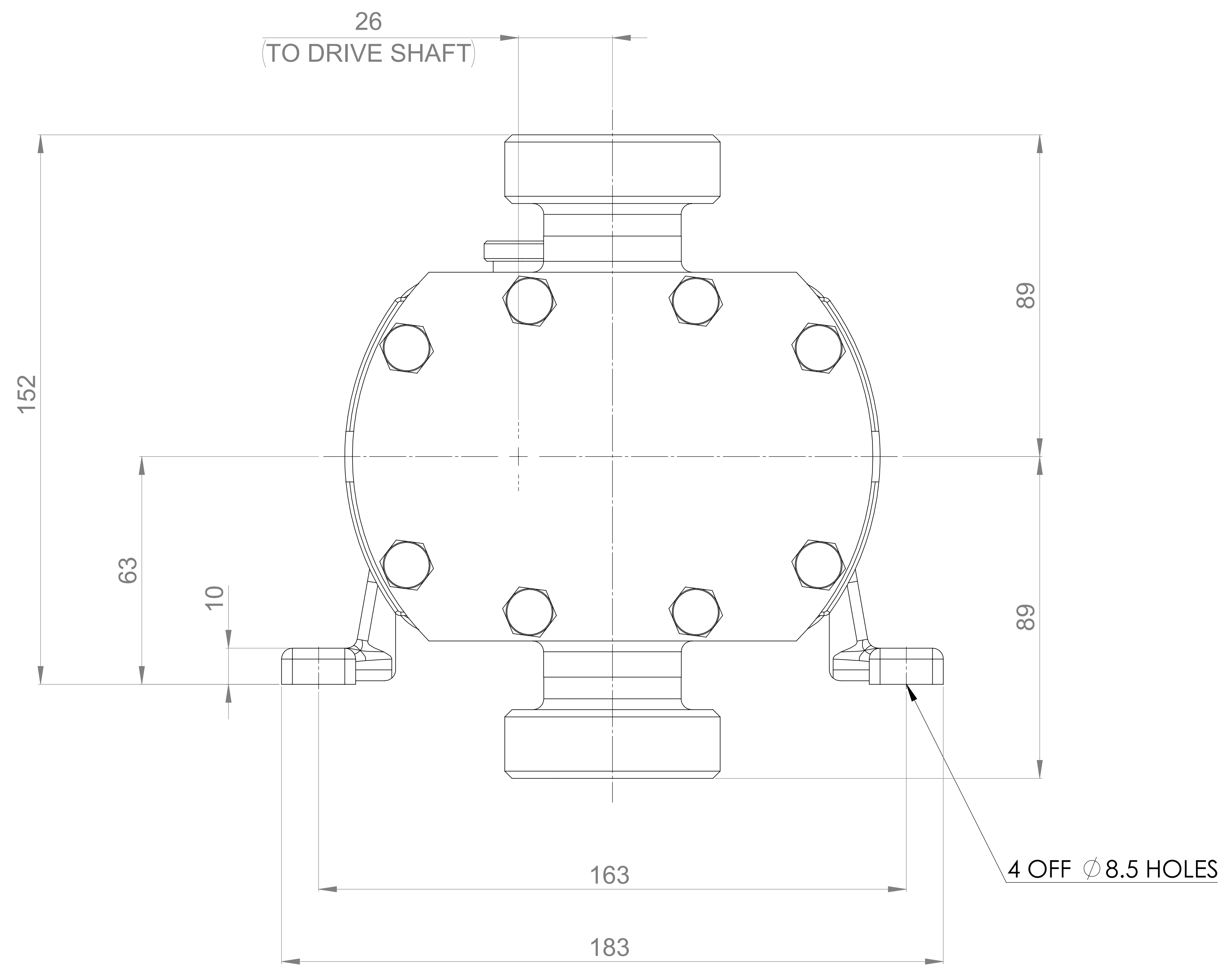
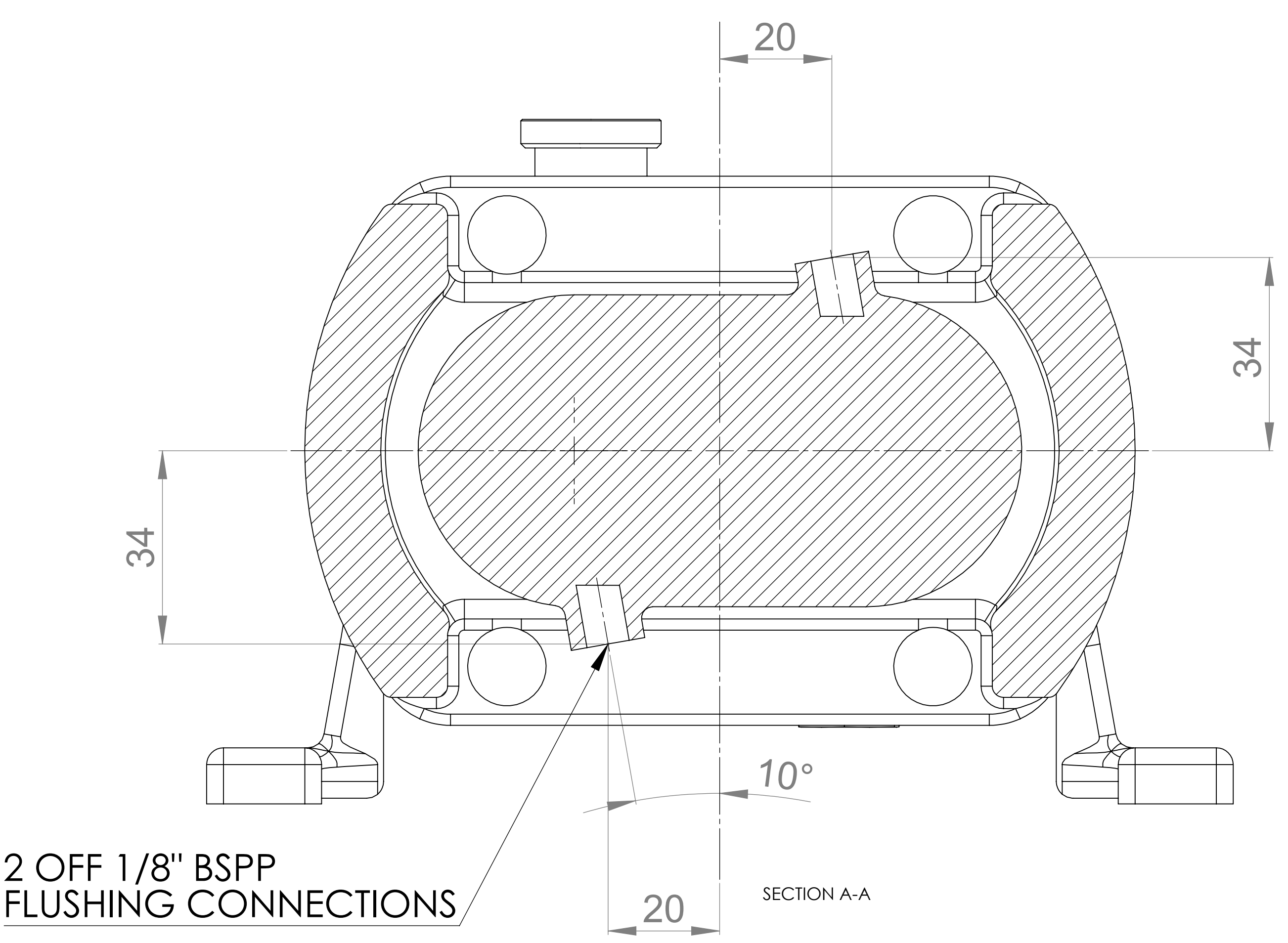


GENERAL ARRANGEMENT DETAILS	
PUMP INFORMATION	
PUMP MODEL	CLASSIC+ CP10/0008/08
LEFT/TOP CONNECTION	1.5" SMS Male
RIGHT/BOTTOM CONNECTION	1.5" SMS Male
DRIVE SHAFT POSITION	LEFT HAND DRIVE
PUMP ADDITIONS	FLUSHING

THIS IS NOT A CERTIFIED DRAWING, USE FOR GENERAL INSTALLATION ONLY



ISSUED	A	01/04/2020
AMENDMENT	ISSUE	DATE

wright flow
TECHNOLOGIES
HIGHFIELD INDUSTRIAL ESTATE,
EASTBOURNE,
EAST SUSSEX, BN23 6PT
TEL: (+44) 1323 509211

COPYRIGHT:
THIS DRAWING IS THE SOLE
PROPERTY OF
WRIGHT FLOW TECHNOLOGIES LTD.
IT MUST NOT BE COPIED OR USED
IN PART OR FULL WITHOUT PRIOR
WRITTEN CONSENT.

UNLESS OTHERWISE STATED:
ALL DIMENSIONS \pm 2.50
ANGLES \pm 2.0°
DO NOT SCALE THIS DRAWING
REMOVE BURRS AND SHARP EDGES
DIMENSIONS IN MILLIMETRES
IF IN DOUBT ASK

PROJECTION	DRAWN	CHECKED
	IPJB	KCB

TITLE:	GENERAL ARRANGEMENT
DRG. NO:	GA4376