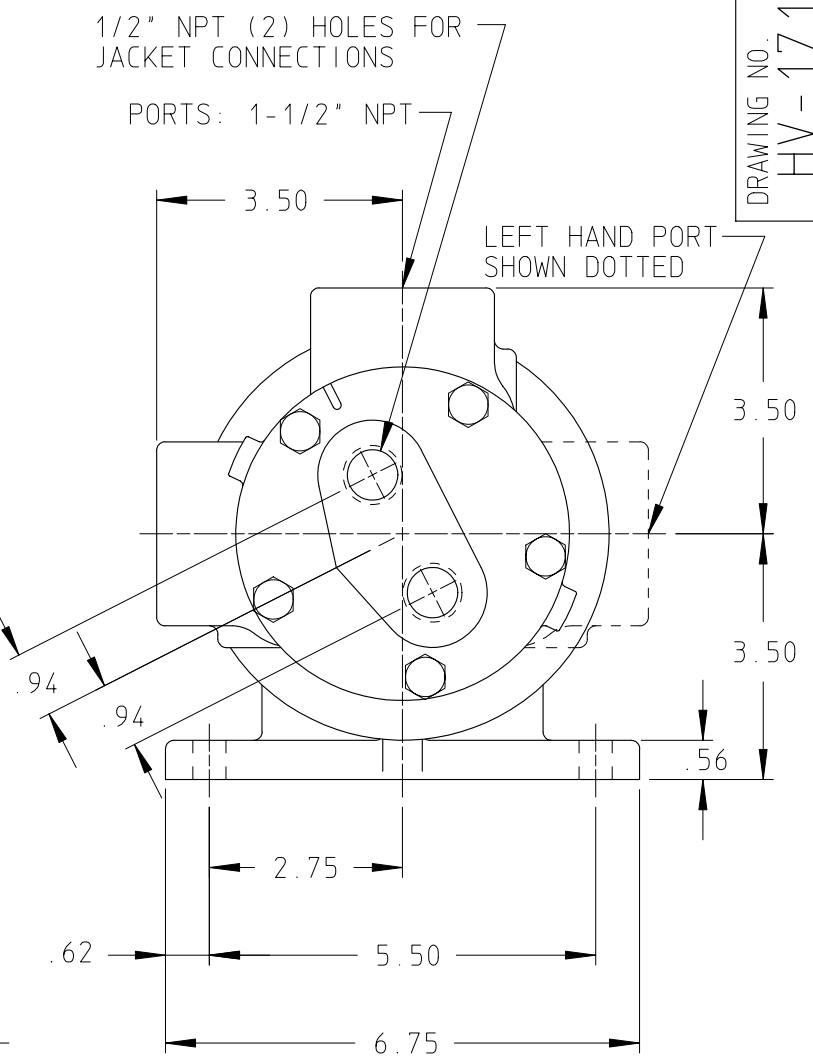
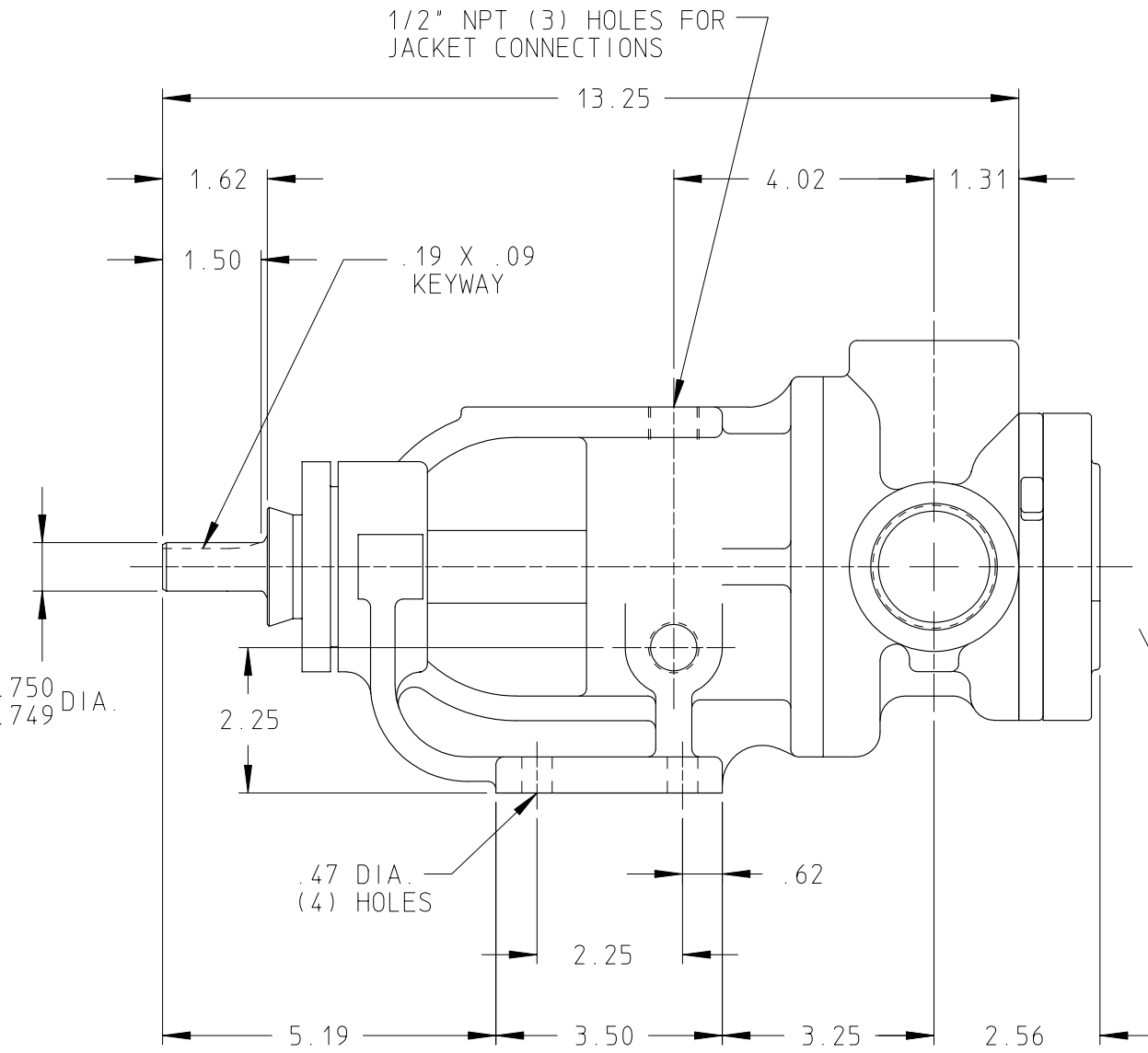


DRAWING NO.  
HV-1710



STANDARD MODELS: H724, H4724, HL724, HL4724

DRAWN DANN DATE 04 DEC 1995  
 CHECKED DC DATE 04 DEC 1995

THIS DRAWING IS THE PROPERTY OF VIKING PUMP INC. AND IS PROPRIETARY IN GENERAL AND DETAIL. IT SHALL NOT BE COPIED OR ITS CONTENTS REVEALED TO OUTSIDE PARTIES WITHOUT THE WRITTEN CONSENT OF VIKING PUMP INC.

**VIKING PUMP**  
 VIKING PUMP, INC.  
 A Unit of IDEX Corporation  
 Cedar Falls, Iowa 50613  
 U.S.A.

DRAWING NO.  
HV-1710

REV. B  
23 JUN 2003