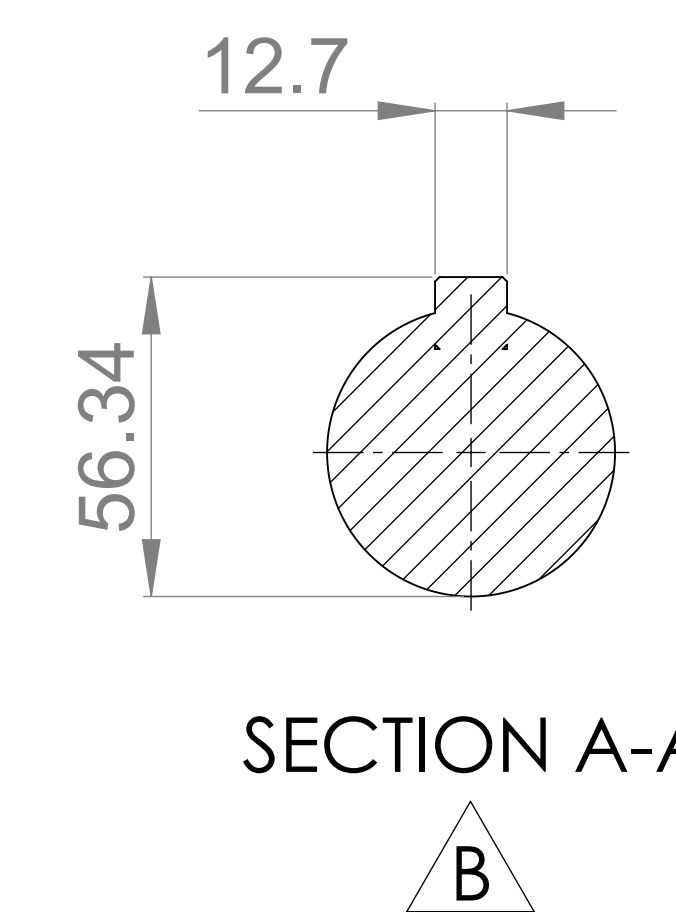
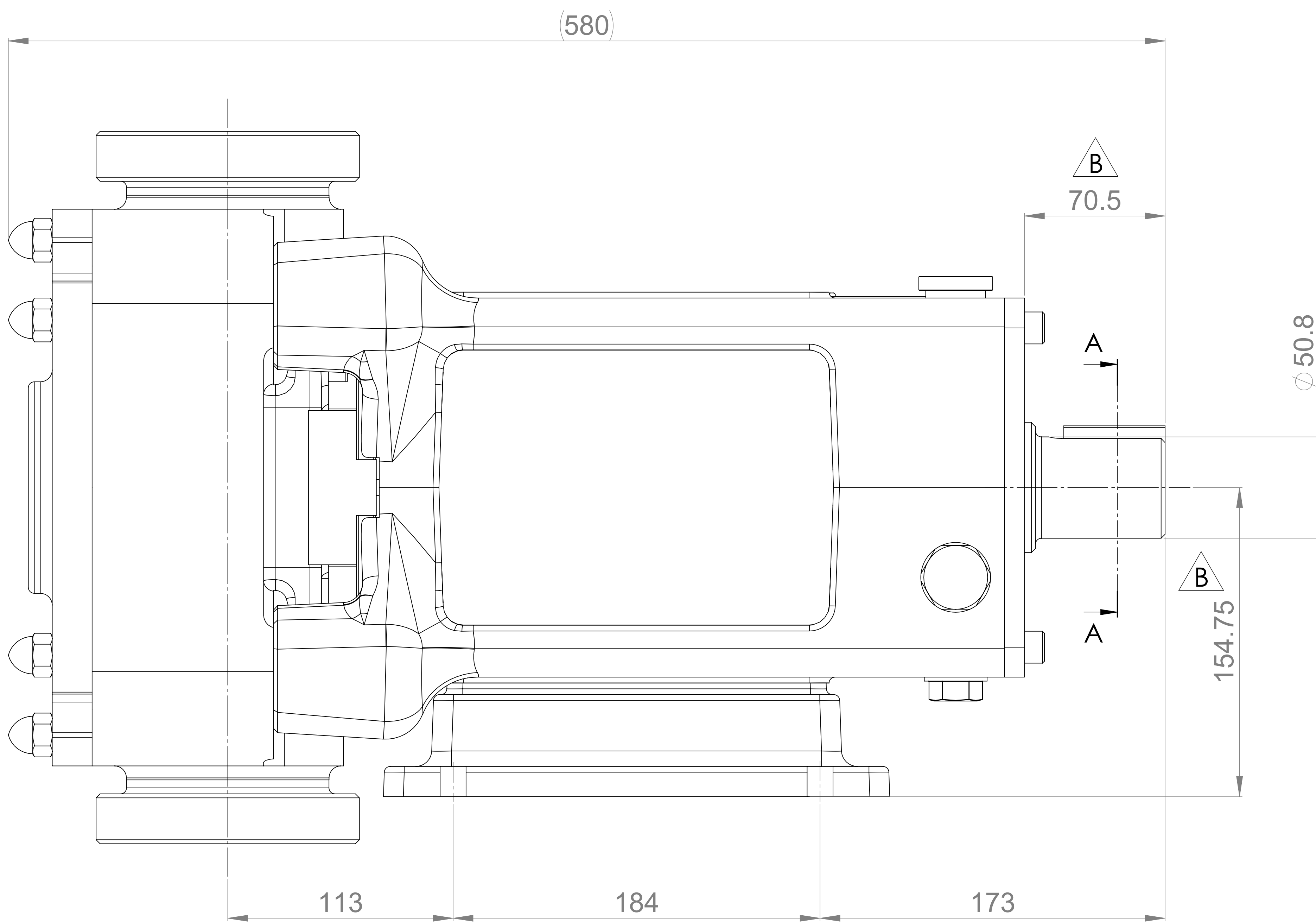
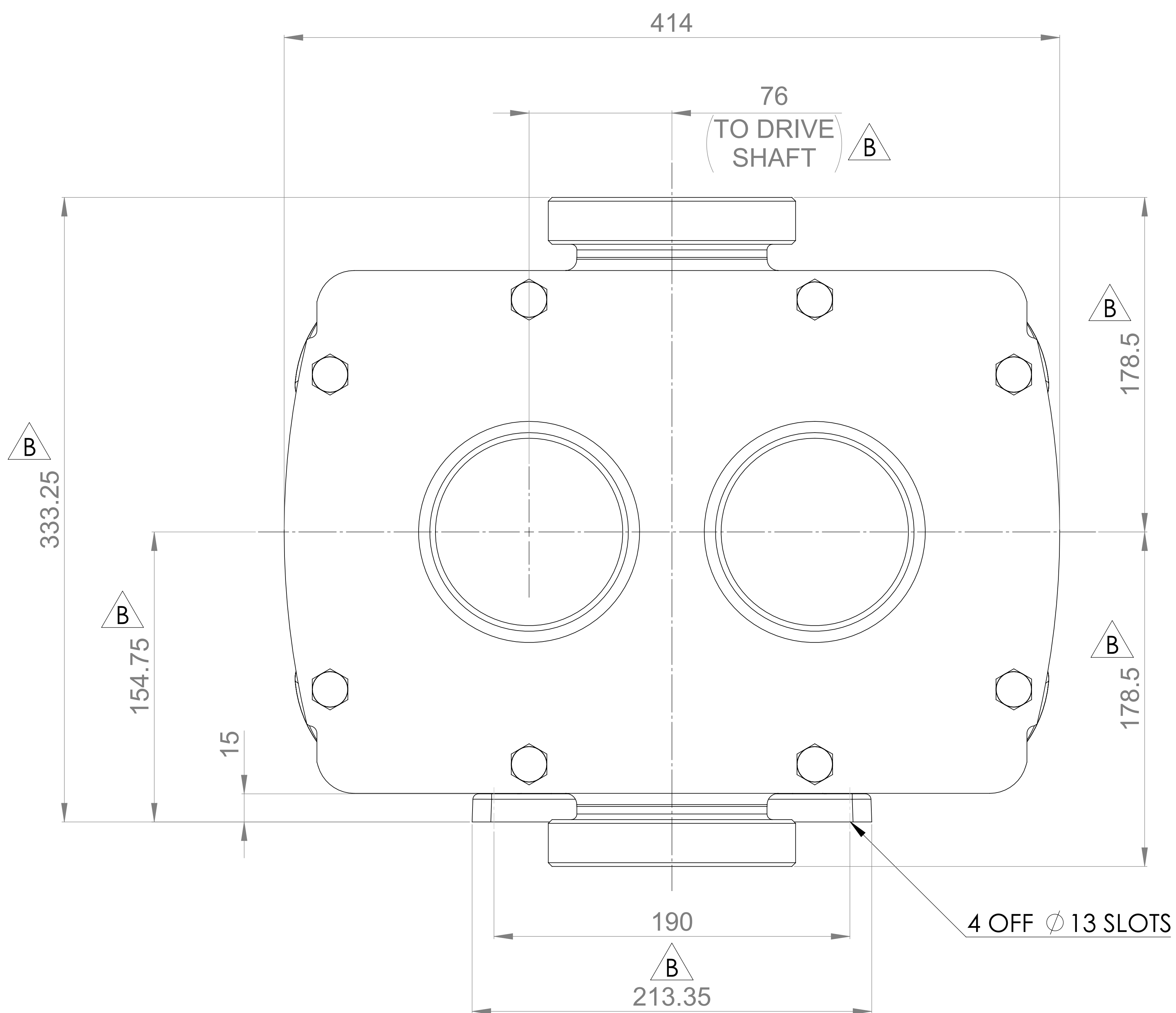
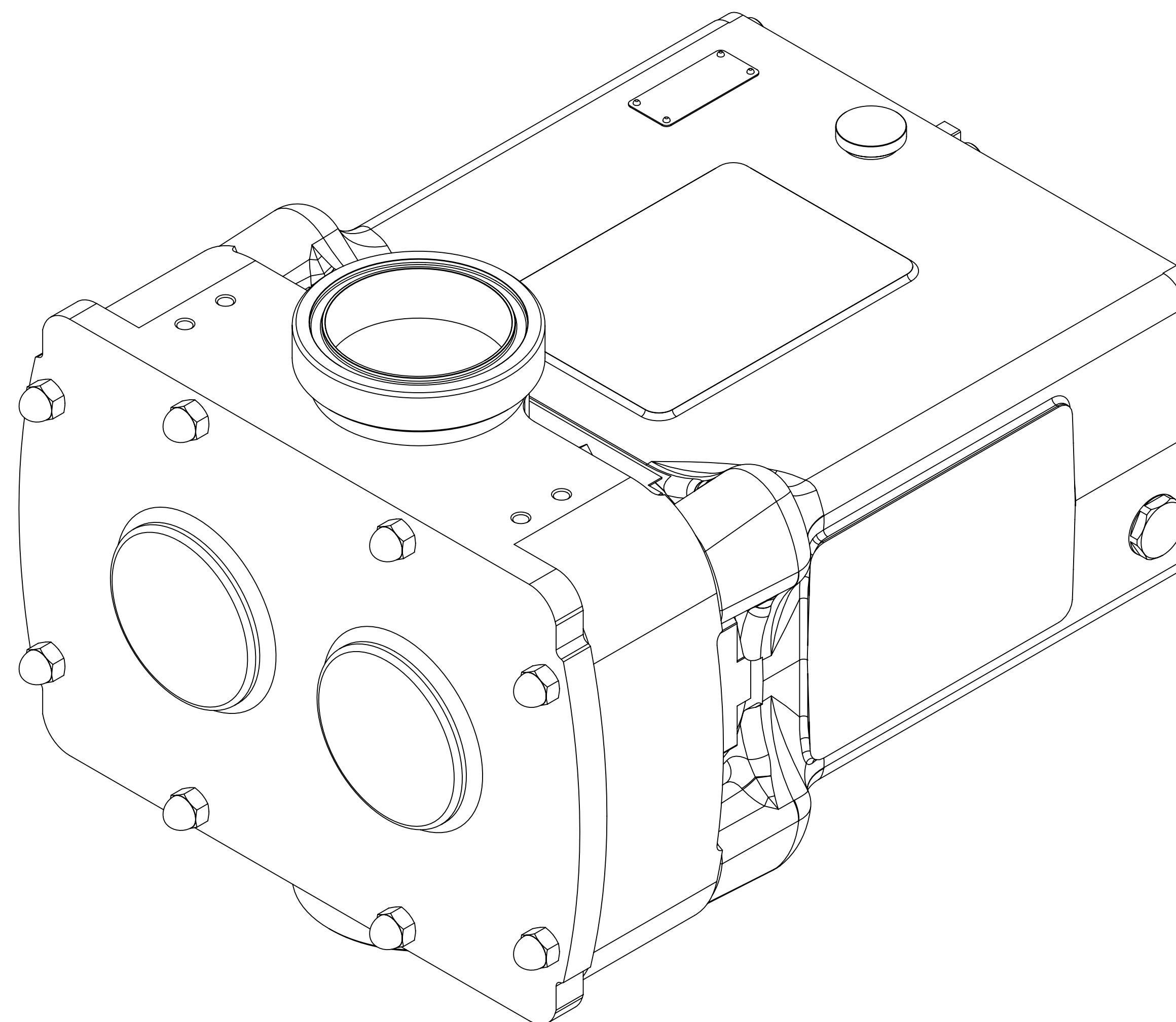


**GENERAL ARRANGEMENT DETAILS**

**PUMP INFORMATION**

PUMP MODEL	REVOLUTION - TWIN WING R2200X/21
LEFT/TOP CONNECTION	4" SMS Male
RIGHT/BOTTOM CONNECTION	4" SMS Male
DRIVE SHAFT POSITION	LEFT HAND DRIVE
FRONT COVER ADDITIONS	STANDARD
ROTORCASE ADDITIONS	STANDARD
GEARBOX ADDITIONS	STANDARD
PUMP ADDITIONS	STANDARD

THIS IS NOT A CERTIFIED DRAWING, USE FOR GENERAL INSTALLATION ONLY



UPDATED FORMAT AND PRECISION	B	02/10/2024
ISSUED	A	16/03/2021
AMENDMENT	ISSUE	DATE

 HIGHFIELD INDUSTRIAL ESTATE, EAST SUSSEX, BN23 6PT TEL: (+44) 1323 509211	<b>COPYRIGHT:</b> THIS DRAWING IS THE SOLE PROPERTY OF VIKING PUMP HYGIENIC LTD. IT MUST NOT BE COPIED OR USED IN PART OR FULL WITHOUT PRIOR WRITTEN CONSENT.	UNLESS OTHERWISE STATED: ALL DIMENSIONS ± 2.50 ANGLES ± 2.0° DO NOT SCALE THIS DRAWING REMOVE BURRS AND SHARP EDGES DIMENSIONS IN MILLIMETRES <b>IF IN DOUBT ASK</b>	PROJECTION	DRAWN	CHECKED	TITLE:
				MEW	KCB	GENERAL ARRANGEMENT
						DRG. NO:
						<b>GA4564</b>