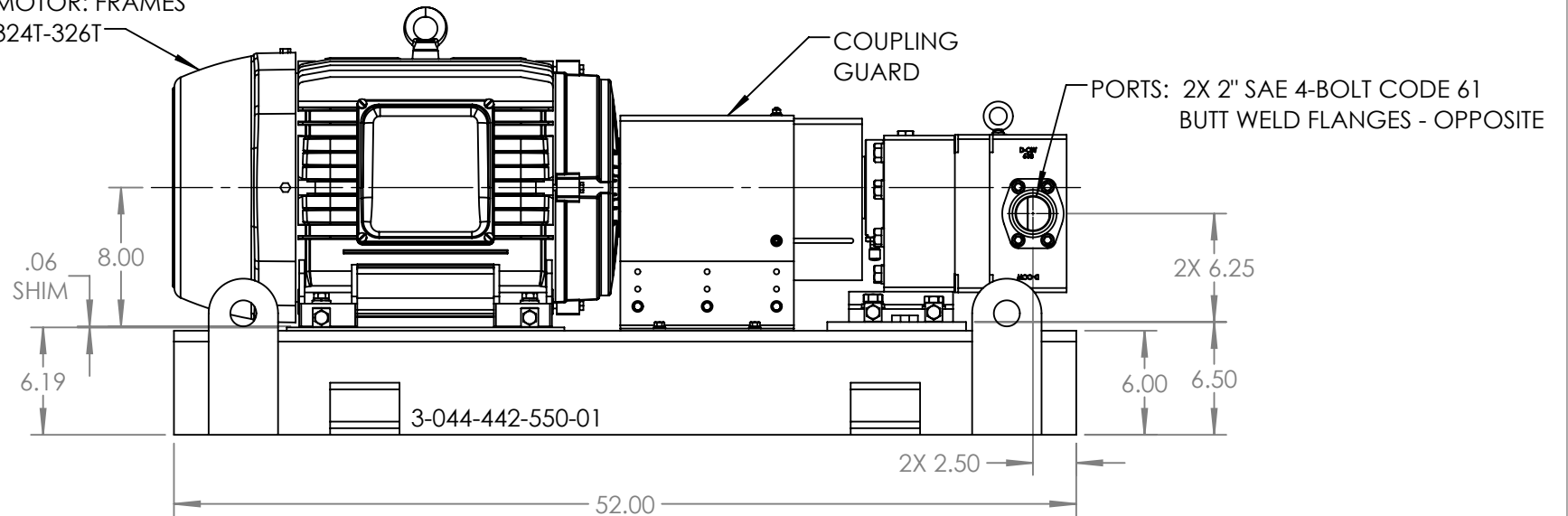


MOTOR: FRAMES  
324T-326T



PORTS: 2X 2" SAE 4-BOLT CODE 61  
BUTT WELD FLANGES - OPPOSITE

MODELS: GP-41420-G00-D, GP-41420-G10-D, GP-41420-N00-D, GP-41420-N10-D,  
GP-41420-K00-D, GP-41420-K10-D, GB-41420-K00-D, GB-41420-K10-D,  
GB-41420-N00-D, GB-41420-N10-D, GB-41420-R00-D, GB-41420-R10-D

NOTES:

1. COUPLING GUARD NOT SHOWN IN TOP VIEW.
2. ALL DIMENSIONS ARE FOR REFERENCE ONLY.

STATE	Released	08/03/2020
DRAWN	DLende	11/28/2017
CHECKED	GDJ	07/30/2020

DIMENSIONS ARE IN  
INCHES  
PROJECT: E251  
WAS:



VIKING PUMP, INC.  
A Unit of IDEX Corporation  
Cedar Falls, IA 50613  
U.S.A.

THIS DRAWING IS THE PROPERTY OF  
VIKING PUMP, INC. AND IS PROPRIETARY  
IN GENERAL AND DETAIL. IT SHALL NOT BE  
COPIED OR ITS CONTENTS REVEALED TO  
OUTSIDE PARTIES WITHOUT THE WRITTEN  
CONSENT OF VIKING PUMP, INC.

3D

DWG. NO. SHEET 1 OF 1  
GPV-1420-063-U

REV. E.0  
08/03/2020