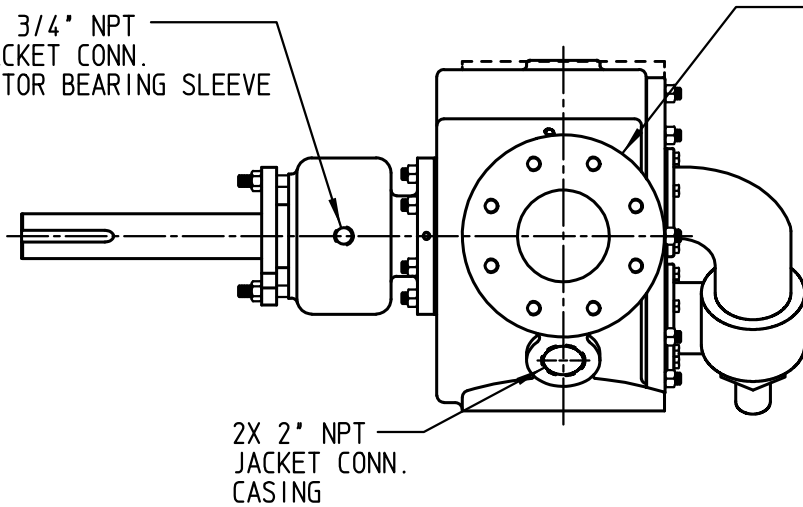
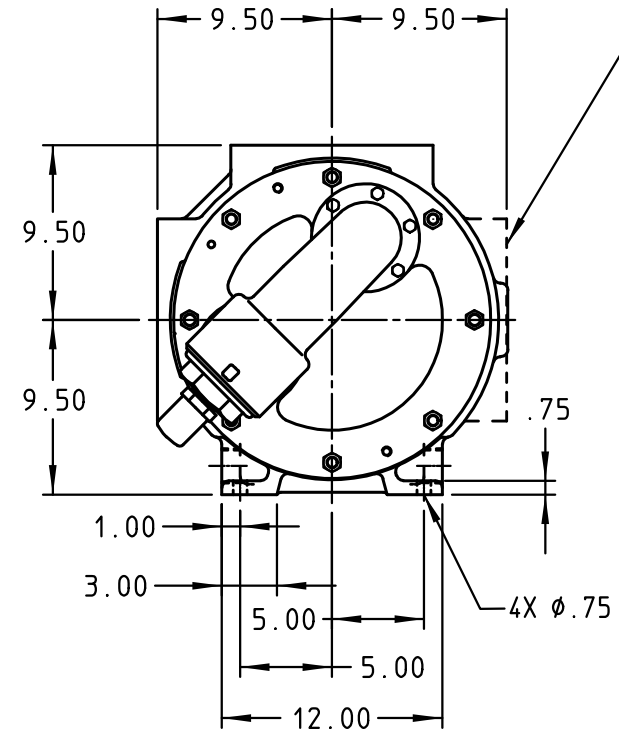
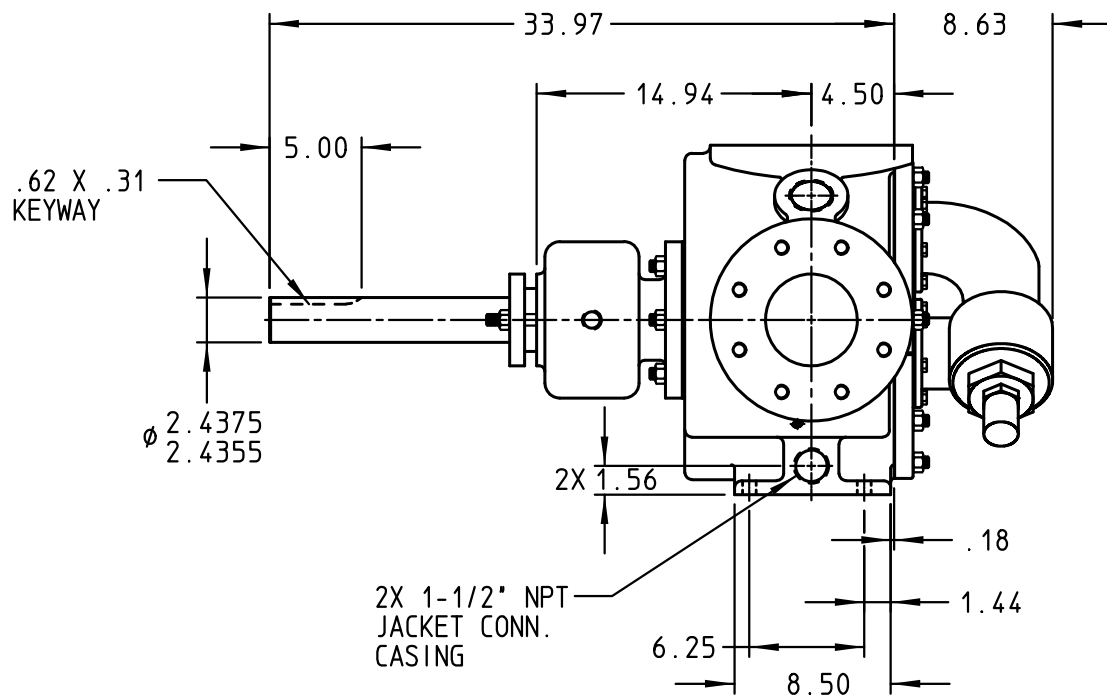


4X 3/4" NPT
JACKET CONN.
ROTOR BEARING SLEEVE

PORTS: 5" RIGHT HAND FLANGES
WITH STUDS AND NUTS - NOT SHOWN
SUITABLE FOR USE WITH
#125 ANSI FLANGES'



LEFT HAND PORT
SHOWN DOTTED



STANDARD MODELS: N34, N434

STATE	RELEASED	18 MAY 2009	DIMENSIONS ARE IN INCHES	<p>VIKING PUMP, INC. A Unit of IDEX Corporation Cedar Falls, Iowa 50613 U.S.A.</p>	<p>THIS DRAWING IS THE PROPERTY OF VIKING PUMP, INC. AND IS PROPRIETARY IN GENERAL AND DETAIL. IT SHALL NOT BE COPIED OR ITS CONTENTS REVEALED TO OUTSIDE PARTIES WITHOUT THE WRITTEN CONSENT OF VIKING PUMP, INC.</p>	<p>DWG. NO. NV-700</p>	<p>SHEET 1 OF 1</p>	REV. A	
DRAWN	GERBIG	15 MAY 2009	PROJECT					<p>2D</p>	<p>15 MAY 2009</p>
CHECKED	JDP	15 MAY 2009	WAS						