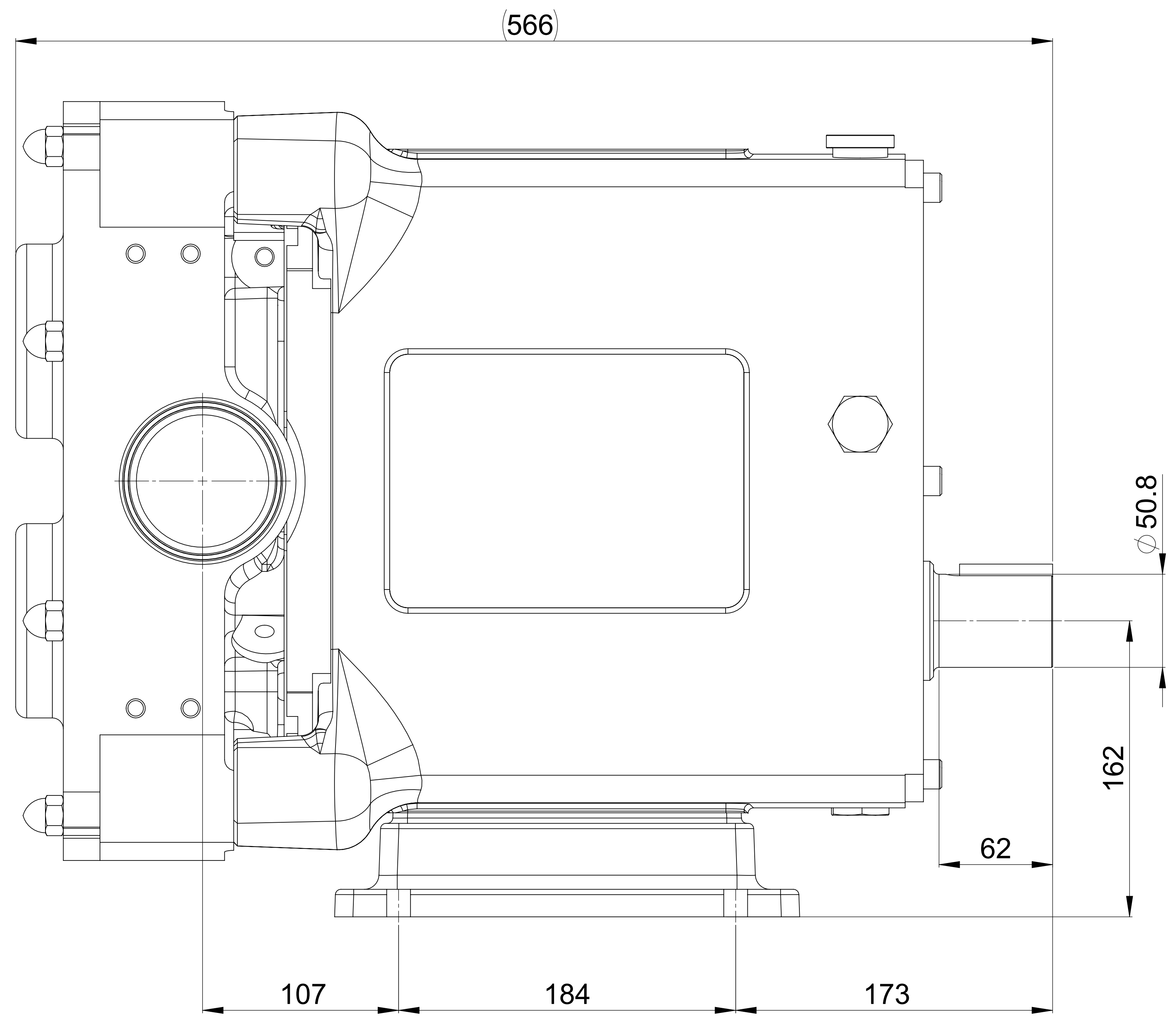
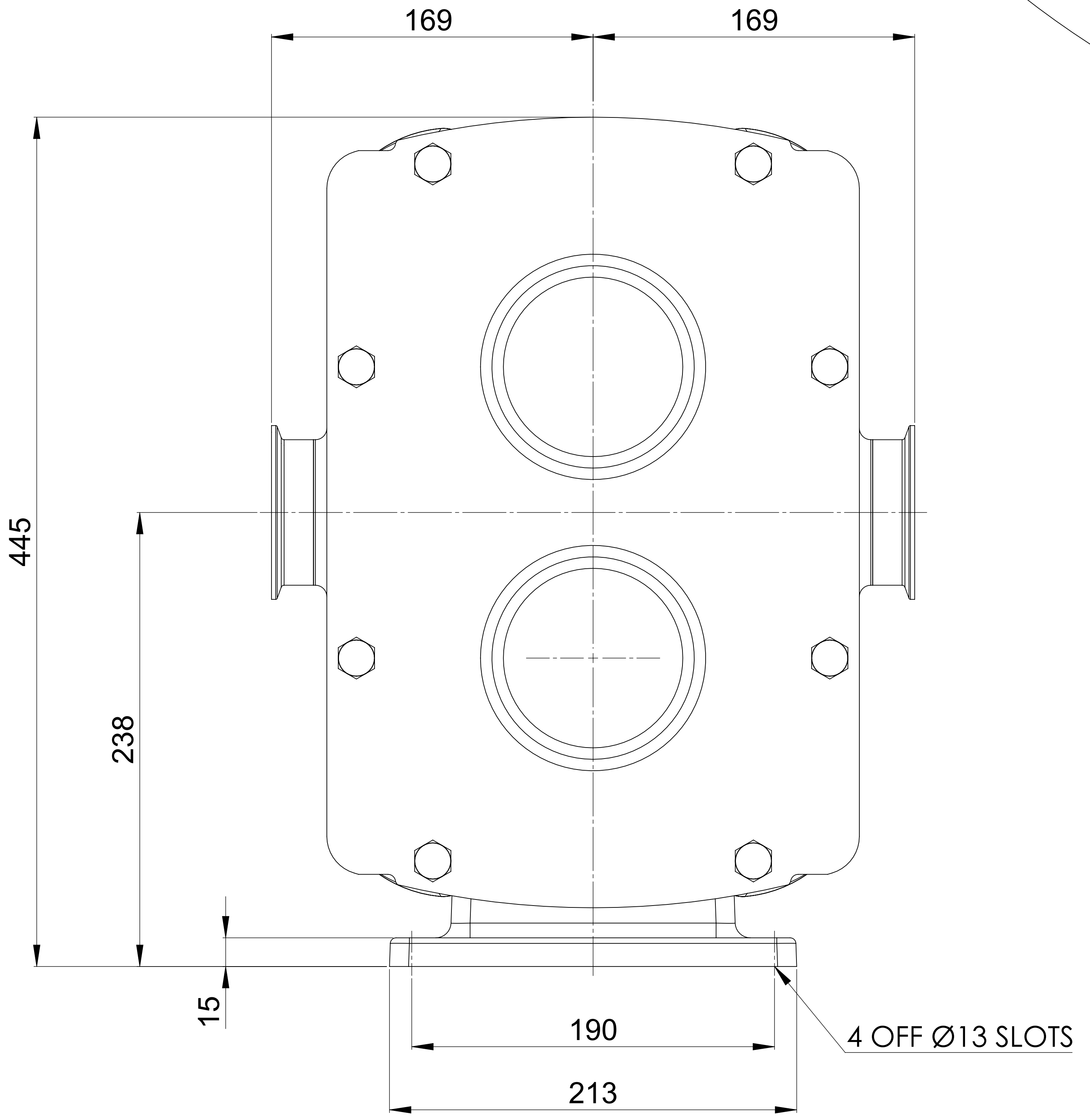
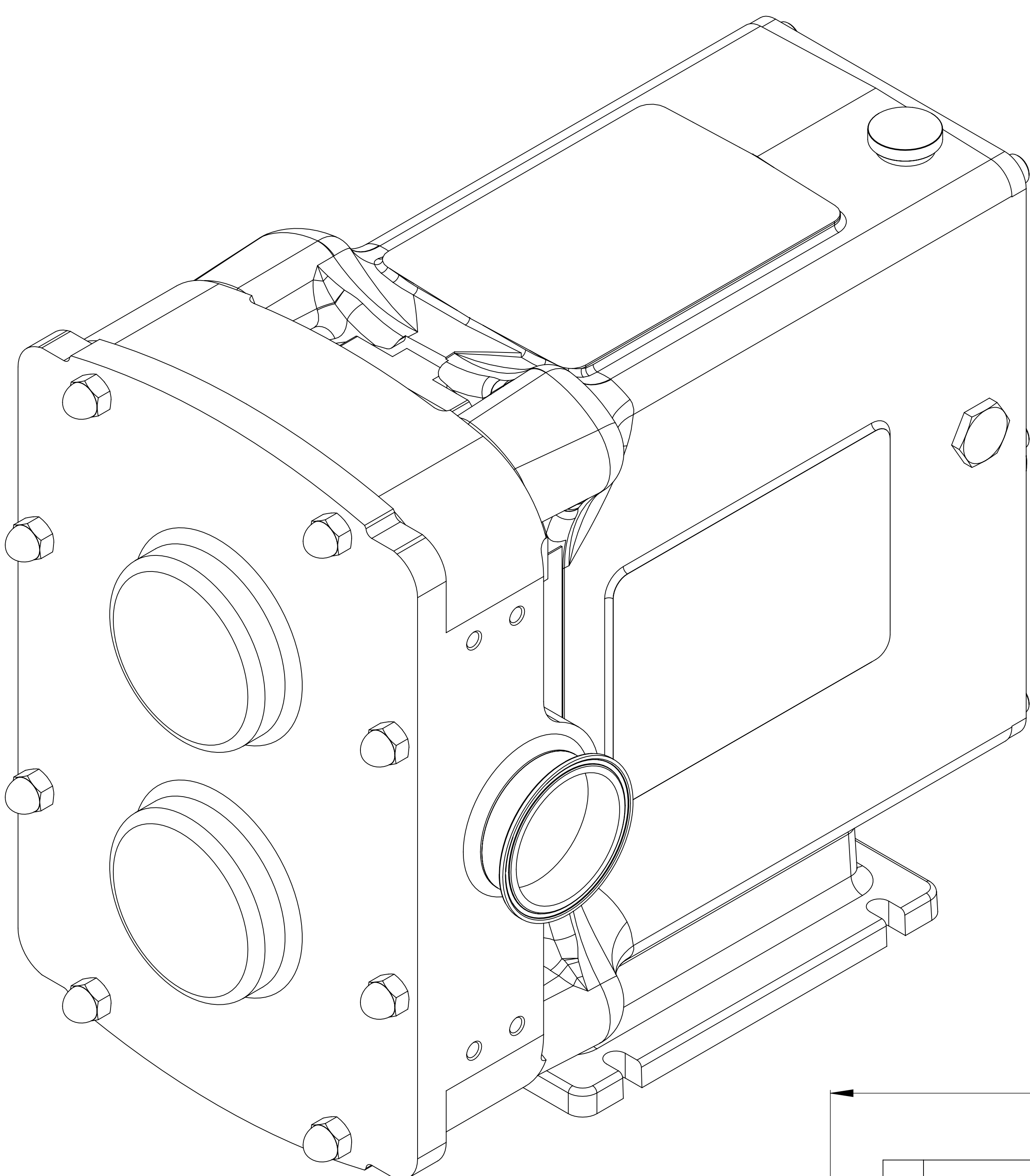


GENERAL ARRANGEMENT DETAILS

PUMP INFORMATION

| | |
|-------------------|----------------------------------|
| PUMP MODEL | REVOLUTION - TWIN WING R1800X/31 |
| INLET CONNECTION | 3" TRI-CLAMP |
| OUTLET CONNECTION | 3" TRI-CLAMP |
| SPECIAL FEATURES | NONE |

THIS IS NOT A CERTIFIED DRAWING, USE FOR GENERAL INSTALLATION ONLY



| | | |
|-----------|-------|------------|
| ISSUED | A | 18/07/2019 |
| AMENDMENT | ISSUE | DATE |

wright flow
TECHNOLOGIES
 HIGHFIELD INDUSTRIAL ESTATE,
 EASTBOURNE,
 EAST SUSSEX, BN23 6PT
 TEL: (+44) 1323 509211

COPYRIGHT:
 THIS DRAWING IS THE SOLE
 PROPERTY OF
WRIGHT FLOW TECHNOLOGIES LTD.
 IT MUST NOT BE COPIED OR USED
 IN PART OR FULL WITHOUT PRIOR
 WRITTEN CONSENT.

UNLESS OTHERWISE STATED:
 ALL DIMENSIONS ± 2.50
 ANGLES ±2.0°
 DO NOT SCALE THIS DRAWING
 REMOVE BURRS AND SHARP EDGES
 DIMENSIONS IN MILLIMETRES
IF IN DOUBT ASK

| | | |
|------------|-------|---------|
| PROJECTION | DRAWN | CHECKED |
| | DSB | IPJB |

| | |
|----------|---------------------|
| TITLE: | GENERAL ARRANGEMENT |
| DRG. NO: | GA4211 |