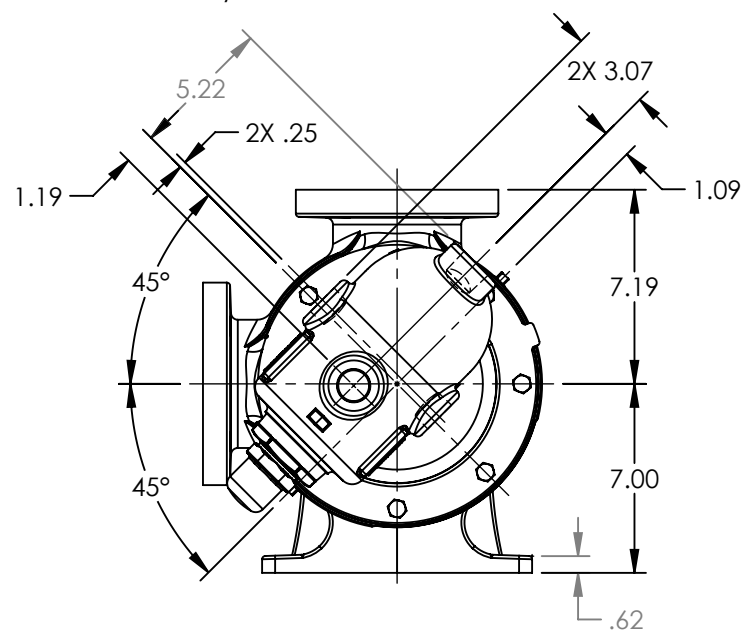
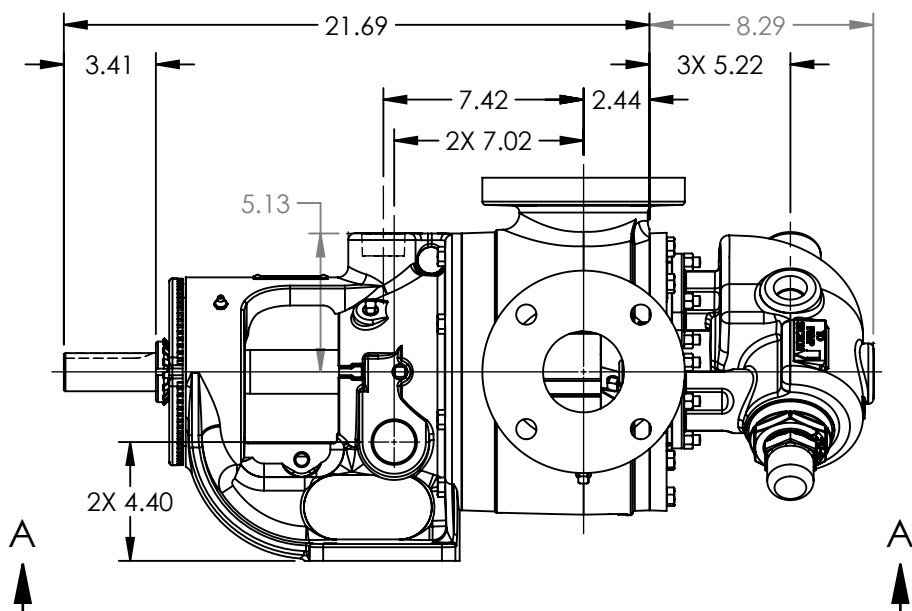


VIEW A-A

PORTS: 2X 3" FLANGES
SUITABLE FOR USE WITH
CLASS 125 ANSI FLANGES
(224A, 4224A, 4224B)
CLASS 150 ANSI FLANGES
(223A, 4223A, 226A, 4226A, 227A, 4227A, 1227A)



STANDARD MODELS:
LS224A, LS4224A, LS4224B, LS223A, LS4223A, LS226A, LS4226A, LS227A, LS4227A, LS1227A

NOTES:
1. ALL DIMENSIONS ARE FOR REFERENCE ONLY.

STATE	Released	02/13/2020	DIMENSIONS ARE IN INCHES	VIKING PUMP	VIKING PUMP, INC. A Unit of IDEX Corporation Cedar Falls, IA 50613 U.S.A.	THIS DRAWING IS THE PROPERTY OF VIKING PUMP, INC. AND IS PROPRIETARY IN GENERAL AND DETAIL. IT SHALL NOT BE COPIED OR ITS CONTENTS REVEALED TO OUTSIDE PARTIES WITHOUT THE WRITTEN CONSENT OF VIKING PUMP, INC.	3D	DWG. NO. LV-4093	SHEET 1 OF 1	REV. C.1
DRAWN	sjakel	06/21/2019								PROJECT:
CHECKED	AA	02/13/2020	WAS:							