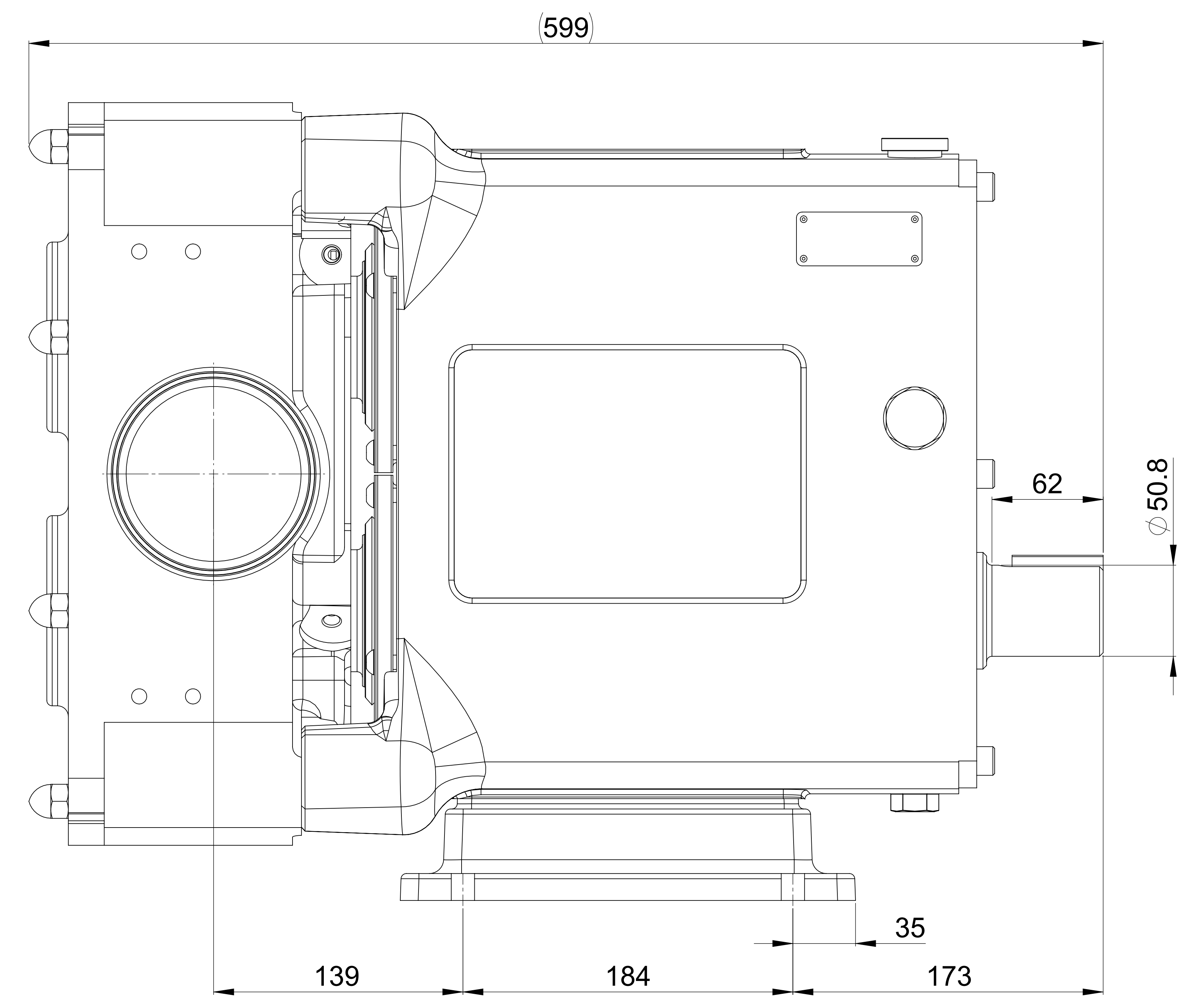
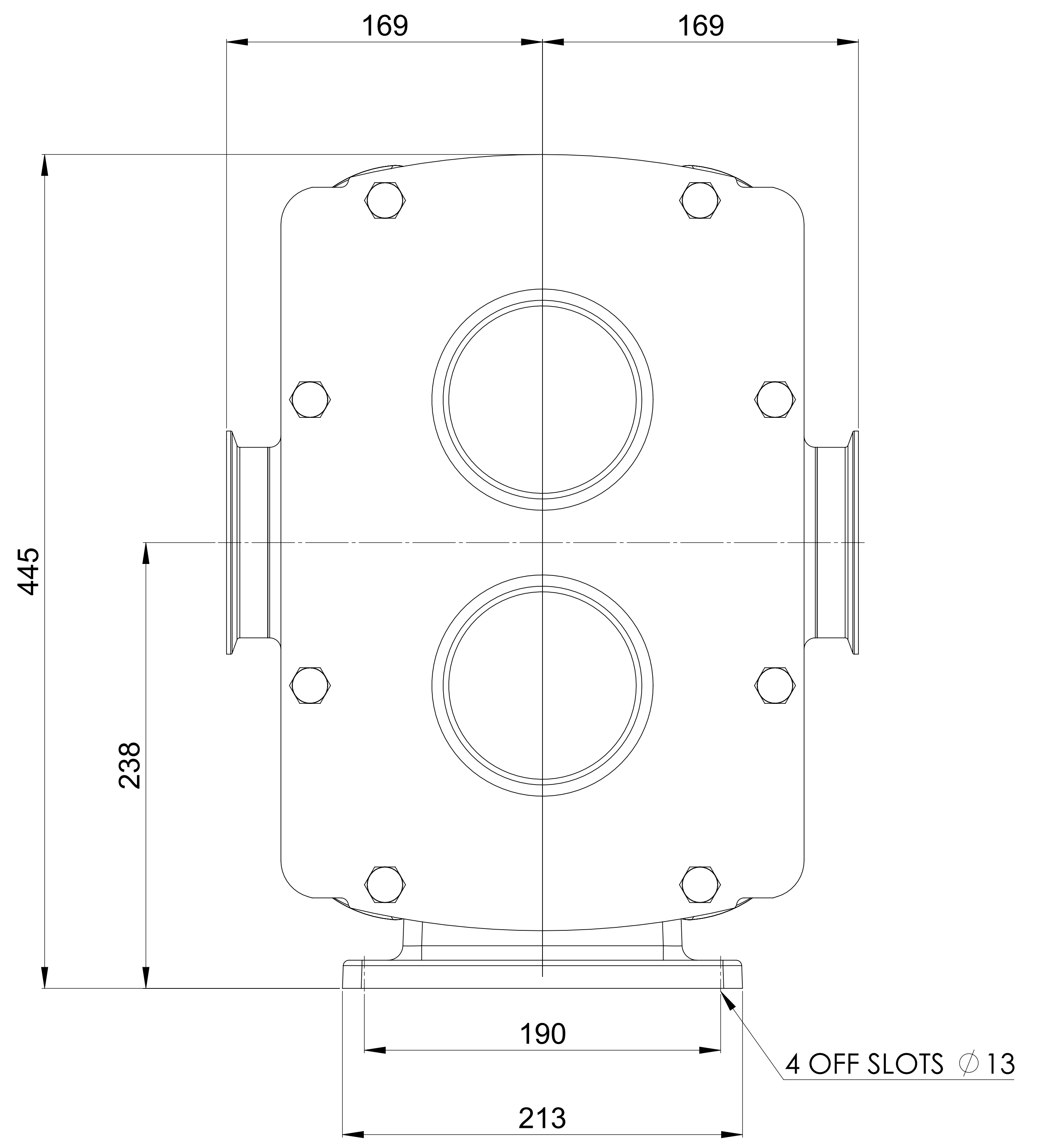
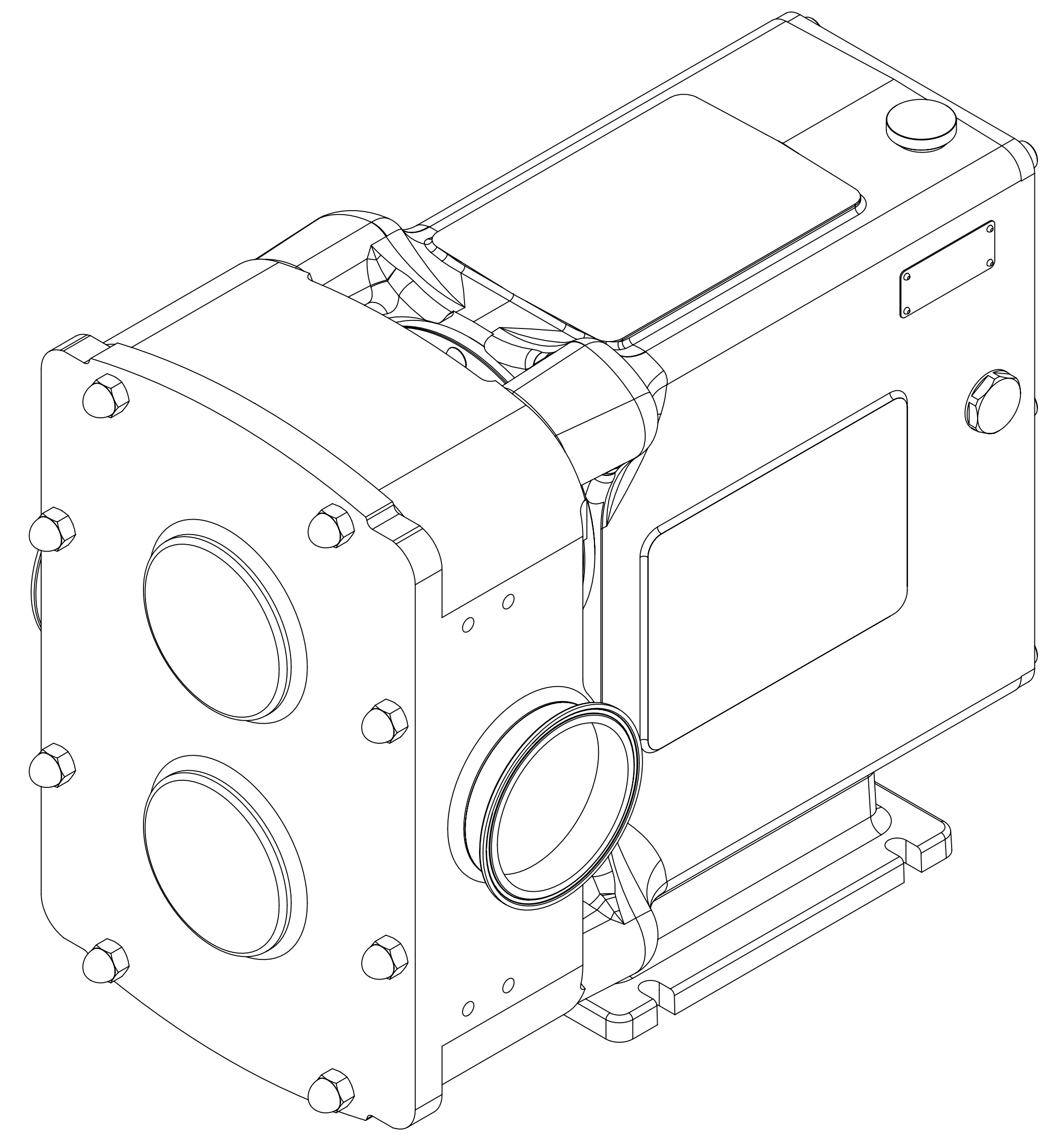


GENERAL ARRANGEMENT DETAILS

PUMP INFORMATION

PUMP MODEL	REVOLUTION - TWIN WING R2600P/14
INLET CONNECTION	4" Tri-Clamp (3A)
OUTLET CONNECTION	4" Tri-Clamp (3A)
SPECIAL FEATURES	NONE

THIS IS NOT A CERTIFIED DRAWING, USE FOR GENERAL INSTALLATION ONLY



ISSUE	A	17/10/2018
AMENDMENT	ISSUE	DATE

wright flow
TECHNOLOGIES
HIGHFIELD INDUSTRIAL ESTATE,
EASTBOURNE,
EAST SUSSEX, BN23 6PT
TEL: (+44) 1323 509211

COPYRIGHT:
THIS DRAWING IS THE SOLE
PROPERTY OF
WRIGHT FLOW TECHNOLOGIES LTD.
IT MUST NOT BE COPIED OR USED
IN PART OR FULL WITHOUT PRIOR
WRITTEN CONSENT.

UNLESS OTHERWISE STATED:
ALL DIMENSIONS ± 2.50
ANGLES ± 2.0°
DO NOT SCALE THIS DRAWING
REMOVE BURRS AND SHARP EDGES
DIMENSIONS IN MILLIMETRES
IF IN DOUBT ASK

PROJECTION	DRAWN	CHECKED
	DSB	KCB

TITLE:	GENERAL ARRANGEMENT
DRG. NO:	GA4007