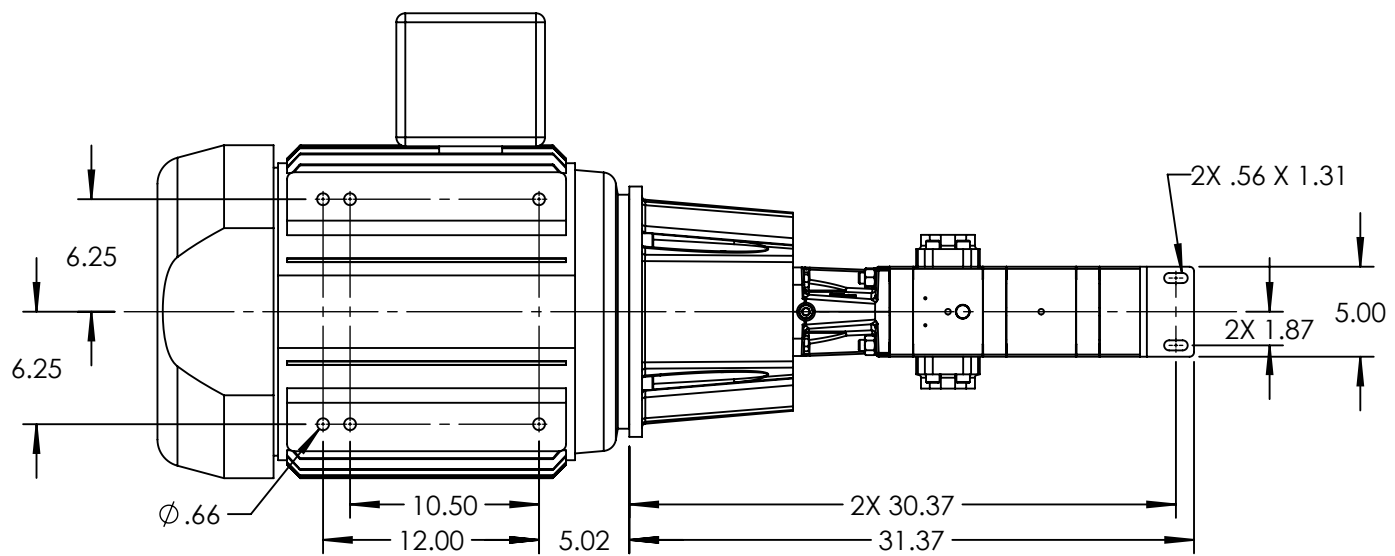
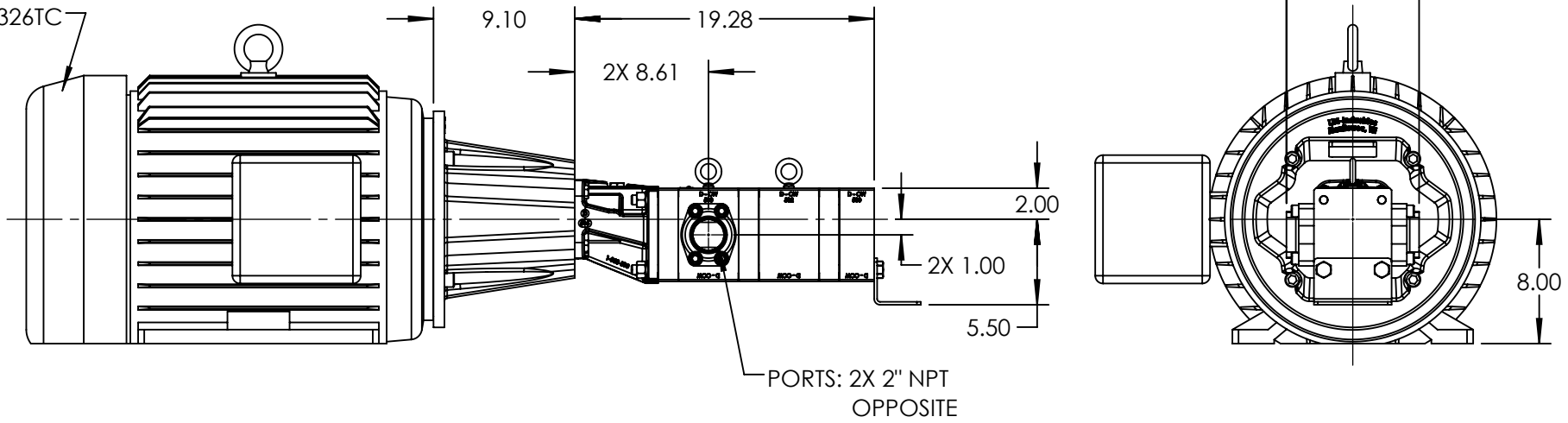


MOTOR: FRAMES  
324TC-326TC



MODELS: GL-41039-G0A-M, GL-41039-G1A-M, GL-41039-G0B-M, GL-41039-G1B-M,  
GP-41039-G0O-M, GP-41039-G1O-M

NOTES:  
1. ALL DIMENSIONS ARE FOR REFERENCE ONLY.

STATE	Released	07/23/2019
DRAWN	jpierce	6/21/2019
CHECKED	KC	07/23/2019

DIMENSIONS ARE IN  
INCHES  
PROJECT: E299  
WAS:



VIKING PUMP, INC.  
A Unit of IDEX Corporation  
Cedar Falls, IA 50613  
U.S.A.

THIS DRAWING IS THE PROPERTY OF  
VIKING PUMP, INC. AND IS PROPRIETARY  
IN GENERAL AND DETAIL. IT SHALL NOT BE  
COPIED OR ITS CONTENTS REVEALED TO  
OUTSIDE PARTIES WITHOUT THE WRITTEN  
CONSENT OF VIKING PUMP, INC.

3D

DWG. NO. SHEET 1 OF 1  
GPV-1039-005-U

REV. B.0  
07/23/2019