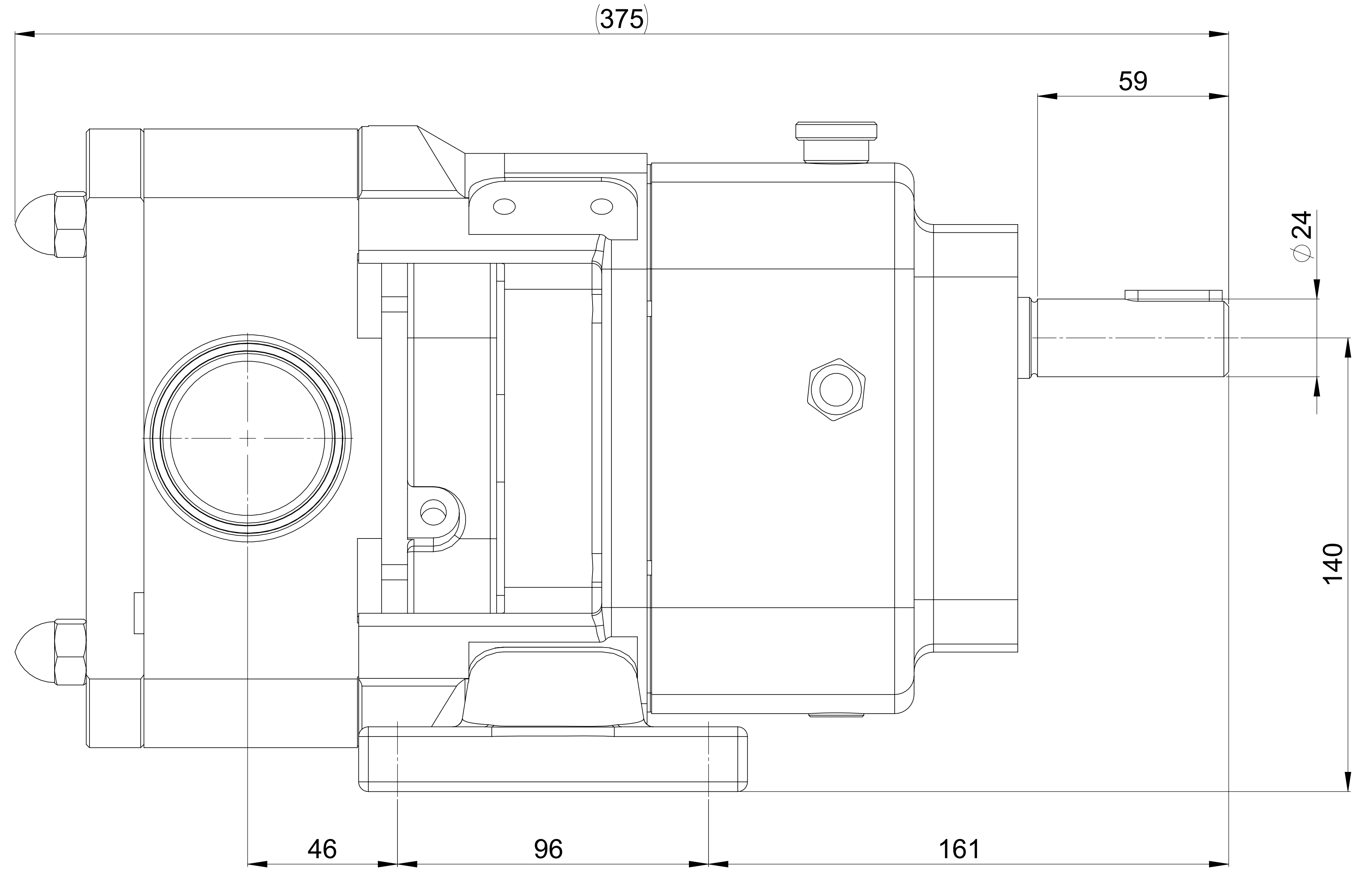
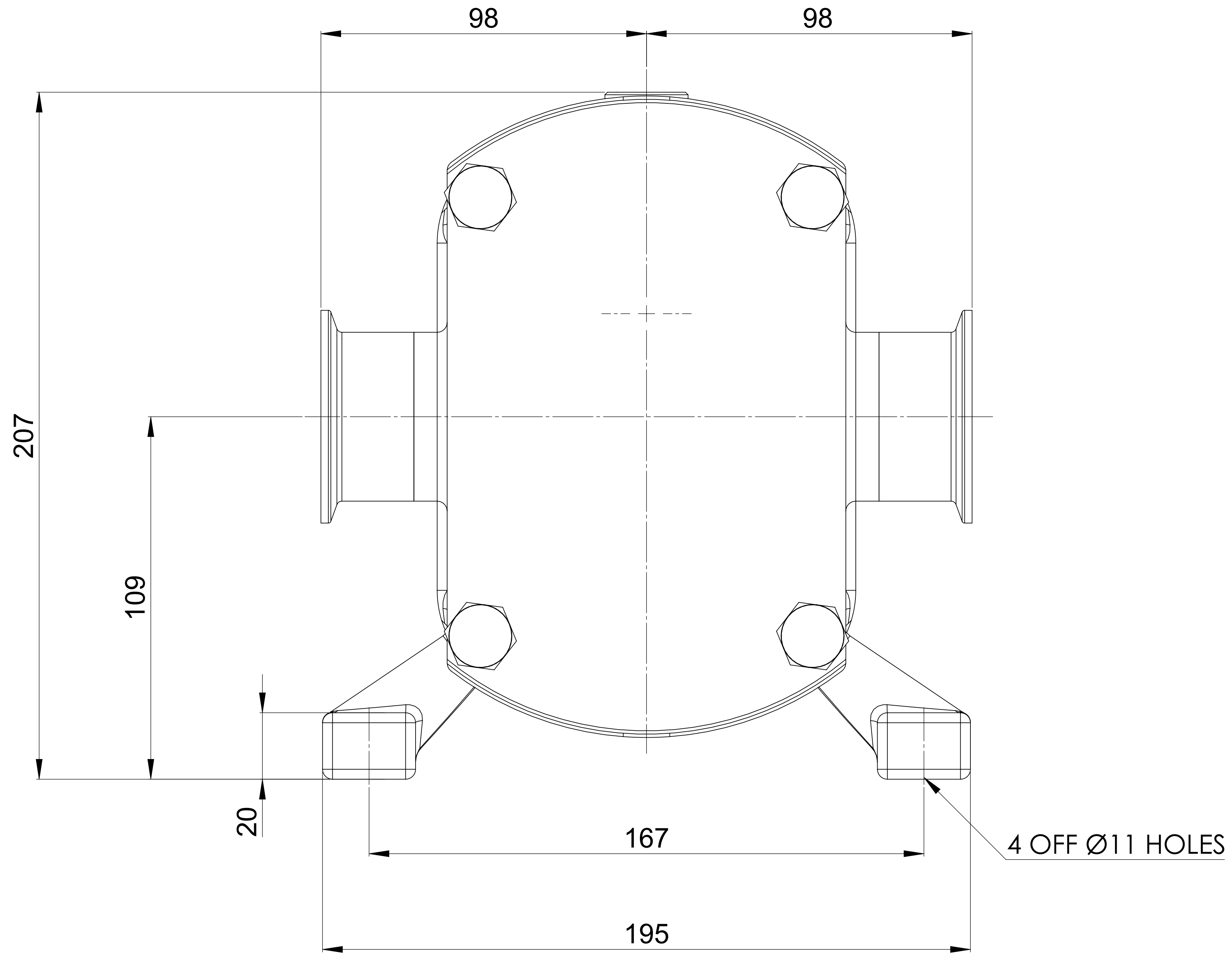
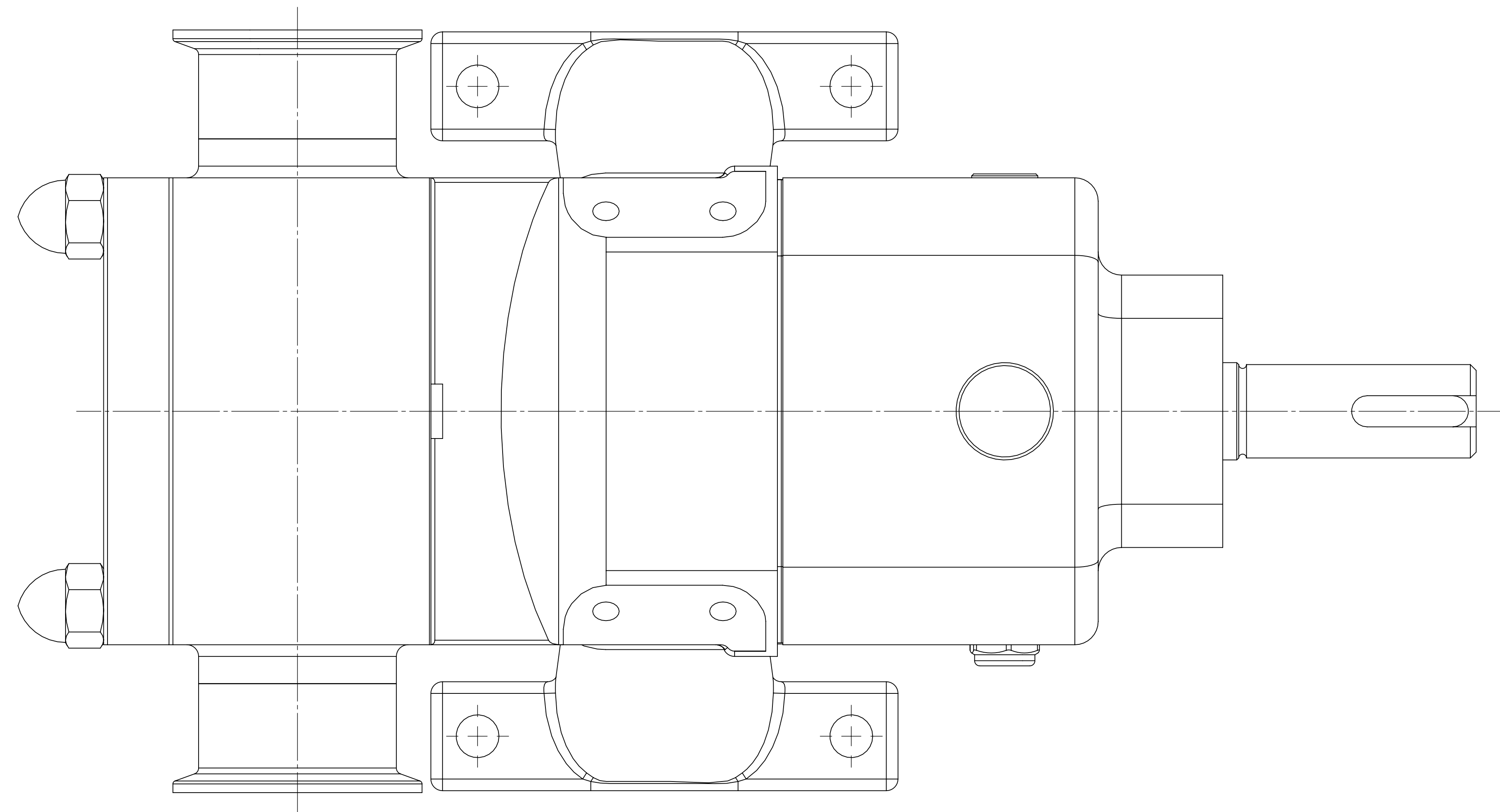


GENERAL ARRANGEMENT DETAILS	
PUMP INFORMATION	
PUMP MODEL	MULTIPUMP MP20/0031/07
INLET CONNECTION	2" TRI-CLAMP
OUTLET CONNECTION	2" TRI-CLAMP
SPECIAL FEATURES	NONE

THIS IS NOT A CERTIFIED DRAWING, USE FOR GENERAL INSTALLATION ONLY



ISSUED	A	28/11/2019
AMENDMENT	ISSUE	DATE

wright flow
TECHNOLOGIES
 HIGHFIELD INDUSTRIAL ESTATE,
 EASTBOURNE,
 EAST SUSSEX, BN23 6PT
 TEL: (+44) 1323 509211

COPYRIGHT:
 THIS DRAWING IS THE SOLE
 PROPERTY OF
WRIGHT FLOW TECHNOLOGIES LTD.
 IT MUST NOT BE COPIED OR USED
 IN PART OR FULL WITHOUT PRIOR
 WRITTEN CONSENT.

UNLESS OTHERWISE STATED:
 ALL DIMENSIONS ± 2.50
 ANGLES ±2.0°
 DO NOT SCALE THIS DRAWING
 REMOVE BURRS AND SHARP EDGES
 DIMENSIONS IN MILLIMETRES
IF IN DOUBT ASK

PROJECTION	DRAWN	CHECKED
	DSB	IPJB

TITLE:	GENERAL ARRANGEMENT
DRG. NO.	GA4293