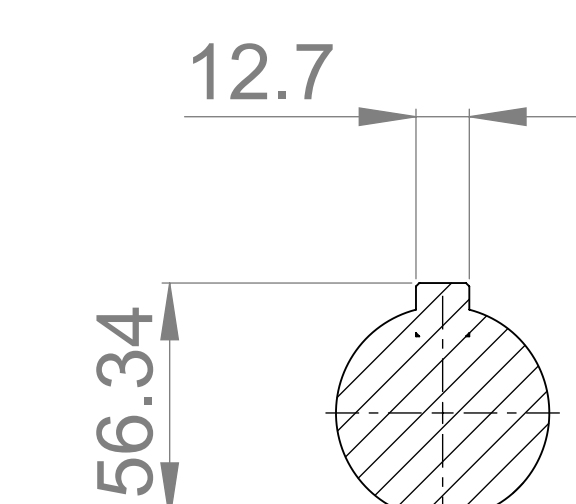
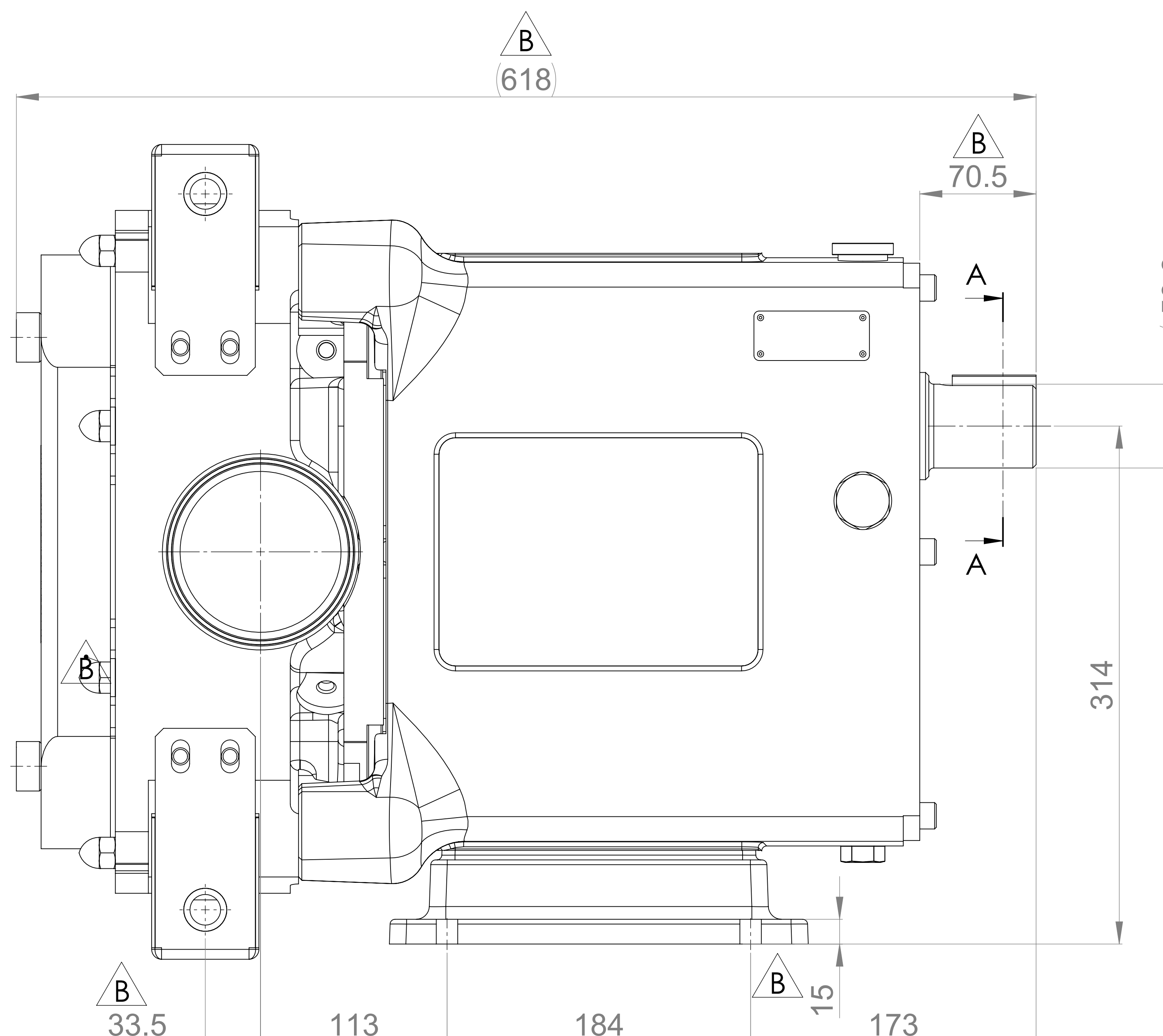
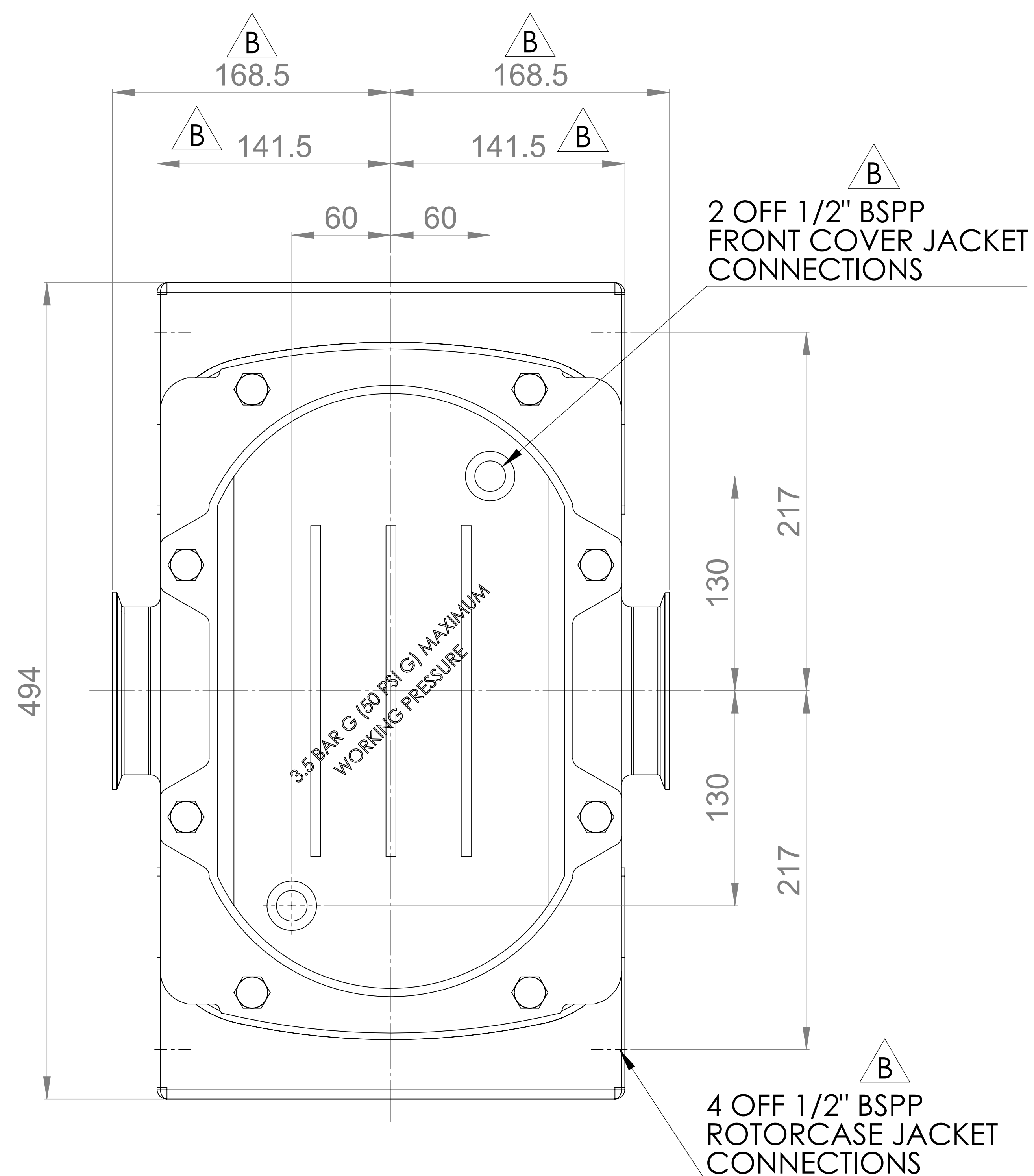
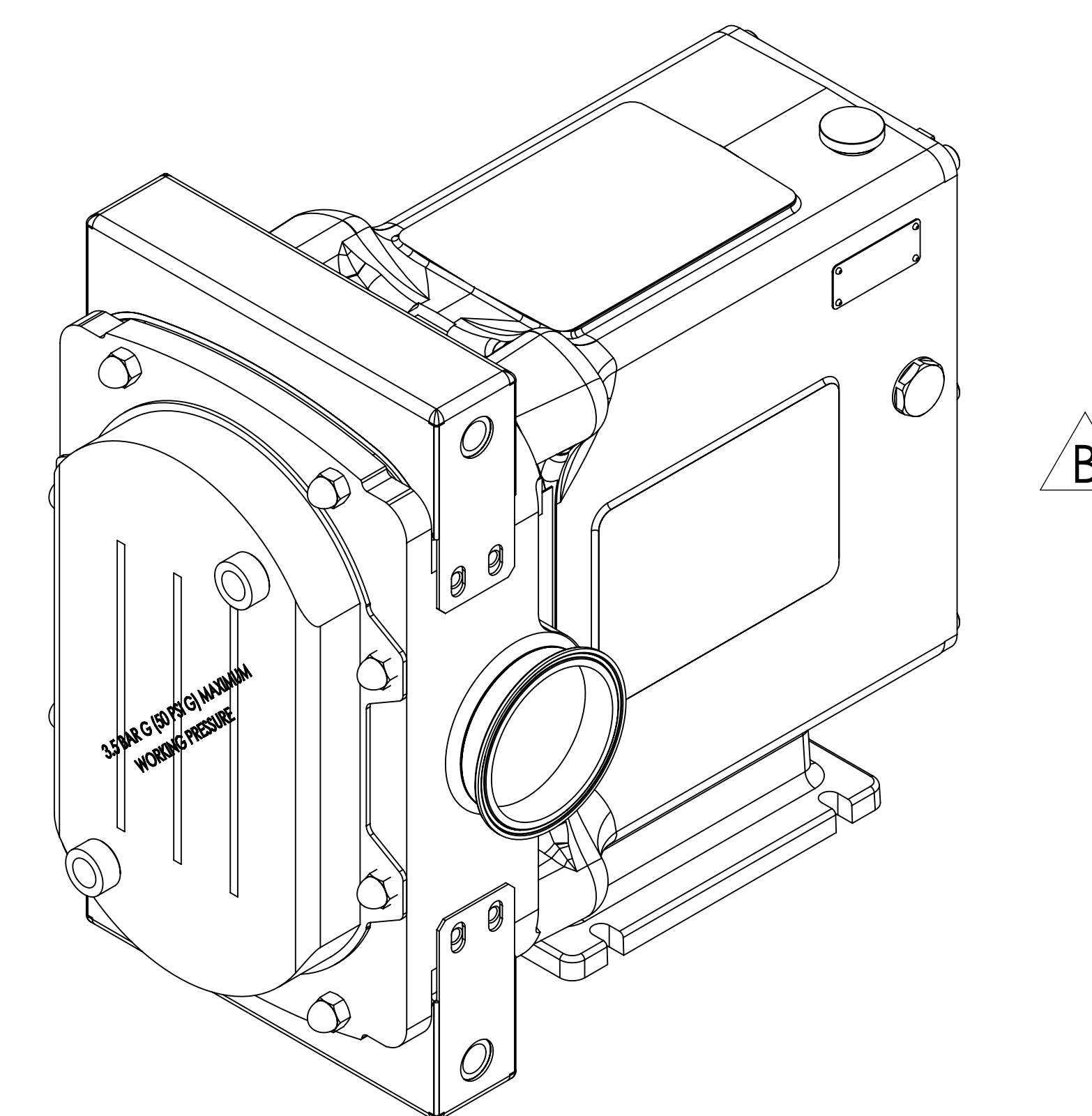
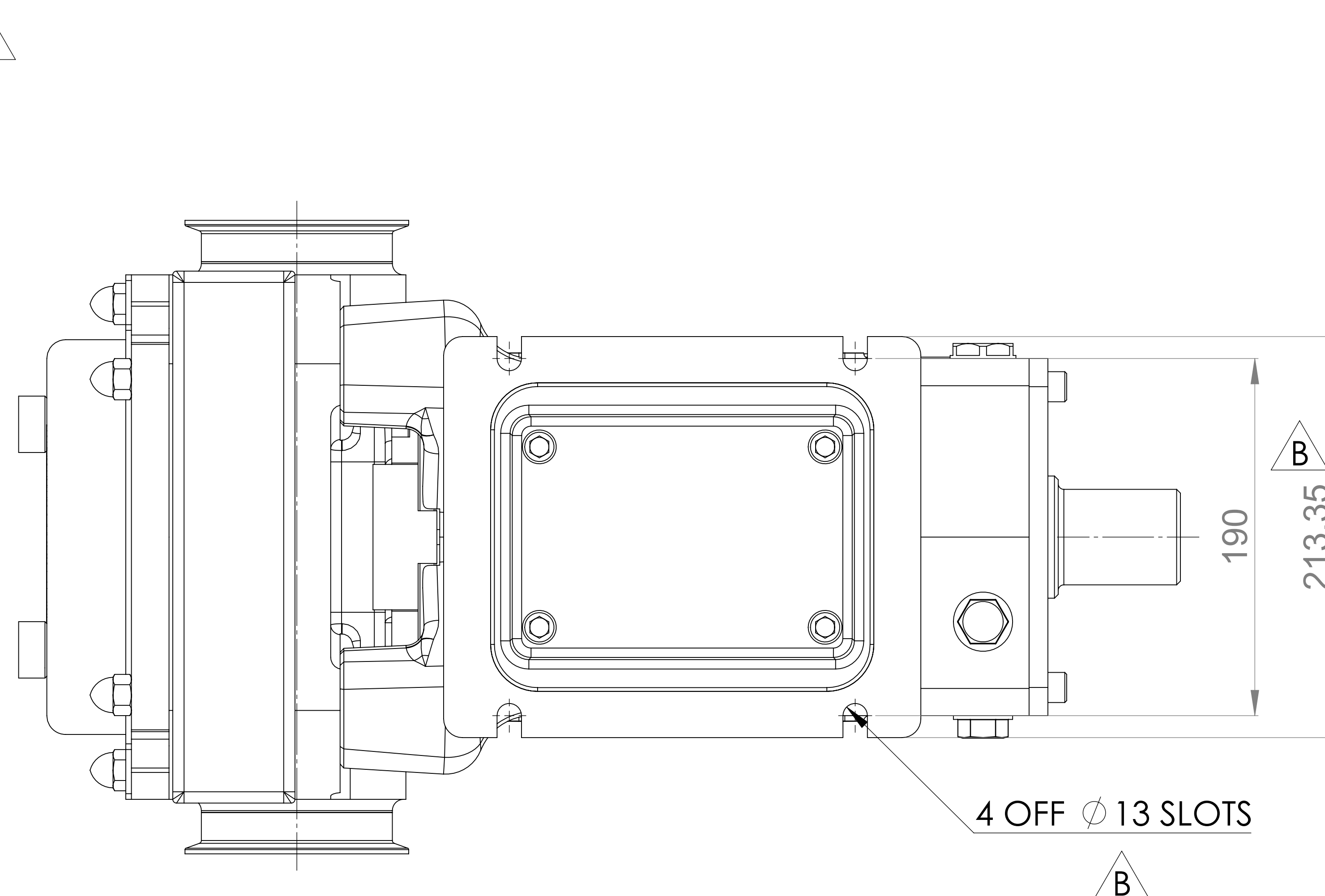


GENERAL ARRANGEMENT DETAILS

PUMP INFORMATION

PUMP MODEL	REVOLUTION - TWIN WING R2200X/21
LEFT/TOP CONNECTION	4" TRI-CLAMP
RIGHT/BOTTOM CONNECTION	4" TRI-CLAMP
DRIVE SHAFT POSITION	TOP SHAFT DRIVE
FRONT COVER ADDITIONS	FRONT COVER JACKET
ROTORCASE ADDITIONS	ROTORCASE JACKET
GEARBOX ADDITIONS	STANDARD
PUMP ADDITIONS	STANDARD

THIS IS NOT A CERTIFIED DRAWING, USE FOR GENERAL INSTALLATION ONLY



SECTION A-A

UPDATED FORMAT, PRECISION, AND SLOT CALLOUT	B	9/23/2024
ISSUED	A	03/10/2019
AMENDMENT	ISSUE	DATE

 HIGHFIELD INDUSTRIAL ESTATE, EAST SUSSEX, BN23 6PT TEL: (+44) 1323 509211	COPYRIGHT: THIS DRAWING IS THE SOLE PROPERTY OF VIKING PUMP HYGIENIC LTD. IT MUST NOT BE COPIED OR USED IN PART OR FULL WITHOUT PRIOR WRITTEN CONSENT.	UNLESS OTHERWISE STATED: ALL DIMENSIONS ± 2.50 ANGLES ± 2.0° DO NOT SCALE THIS DRAWING REMOVE BURRS AND SHARP EDGES DIMENSIONS IN MILLIMETRES IF IN DOUBT ASK	PROJECTION	DRAWN	CHECKED	TITLE:
				DSB	IPJB	GENERAL ARRANGEMENT DRG. NO. GA4258