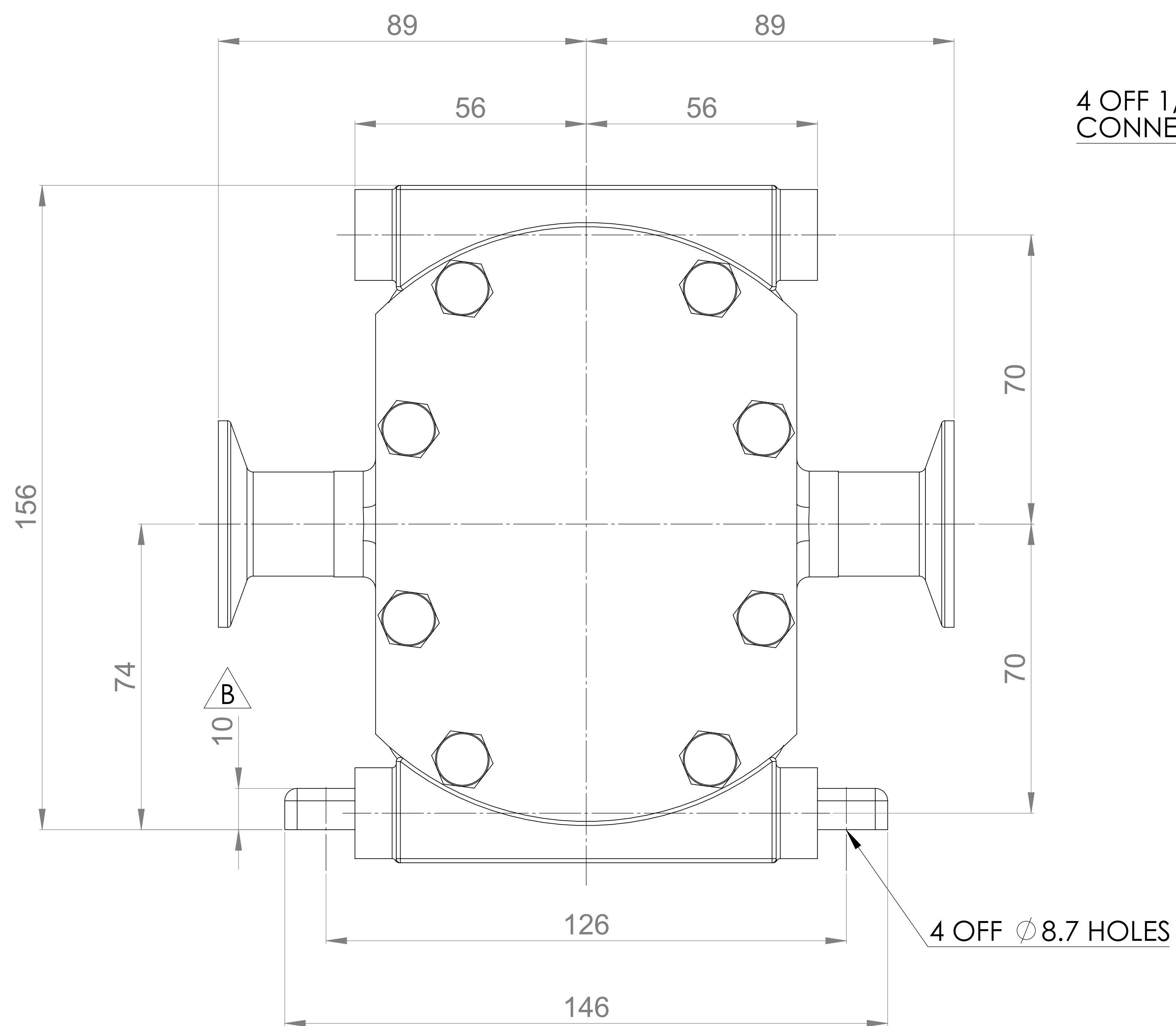
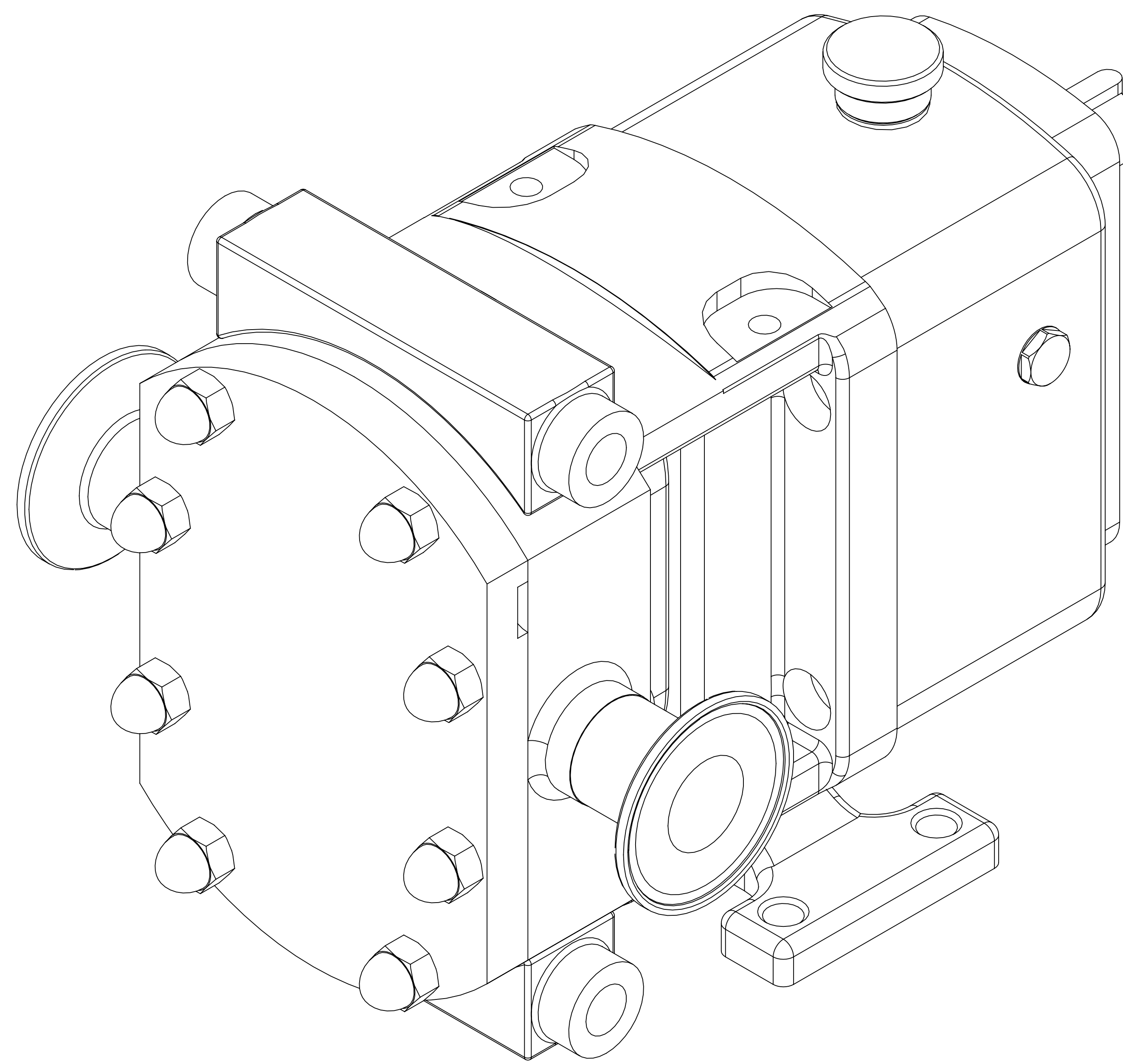


GENERAL ARRANGEMENT DETAILS

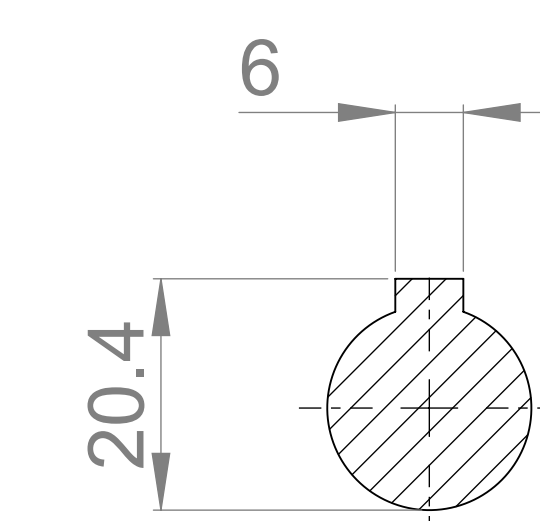
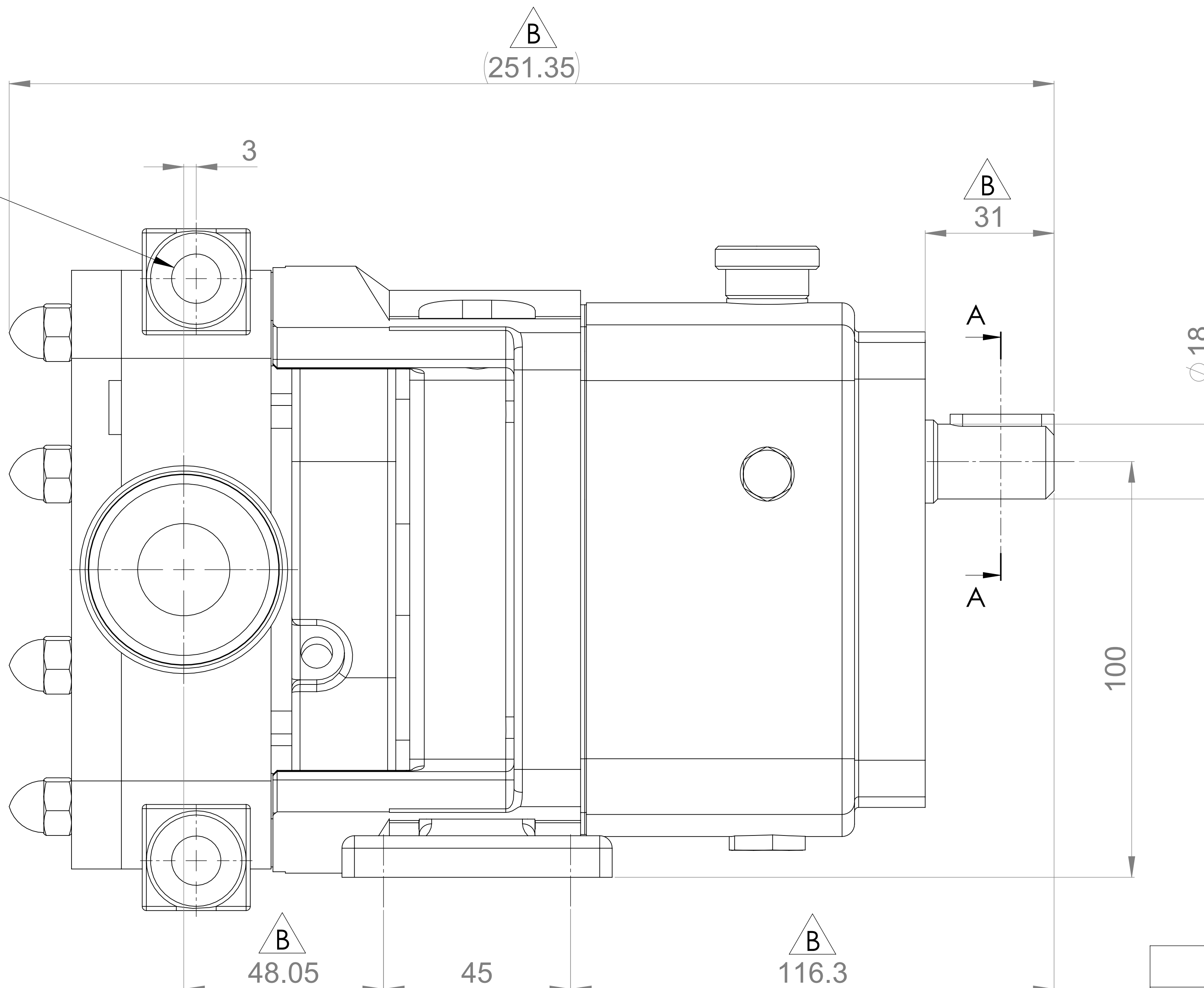
PUMP INFORMATION

PUMP MODEL	CLASSIC+ CP10/0005/12
LEFT/TOP CONNECTION	1" TRI-CLAMP
RIGHT/BOTTOM CONNECTION	1" TRI-CLAMP
DRIVE SHAFT POSITION	TOP SHAFT DRIVE
FRONT COVER ADDITIONS	STANDARD
ROTORCASE ADDITIONS	ROTORCASE JACKET
GEARBOX ADDITIONS	STANDARD
PUMP ADDITIONS	STANDARD

THIS IS NOT A CERTIFIED DRAWING, USE FOR GENERAL INSTALLATION ONLY



4 OFF 1/2" BSPP CONNECTIONS



SECTION A-A

UPDATED FORMAT AND PRECISION	B	04/10/2024
ISSUED	A	23/2/2021
AMENDMENT	ISSUE	DATE

<p>VIKING PUMP HYGIENIC</p> <p>HIGHFIELD INDUSTRIAL ESTATE, EASTBOURNE, EAST SUSSEX, BN23 6PT TEL: (+44) 1323 509211</p>	<p>COPYRIGHT: THIS DRAWING IS THE SOLE PROPERTY OF VIKING PUMP HYGIENIC LTD. IT MUST NOT BE COPIED OR USED IN PART OR FULL WITHOUT PRIOR WRITTEN CONSENT.</p>	<p>UNLESS OTHERWISE STATED: ALL DIMENSIONS ± 2.50 ANGLES ± 2.0° DO NOT SCALE THIS DRAWING REMOVE BURRS AND SHARP EDGES DIMENSIONS IN MILLIMETRES IF IN DOUBT ASK</p>	PROJECTION	DRAWN	CHECKED	TITLE:
			DTL	KCB	DRG. NO:	GENERAL ARRANGEMENT
						GA4547