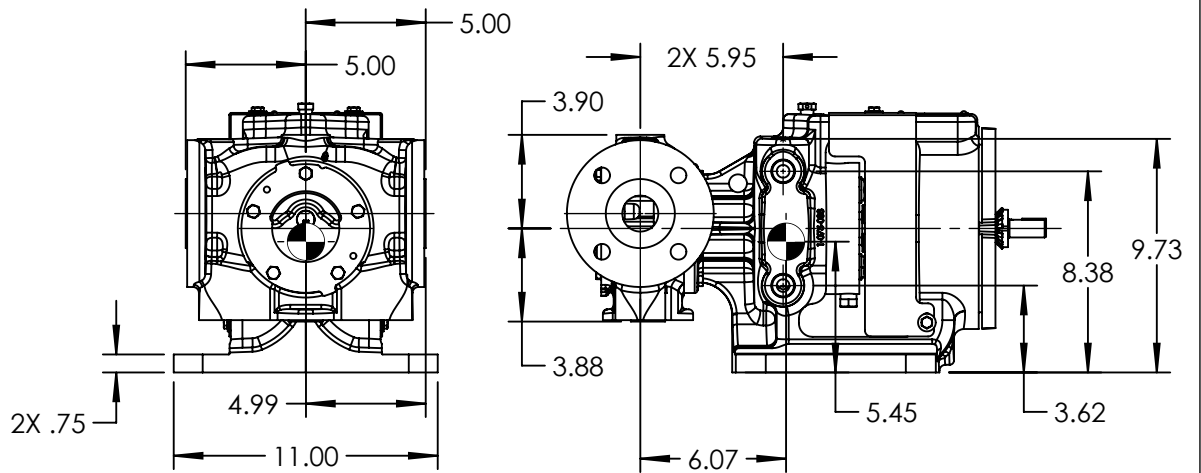


PORTS: 2X 2-1/2" RAISED FACE FLANGES WITH STUDS AND NUTS (NOT SHOWN) SUITABLE FOR USE WITH CLASS 300 ANSI FLANGES



NOTES:
1. ALL DIMENSIONS ARE FOR REFERENCE ONLY.

STANDARD MODELS: HL4223AX

STATE	Released	11/12/2015	DIMENSIONS ARE IN INCHES
DRAWN	cmihm	12/22/2014	PROJECT: E123
CHECKED	BAM	11/12/2015	WAS: EX-E123-5



VIKING PUMP, INC.
A Unit of IDEX Corporation
Cedar Falls, IA 50613
U.S.A.

THIS DRAWING IS THE PROPERTY OF VIKING PUMP, INC. AND IS PROPRIETARY IN GENERAL AND DETAIL. IT SHALL NOT BE COPIED OR ITS CONTENTS REVEALED TO OUTSIDE PARTIES WITHOUT THE WRITTEN CONSENT OF VIKING PUMP, INC.

3D

DWG. NO.
HV-3959

SHEET 1 OF 1

REV. A.1

11/12/2015