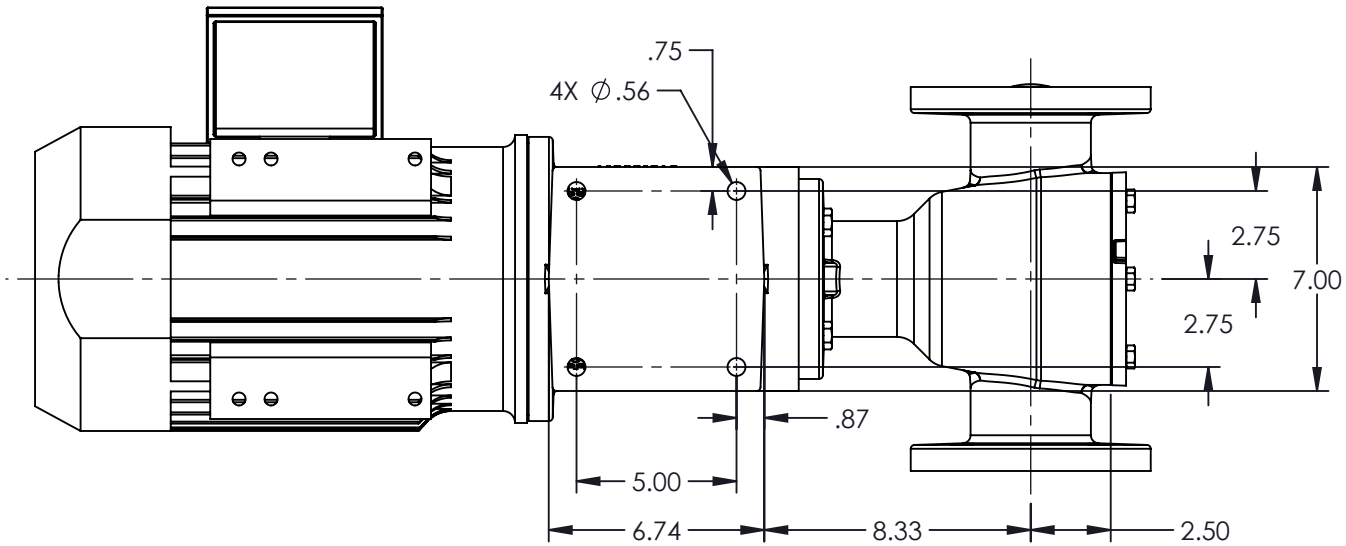
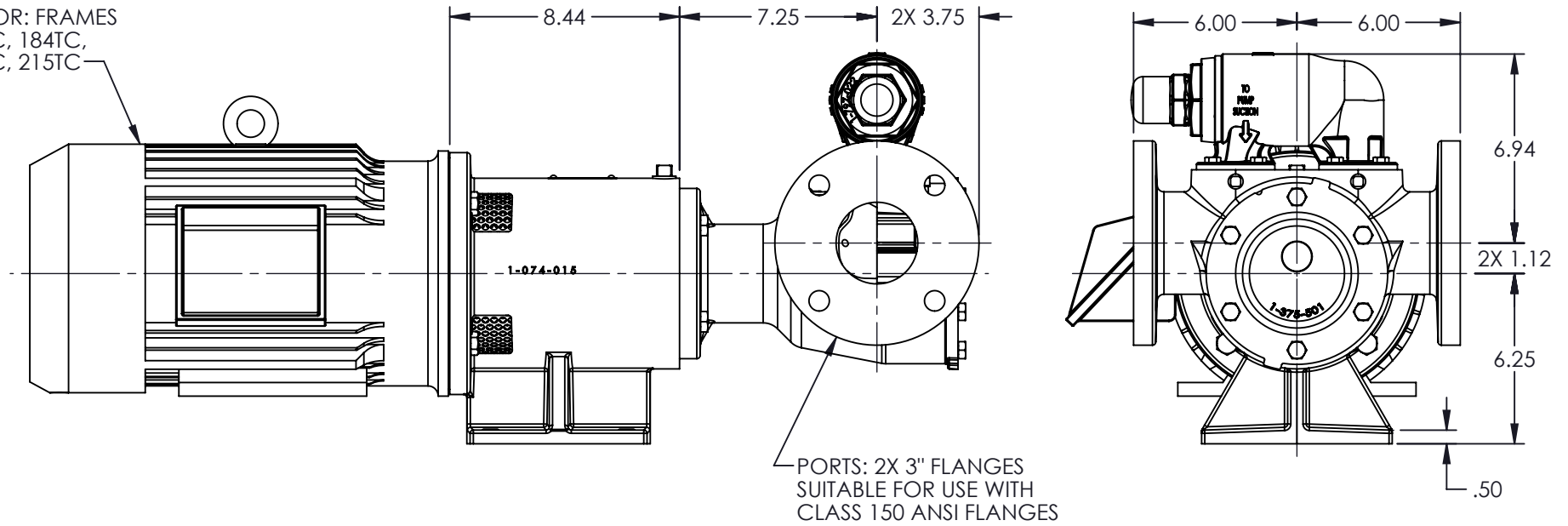


MOTOR: FRAMES  
182TC, 184TC,  
213TC, 215TC



STANDARD MODELS: AL897-MDB15-M, AL897-MDB40-M

NOTES:  
1. ALL DIMENSIONS ARE FOR REFERENCE ONLY.

STATE	Released	11/25/2019	DIMENSIONS ARE IN INCHES	<b>VIKING PUMP</b>	VIKING PUMP, INC. A Unit of IDEX Corporation Cedar Falls, IA 50613 U.S.A.	THIS DRAWING IS THE PROPERTY OF VIKING PUMP, INC. AND IS PROPRIETARY IN GENERAL AND DETAIL. IT SHALL NOT BE COPIED OR ITS CONTENTS REVEALED TO OUTSIDE PARTIES WITHOUT THE WRITTEN CONSENT OF VIKING PUMP, INC.	<b>3D</b>	DWG. NO.	SHEET 1 OF 1	REV. D.0
DRAWN	sjakel	01/11/2012						PROJECT:	AV-611	
CHECKED	DTL	11/25/2019	WAS:							