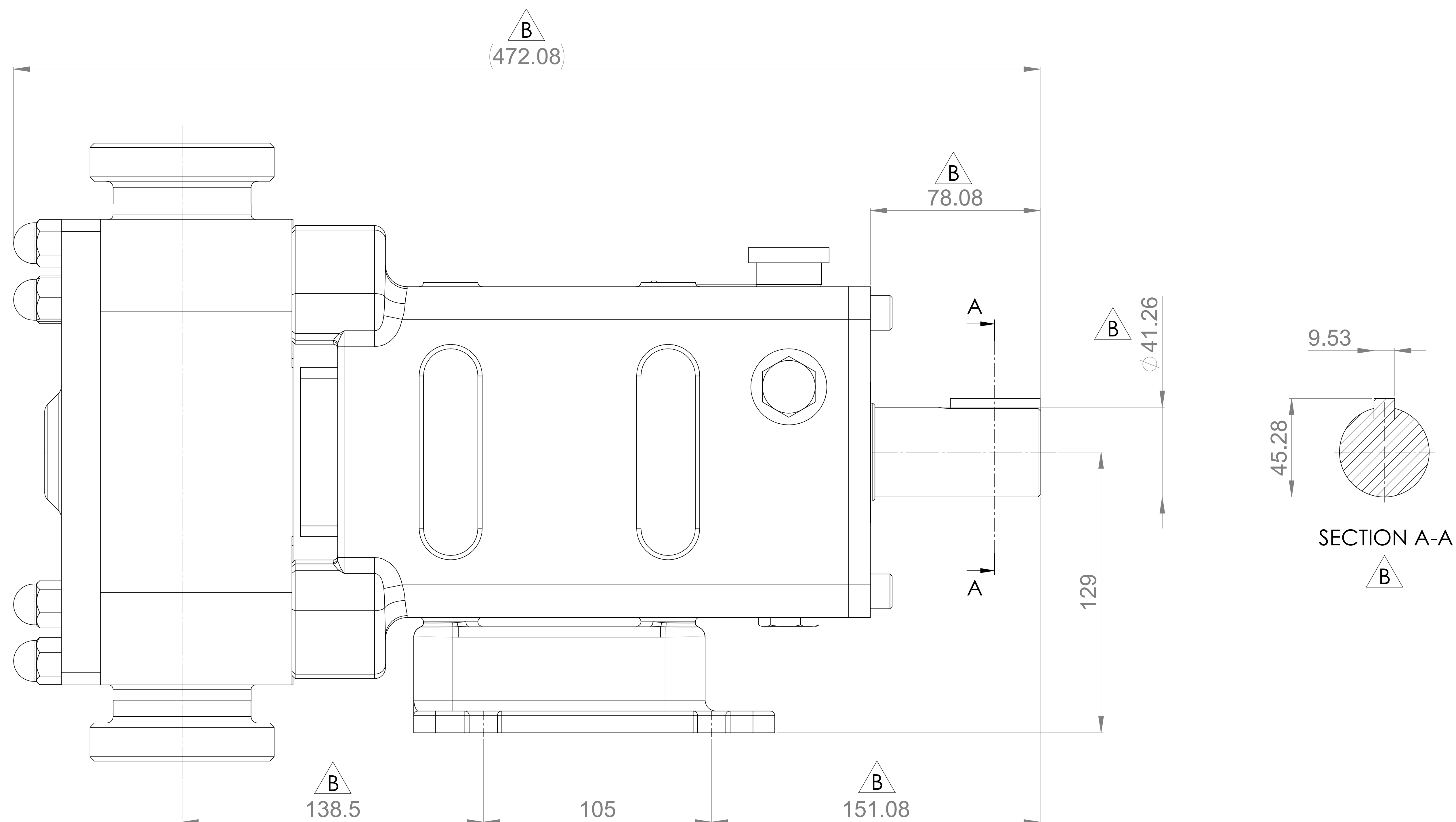
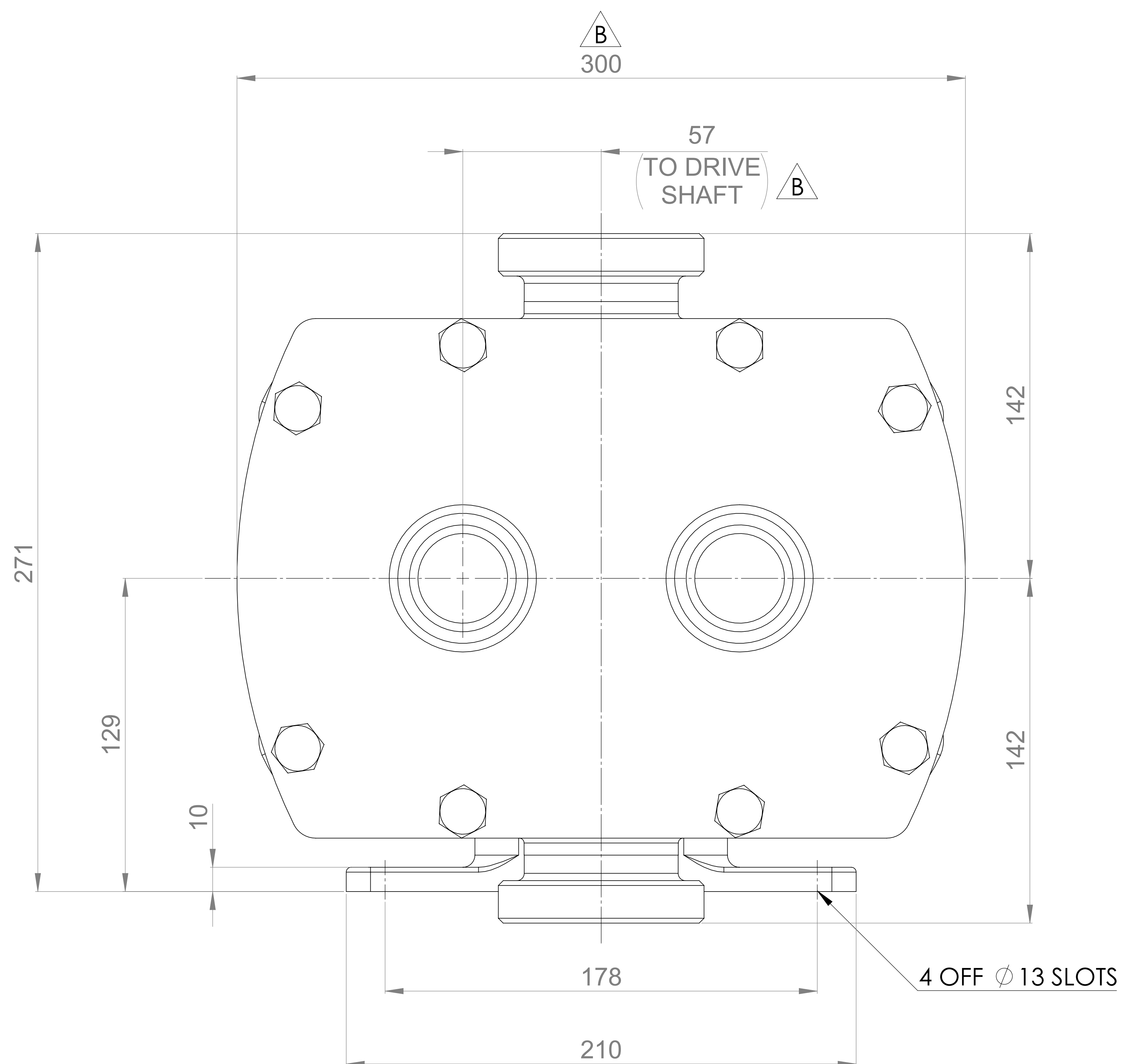
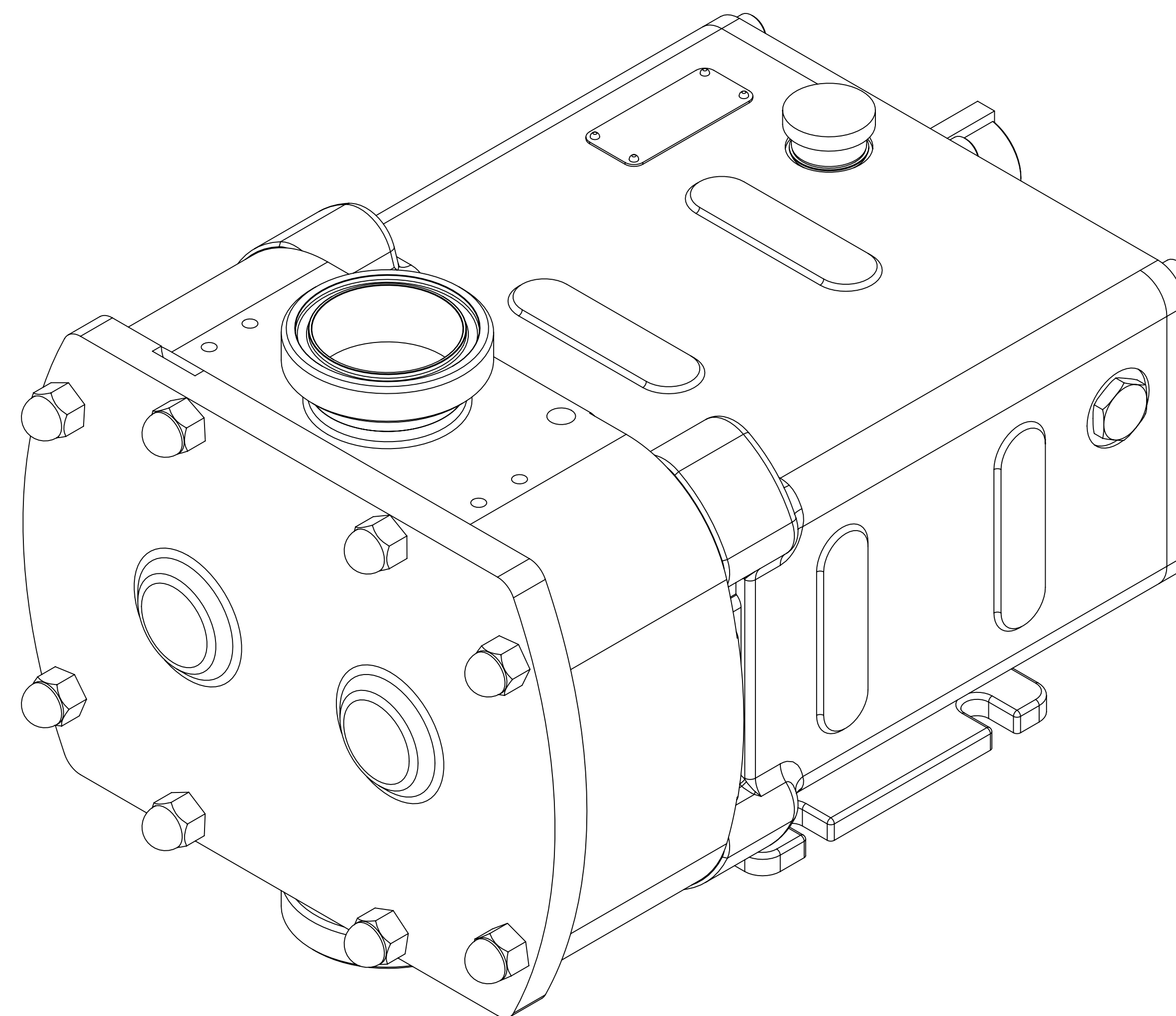


GENERAL ARRANGEMENT DETAILS

PUMP INFORMATION

PUMP MODEL	REVOLUTION - TWIN WING R0800X/17
LEFT/TOP CONNECTION	2.5" SMS Male
RIGHT/BOTTOM CONNECTION	2.5" SMS Male
DRIVE SHAFT POSITION	LEFT HAND DRIVE
FRONT COVER ADDITIONS	STANDARD
ROTORCASE ADDITIONS	STANDARD
GEARBOX ADDITIONS	STANDARD
PUMP ADDITIONS	STANDARD

THIS IS NOT A CERTIFIED DRAWING, USE FOR GENERAL INSTALLATION ONLY



UPDATED FORMAT AND PRECISION	B	02/10/2024
ISSUED	A	16/03/2021
AMENDMENT	ISSUE	DATE

VIKING PUMP
HYGIENIC
HIGHFIELD INDUSTRIAL ESTATE,
EASTBOURNE,
EAST SUSSEX, BN23 6PT
TEL: (+44) 1323 509211

COPYRIGHT:
THIS DRAWING IS THE SOLE
PROPERTY OF
VIKING PUMP HYGIENIC LTD.
IT MUST NOT BE COPIED OR USED
IN PART OR FULL WITHOUT PRIOR
WRITTEN CONSENT.

UNLESS OTHERWISE STATED:
ALL DIMENSIONS ± 2.50
ANGLES ± 2.0°
DO NOT SCALE THIS DRAWING
REMOVE BURRS AND SHARP EDGES
DIMENSIONS IN MILLIMETRES
IF IN DOUBT ASK

PROJECTION	DRAWN	CHECKED
	MEW	KCB

TITLE:	GENERAL ARRANGEMENT
DRG. NO:	GA4566