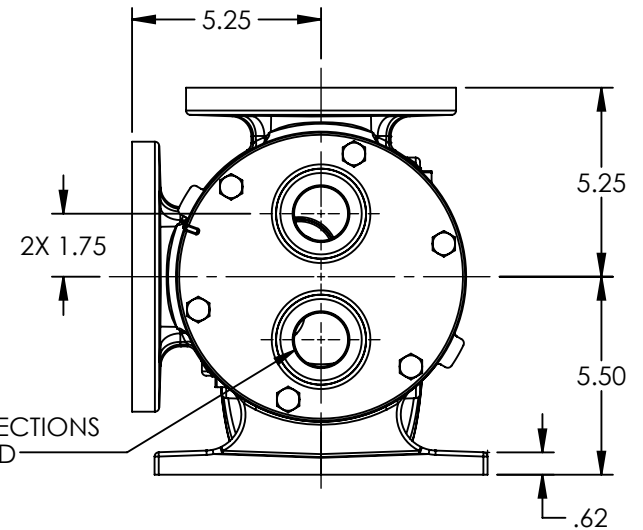
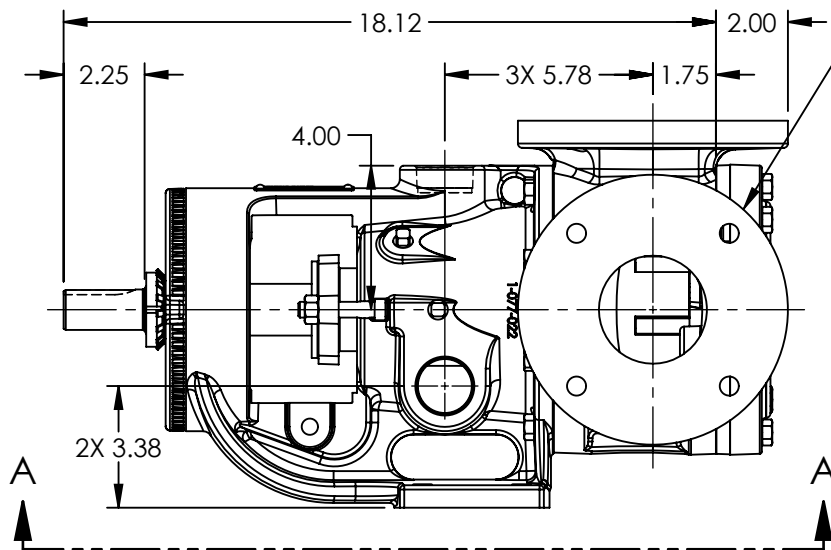


VIEW A-A

PORTS: 2X 3" FLANGES
 SUITABLE FOR USE WITH
 CLASS 125 ANSI FLANGES
 (224A, 1224A, 4224A, 4224B)
 CLASS 150 ANSI FLANGES
 (223A, 4223A, 226A, 4226A, 227A, 4227A)



MODELS WITH OPTIONAL FLANGED PORTS:
 K224A, K1224A, K4224A, K4224B, K223A, K4223A, K226A, K4226A, K227A, K4227A,
 KK224A, KK1224A, KK4224A, KK4224B, KK223A, KK4223A, KK226A, KK4226A, KK227A, KK4227A

NOTES:
 1. ALL DIMENSIONS ARE FOR REFERENCE ONLY.

STATE	Released	05/18/2021
DRAWN	sjakel	02/21/2019
CHECKED	BA	05/18/2021

DIMENSIONS ARE IN
 INCHES
 PROJECT:
 WAS:



VIKING PUMP, INC.
 A Unit of IDEX Corporation
 Cedar Falls, IA 50613 U.S.A.
 VIKINGPUMP.COM

THIS DRAWING IS THE PROPERTY OF
 VIKING PUMP, INC. AND IS PROPRIETARY
 IN GENERAL AND DETAIL. IT SHALL NOT BE
 COPIED OR ITS CONTENTS REVEALED TO
 OUTSIDE PARTIES WITHOUT THE WRITTEN
 CONSENT OF VIKING PUMP, INC.

3D

DWG. NO.
 KV-2207

SHEET 1 OF 1

REV. B.1

05/18/2021