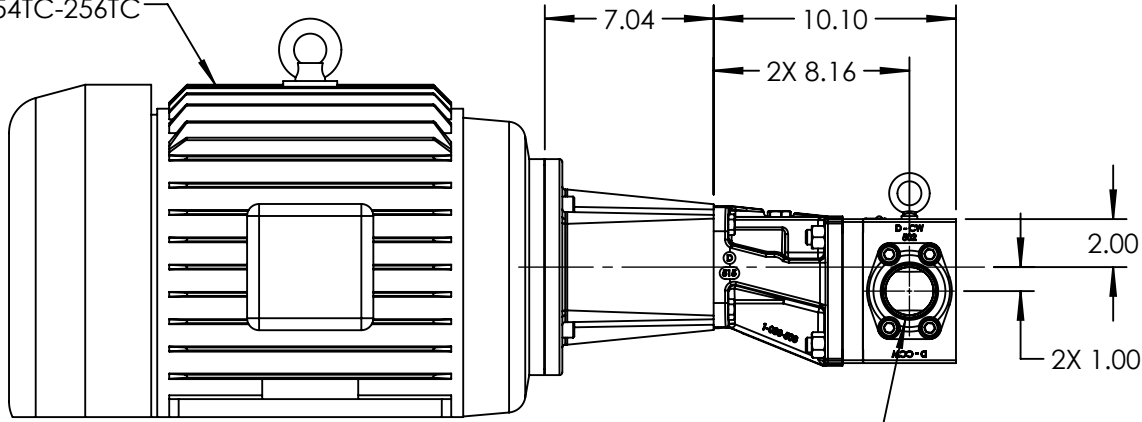
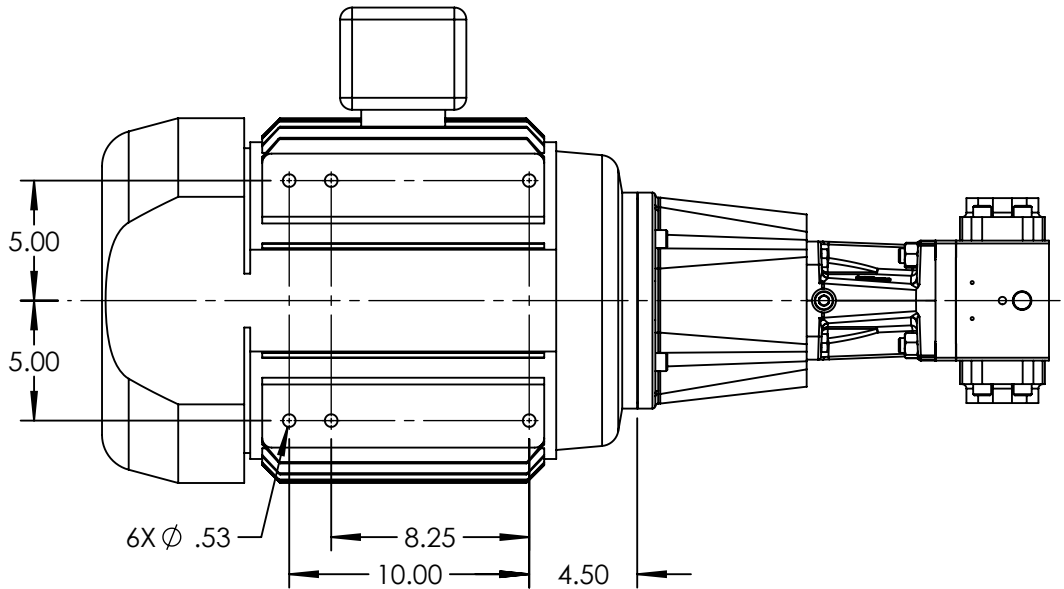
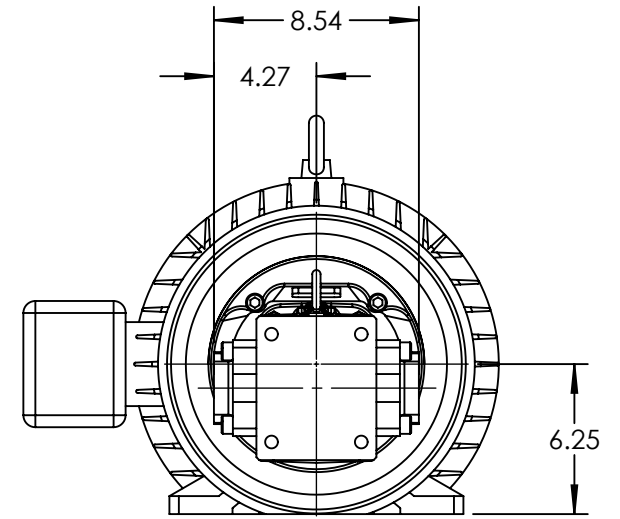


MOTOR FRAMES:
254TC-256TC



PORTS: 2X 2" NPT
OPPOSITE



MODELS: GL-41009-G0A-M, GL-41009-G1A-M, GL-41009-G0B-M, GL-41009-G1B-M

NOTES:

1. ALL DIMENSIONS ARE FOR REFERENCE ONLY.

STATE	Released	12/07/2018
DRAWN	cmihm	10/16/2018
CHECKED	JDP	12/07/2018

DIMENSIONS ARE IN INCHES
PROJECT: E299
WAS:



VIKING PUMP, INC.
A Unit of IDEX Corporation
Cedar Falls, IA 50613
U.S.A.

THIS DRAWING IS THE PROPERTY OF
VIKING PUMP, INC. AND IS PROPRIETARY
IN GENERAL AND DETAIL. IT SHALL NOT BE
COPIED OR ITS CONTENTS REVEALED TO
OUTSIDE PARTIES WITHOUT THE WRITTEN
CONSENT OF VIKING PUMP, INC.

3D

DWG. NO.	SHEET 1 OF 1
GPV-1009-016-U	

REV. A.0
12/07/2018