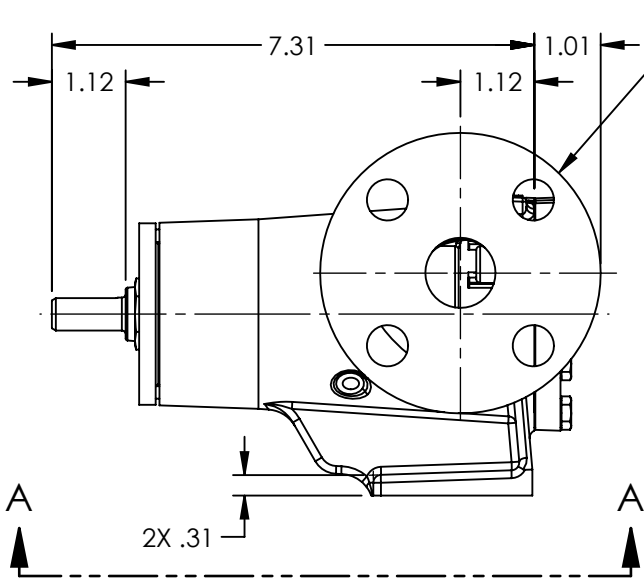
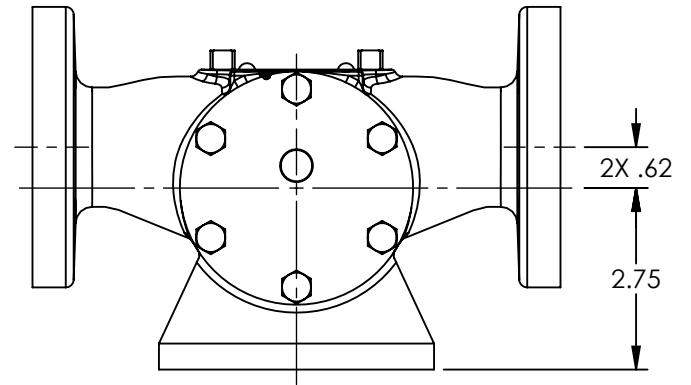


VIEW A-A



PORTS: 2X 1" FLANGES
SUITABLE FOR USE WITH
CLSAS 150 ANSI FLANGES



STANDARD MODEL: GG4197

NOTES:
1. ALL DIMENSIONS ARE FOR REFERENCE ONLY.

STATE	Released	04/20/2018
DRAWN	sjakel	04/20/2018
CHECKED	BAM	04/20/2018

DIMENSIONS ARE IN INCHES	
PROJECT:	
WAS:	



VIKING PUMP, INC.
A Unit of IDEX Corporation
Cedar Falls, IA 50613
U.S.A.

THIS DRAWING IS THE PROPERTY OF VIKING PUMP, INC. AND IS PROPRIETARY IN GENERAL AND DETAIL. IT SHALL NOT BE COPIED OR ITS CONTENTS REVEALED TO OUTSIDE PARTIES WITHOUT THE WRITTEN CONSENT OF VIKING PUMP, INC.

3D

DWG. NO.
GV-1373

SHEET 1 OF 1

REV. B.0

04/20/2018