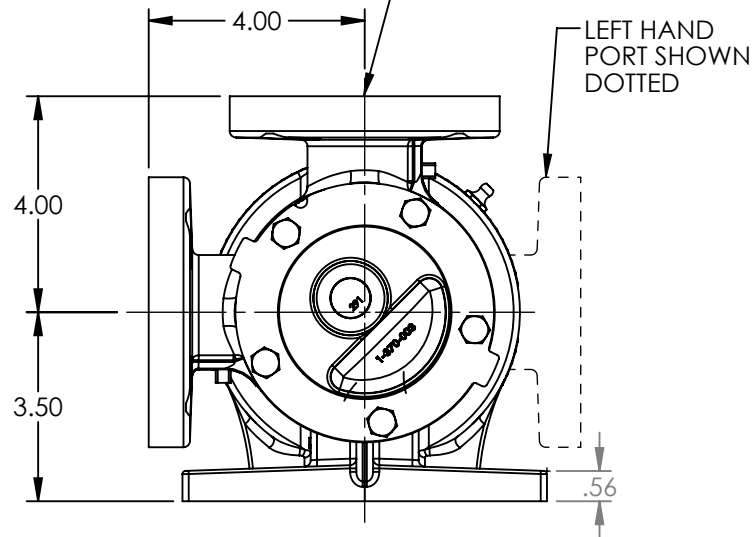
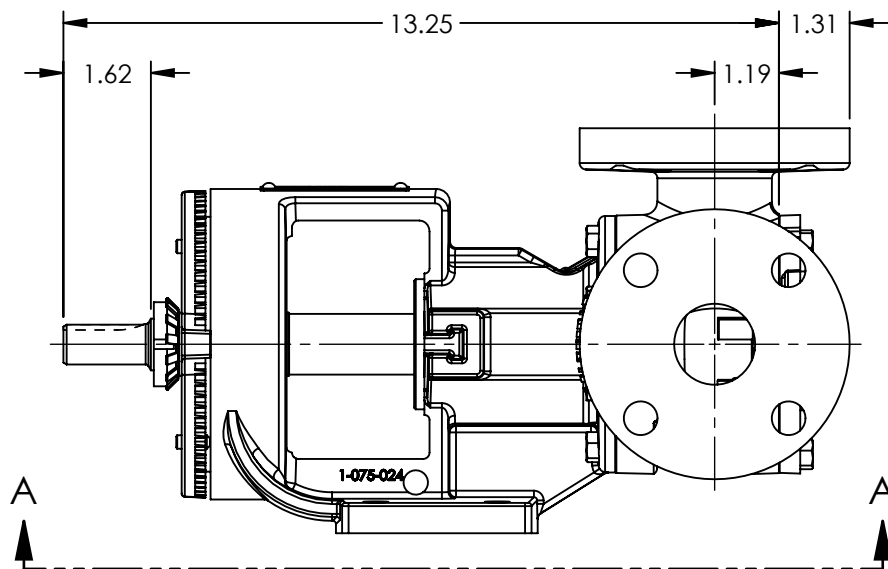


VIEW A-A

PORTS: 2X 1-1/2" FLANGES
SUITABLE FOR USE WITH
CLASS 150 ANSI FLANGES



STANDARD MODELS:
H123A, H4123A, H127A, H1127A, H4127A, HL123A, HL4123A, HL127A, HL1127A, HL4127A

NOTES:
1. ALL DIMENSIONS ARE FOR REFERENCE ONLY.

STATE	Released	11/12/2019
DRAWN	sjakel	05/02/2019
CHECKED	AA	11/12/2019

DIMENSIONS ARE IN INCHES	
PROJECT:	
WAS:	



VIKING PUMP, INC.
A Unit of IDEX Corporation
Cedar Falls, IA 50613
U.S.A.

THIS DRAWING IS THE PROPERTY OF VIKING PUMP, INC. AND IS PROPRIETARY IN GENERAL AND DETAIL. IT SHALL NOT BE COPIED OR ITS CONTENTS REVEALED TO OUTSIDE PARTIES WITHOUT THE WRITTEN CONSENT OF VIKING PUMP, INC.

3D

DWG. NO.
HV-3736

SHEET 1 OF 1

REV. C.1

11/12/2019