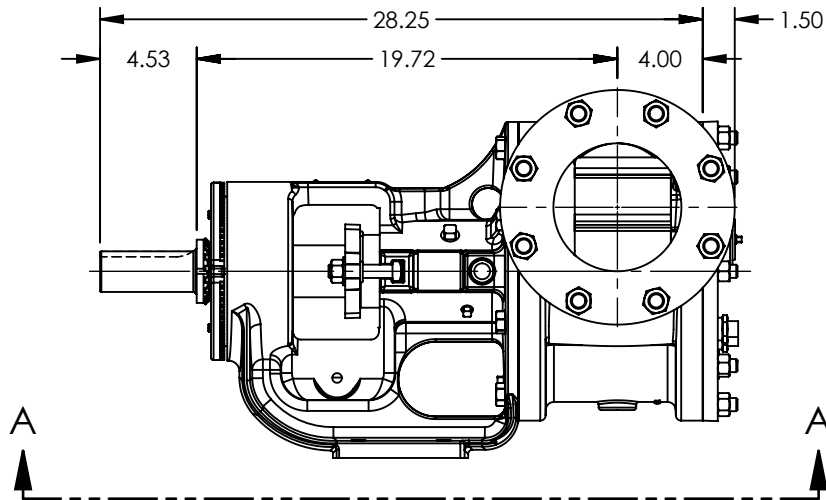
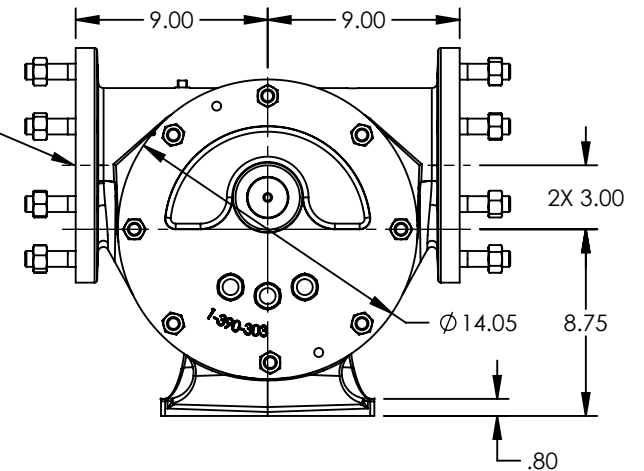


VIEW A-A



PORTS: 2X 6" FLANGES  
SUITABLE FOR USE WITH  
CLASS 125 ANSI FLANGES



NOTES:

1. ALL DIMENSIONS ARE FOR REFERENCE ONLY.
2. HEATER CONDUIT HIDDEN FOR CLARITY.

STANDARD MODEL: QS124E

STATE	Released	08/09/2018
DRAWN	tdutcher	6/7/2011
CHECKED	BAM	08/09/2018

DIMENSIONS ARE IN INCHES	
PROJECT:	D380
WAS:	



VIKING PUMP, INC.  
A Unit of IDEX Corporation  
Cedar Falls, IA 50613  
U.S.A.

THIS DRAWING IS THE PROPERTY OF VIKING PUMP, INC. AND IS PROPRIETARY IN GENERAL AND DETAIL. IT SHALL NOT BE COPIED OR ITS CONTENTS REVEALED TO OUTSIDE PARTIES WITHOUT THE WRITTEN CONSENT OF VIKING PUMP, INC.

3D

DWG. NO.  
QV-1986

SHEET 1 OF 1

REV. B.0

08/09/2018