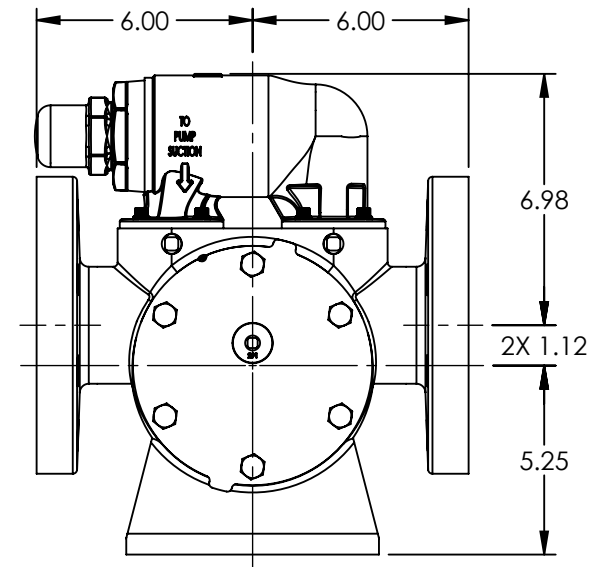


PORTS: 2X 3" FLANGES
SUITABLE FOR USE WITH
CLASS 300 ANSI FLANGES



STANDARD MODELS: AS4193, AK4193

NOTES:
1. ALL DIMENSIONS ARE FOR REFERENCE ONLY.

STATE	Released	05/23/2019
DRAWN	sjakel	05/02/2019
CHECKED	BAM	05/23/2019

DIMENSIONS ARE IN
INCHES
PROJECT:
WAS:



VIKING PUMP, INC.
A Unit of IDEX Corporation
Cedar Falls, IA 50613
U.S.A.

THIS DRAWING IS THE PROPERTY OF
VIKING PUMP, INC. AND IS PROPRIETARY
IN GENERAL AND DETAIL. IT SHALL NOT BE
COPIED OR ITS CONTENTS REVEALED TO
OUTSIDE PARTIES WITHOUT THE WRITTEN
CONSENT OF VIKING PUMP, INC.

3D

DWG. NO.
AV-793

SHEET 1 OF 1

REV. C.0
05/23/2019