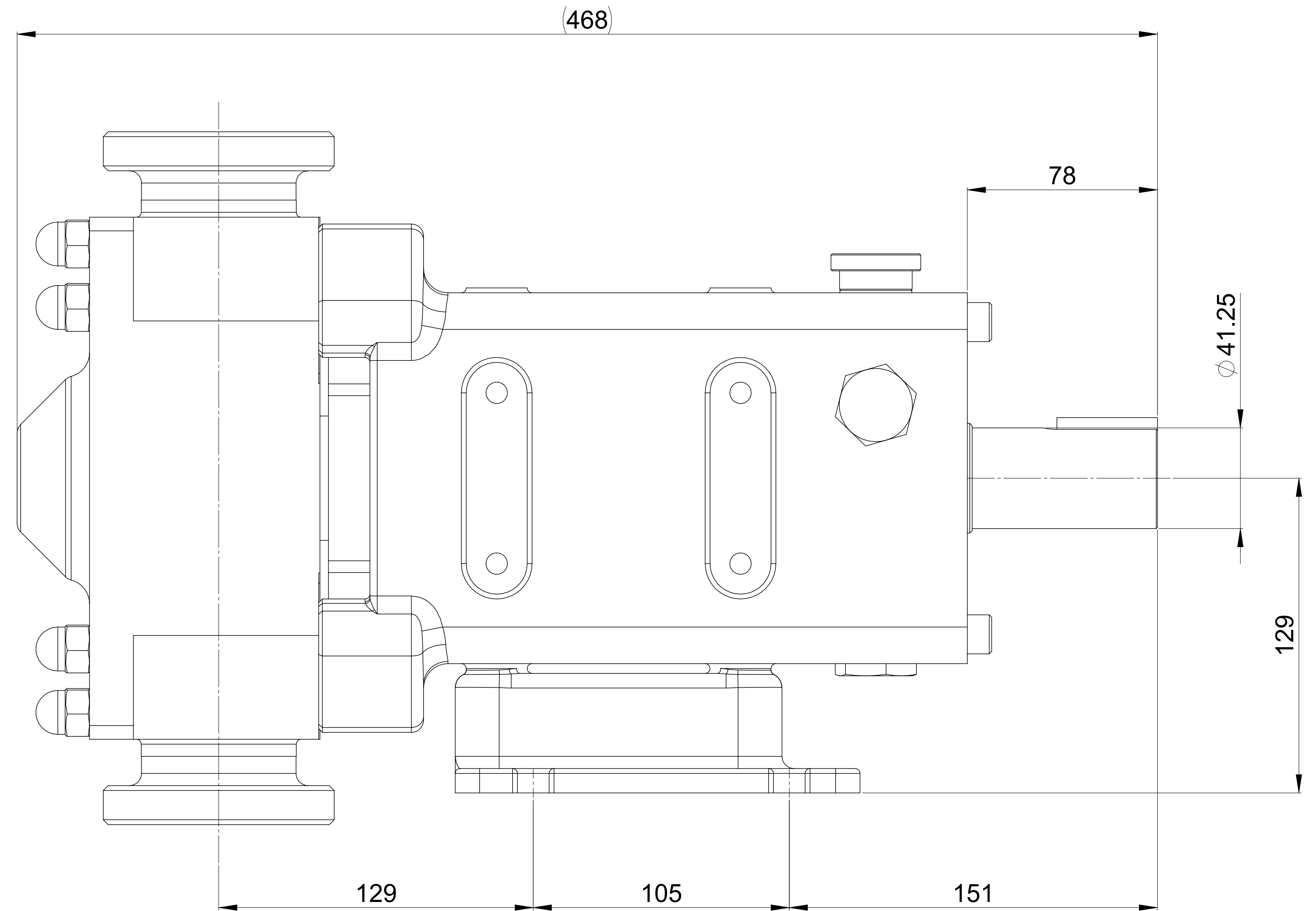
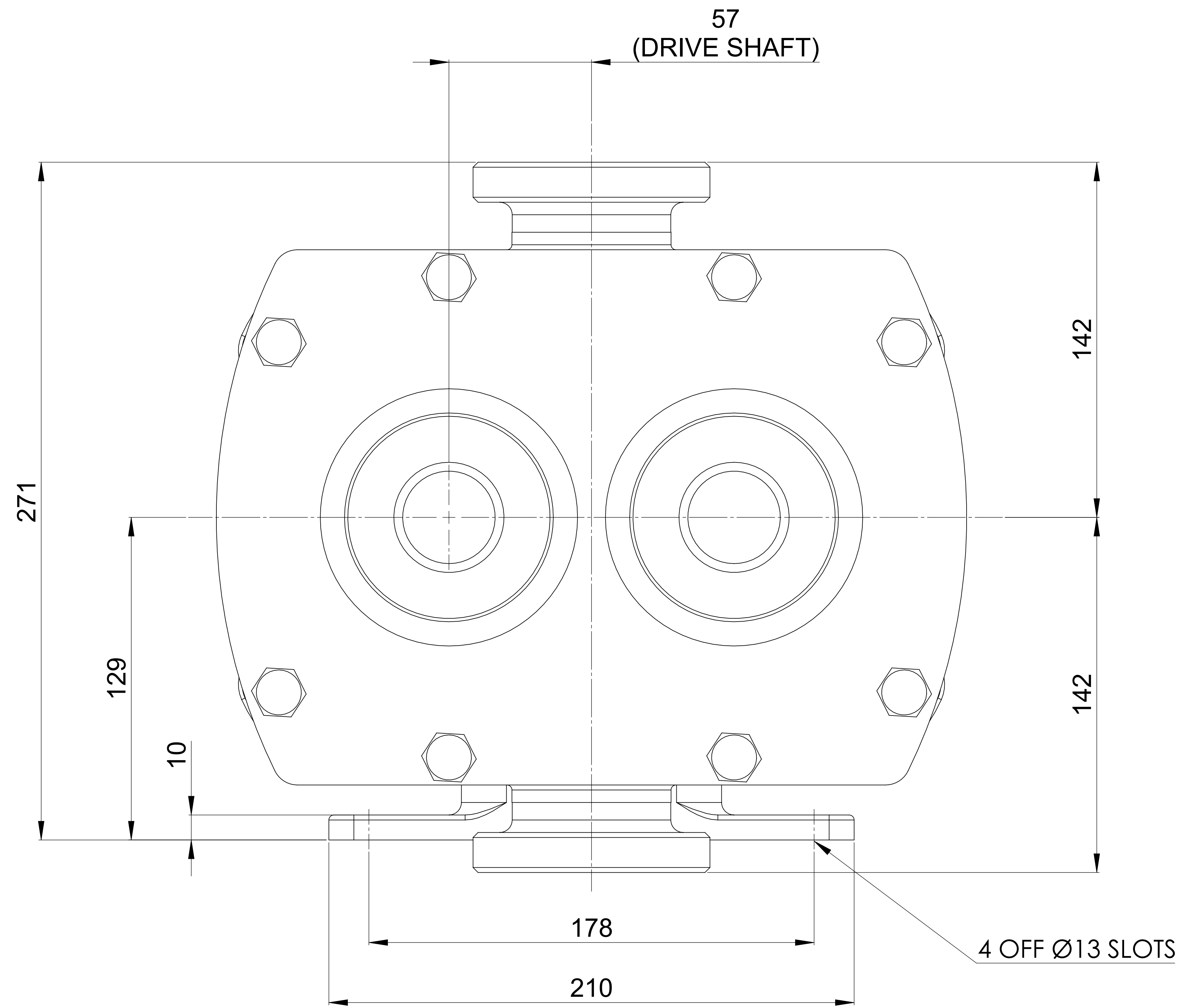
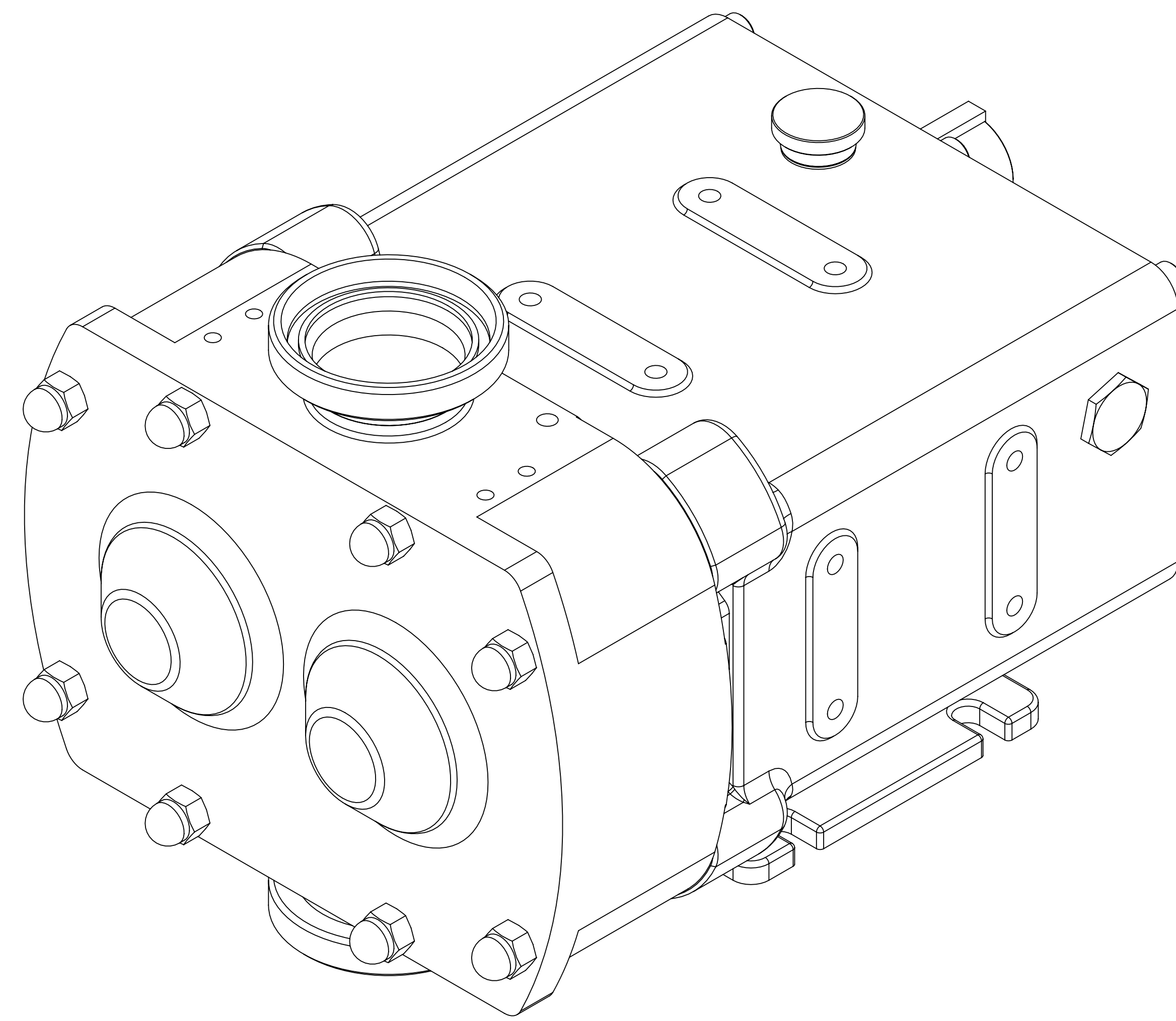


GENERAL ARRANGEMENT DETAILS

PUMP INFORMATION

PUMP MODEL	REVOLUTION - TWIN WING R0600P/21
LEFT/TOP CONNECTION	2.5" DIN 11851 MALE
RIGHT/BOTTOM CONNECTION	2.5" DIN 11851 MALE
DRIVE SHAFT POSITION	LEFT HAND DRIVE
FRONT COVER ADDITIONS	STANDARD
ROTORCASE ADDITIONS	STANDARD
GEARBOX ADDITIONS	STANDARD
PUMP ADDITIONS	STANDARD

THIS IS NOT A CERTIFIED DRAWING, USE FOR GENERAL INSTALLATION ONLY



ISSUED	A	04/08/2020
AMENDMENT	ISSUE	DATE

**wright flow**  
**TECHNOLOGIES**  
 HIGHFIELD INDUSTRIAL ESTATE,  
 EASTBOURNE,  
 EAST SUSSEX, BN23 6PT  
 TEL: (+44) 1323 509211

**COPYRIGHT:**  
 THIS DRAWING IS THE SOLE  
 PROPERTY OF  
**WRIGHT FLOW TECHNOLOGIES LTD.**  
 IT MUST NOT BE COPIED OR USED  
 IN PART OR FULL WITHOUT PRIOR  
 WRITTEN CONSENT.

UNLESS OTHERWISE STATED:  
 ALL DIMENSIONS ± 2.50  
 ANGLES ±2.0°  
 DO NOT SCALE THIS DRAWING  
 REMOVE BURRS AND SHARP EDGES  
 DIMENSIONS IN MILLIMETRES  
**IF IN DOUBT ASK**

PROJECTION	DRAWN	CHECKED
	KCB	IPJB

TITLE:	GENERAL ARRANGEMENT
DRG. NO:	<b>GA4441</b>