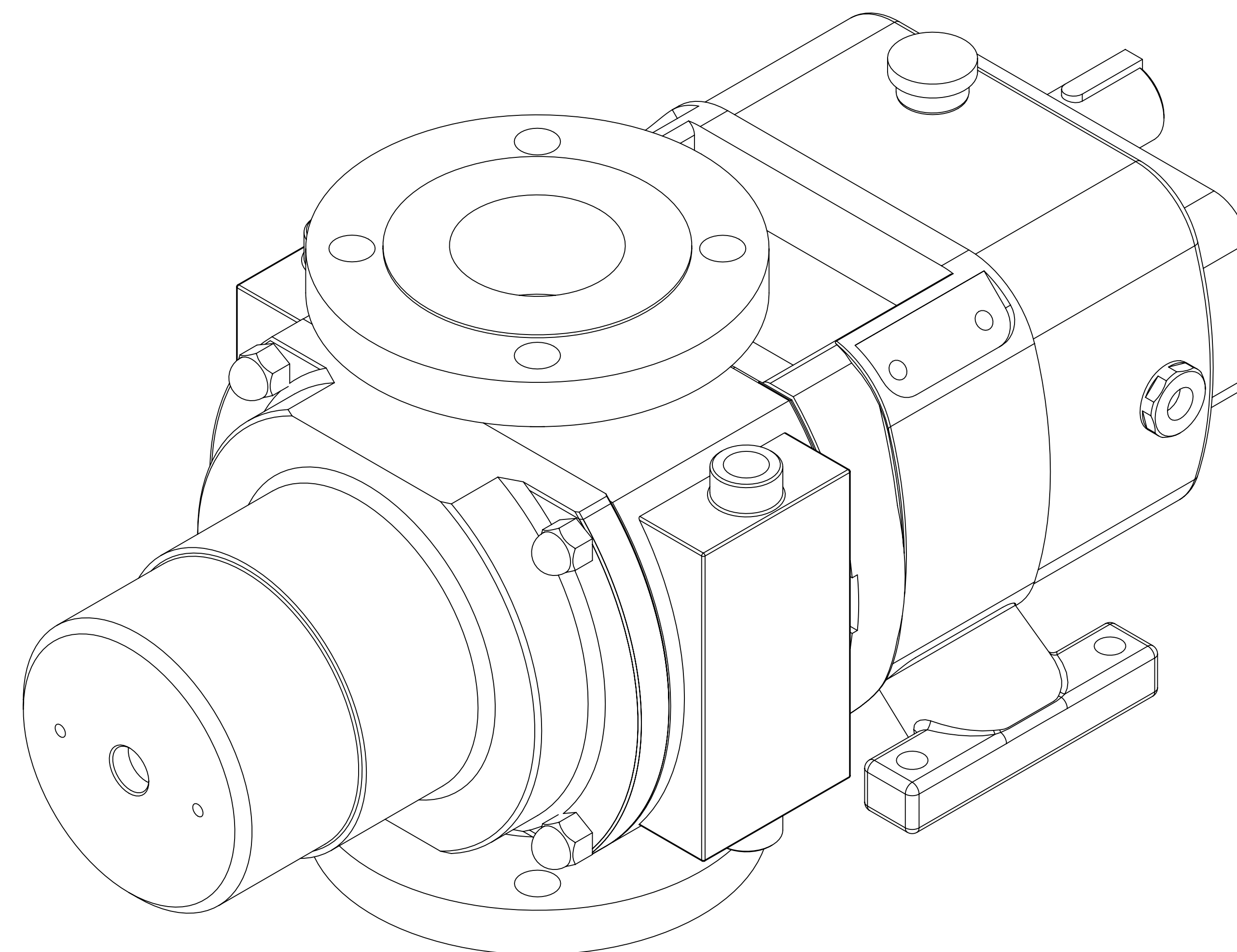


GENERAL ARRANGEMENT DETAILS

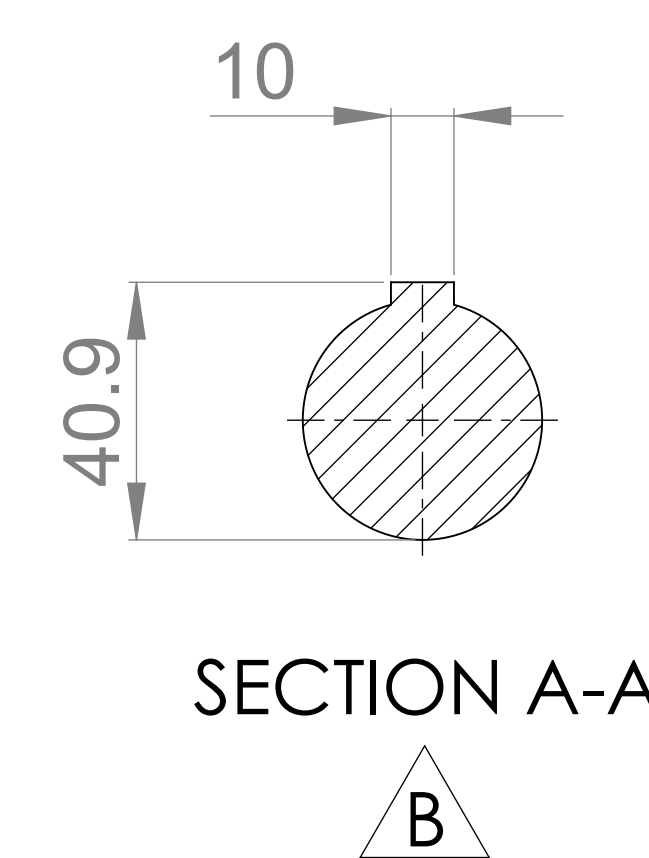
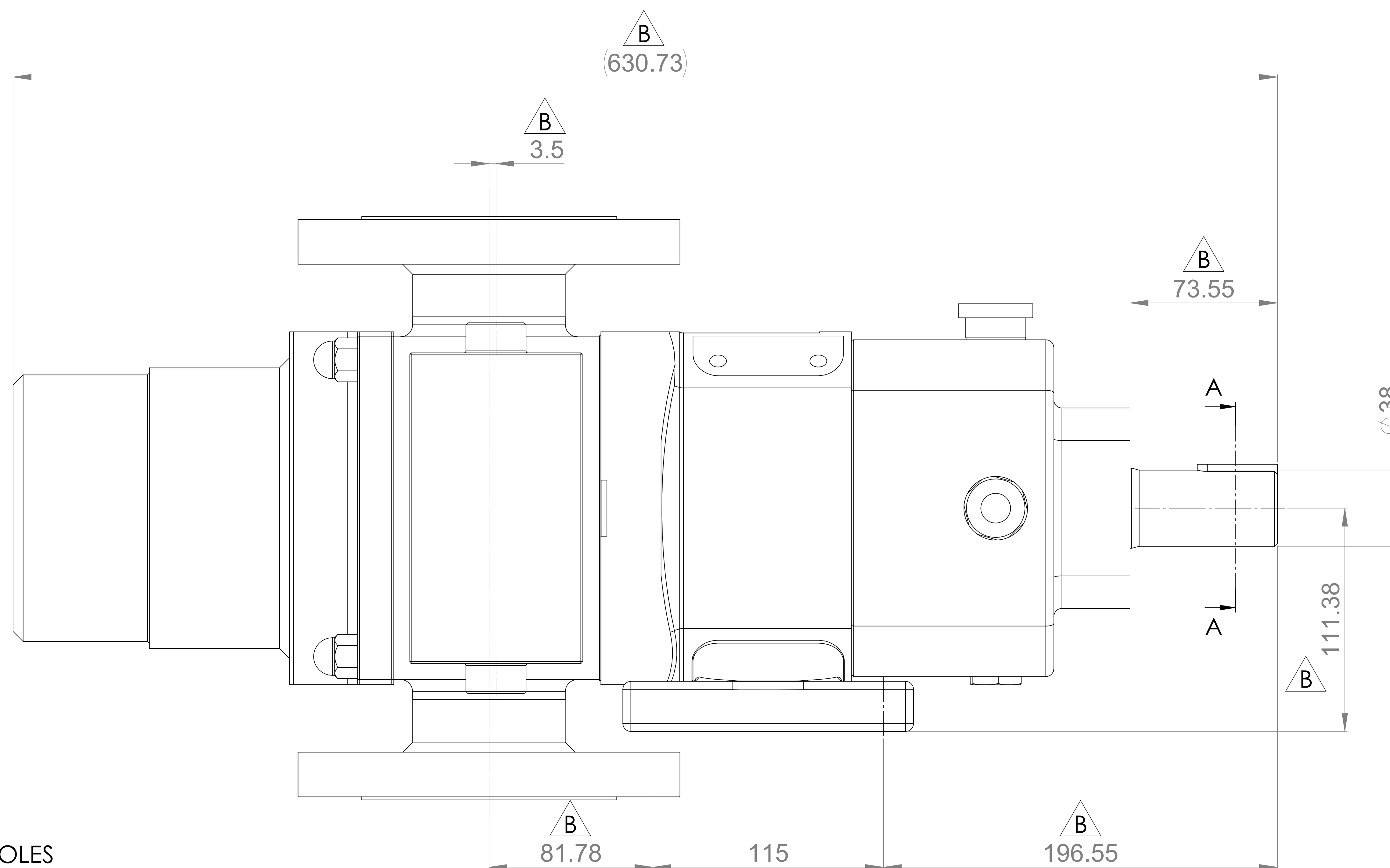
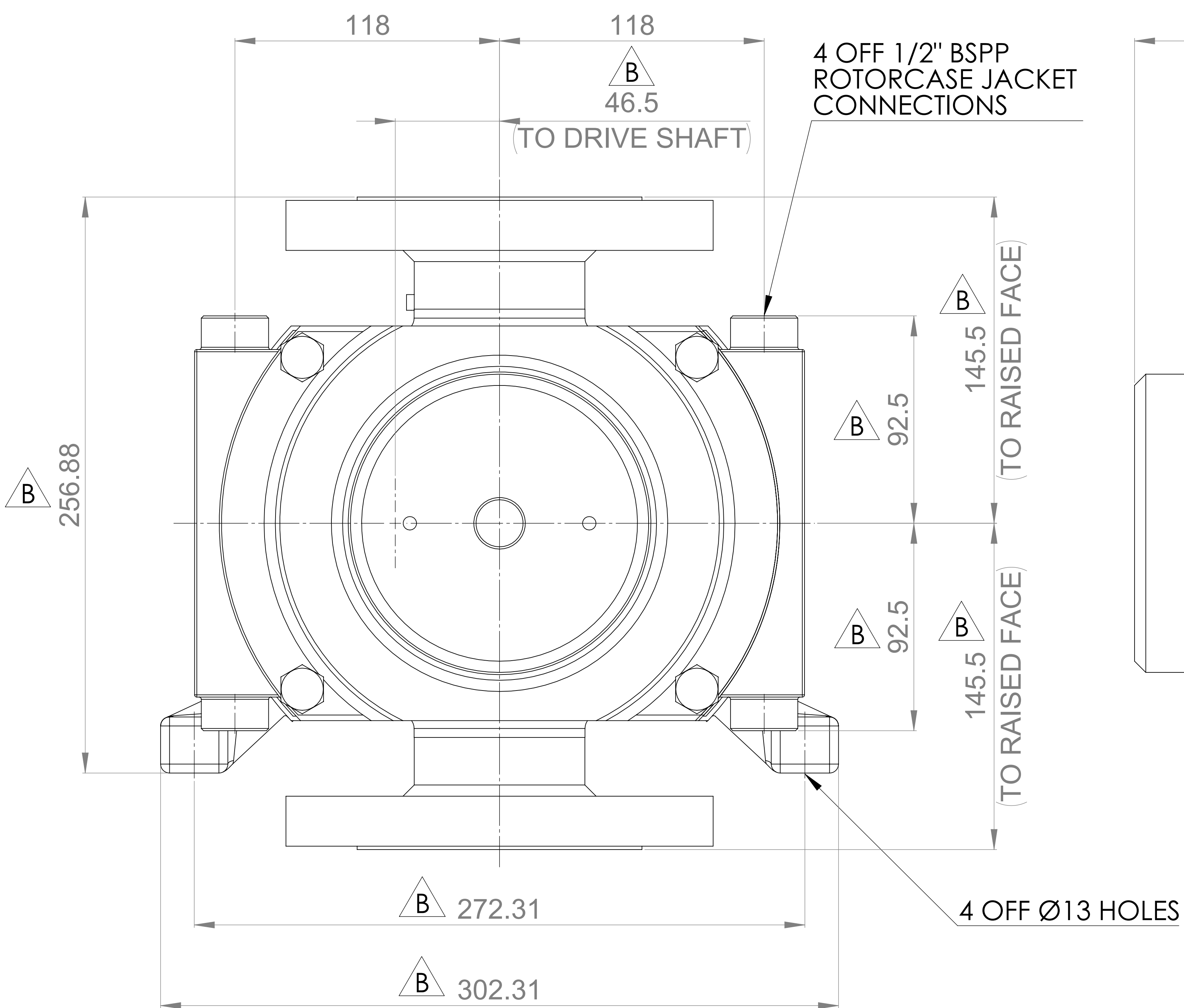
PUMP INFORMATION

PUMP MODEL	MULTIPUMP MP30/0113/07
LEFT/TOP CONNECTION	3" ASA/ANSI 150 lb RF
RIGHT/BOTTOM CONNECTION	3" ASA/ANSI 150 lb RF
DRIVE SHAFT POSITION	LEFT HAND DRIVE
FRONT COVER ADDITIONS	SPRING PRV
ROTORCASE ADDITIONS	ROTORCASE JACKET
GEARBOX ADDITIONS	STANDARD
PUMP ADDITIONS	STANDARD

THIS IS NOT A CERTIFIED DRAWING, USE FOR GENERAL INSTALLATION ONLY



B



UPDATED FORMAT AND PRECISION	B	10/10/2024
ISSUED	A	23/11/2017
AMENDMENT	ISSUE	DATE

<p>VIKING PUMP HYGIENIC</p> <p>HIGHFIELD INDUSTRIAL ESTATE, EASTBOURNE, EAST SUSSEX, BN23 6PT TEL: (+44) 1323 509211</p>	<p>COPYRIGHT: THIS DRAWING IS THE SOLE PROPERTY OF VIKING PUMP HYGIENIC LTD. IT MUST NOT BE COPIED OR USED IN PART OR FULL WITHOUT PRIOR WRITTEN CONSENT.</p>	<p>UNLESS OTHERWISE STATED: ALL DIMENSIONS ± 2.50 ANGLES ± 2.0° DO NOT SCALE THIS DRAWING REMOVE BURRS AND SHARP EDGES DIMENSIONS IN MILLIMETRES IF IN DOUBT ASK</p>	PROJECTION	DRAWN	CHECKED	TITLE:
				KCB	IPJB	GENERAL ARRANGEMENT
						DRG. NO:
						GA3806