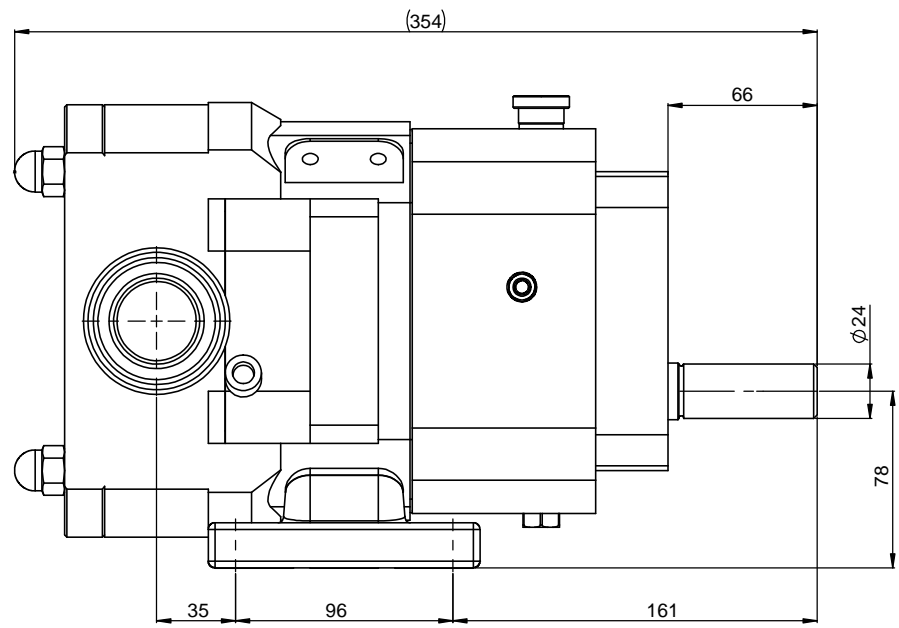
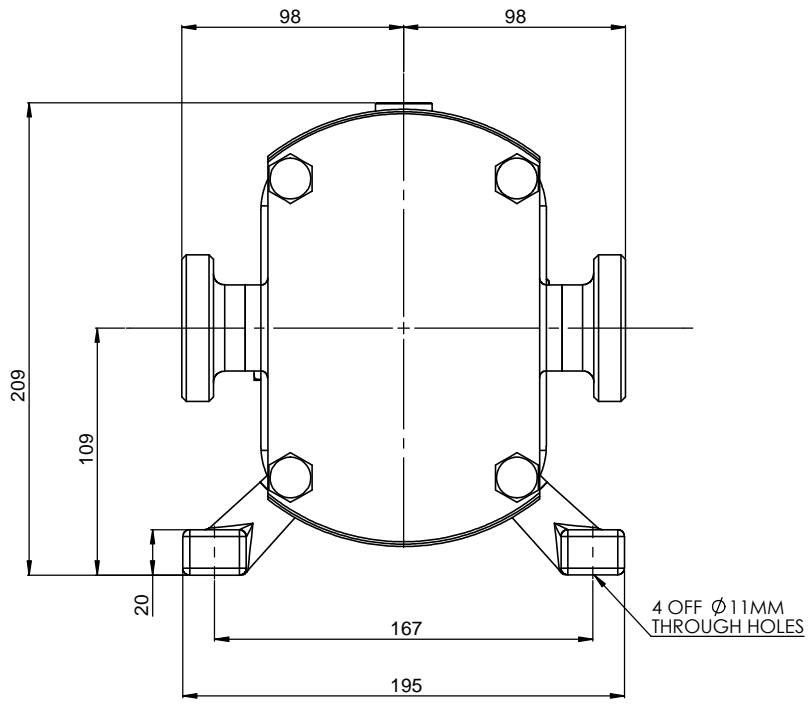
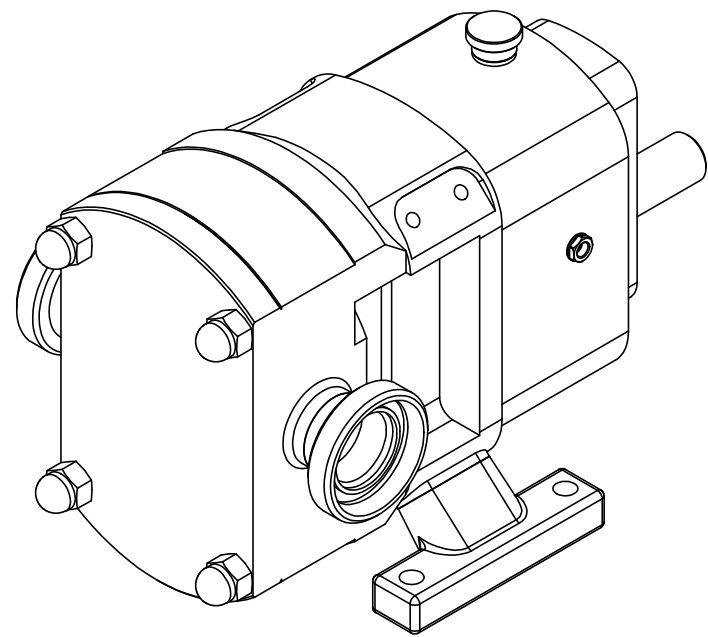


GENERAL ARRANGEMENT DETAILS	
PUMP INFORMATION	
PUMP MODEL	CP20/0020
INLET CONNECTION	1.5" DIN 11851
OUTLET CONNECTION	1.5" DIN 11851
SPECIAL FEATURES	NONE

THIS IS NOT A CERTIFIED DRAWING, USE FOR GENERAL INSTALLATION ONLY



ISSUED	A	16/02/2015
AMENDMENT	ISSUE	DATE

 HIGHFIELD INDUSTRIAL ESTATE, EAST SUSSEX, BN23 6PT TEL: (+44) 1323 508211	<b>COPYRIGHT:</b> THIS DRAWING IS THE SOLE PROPERTY OF <b>WRIGHT FLOW TECHNOLOGIES LTD.</b> EAST SUSSEX, EAST SUSSEX, BN23 6PT TEL: (+44) 1323 508211	UNLESS OTHERWISE STATED: ALL DIMENSIONS ± 2.50 ANGLES ±2.0° DO NOT SCALE THIS DRAWING REMOVE BURRS AND SHARP EDGES DIMENSIONS IN MILLIMETRES <b>IF IN DOUBT ASK</b>	PROJECTION	DRAWN	CHECKED	TITLE
				KCB	IPJB	GENERAL ARRANGEMENT GA3008