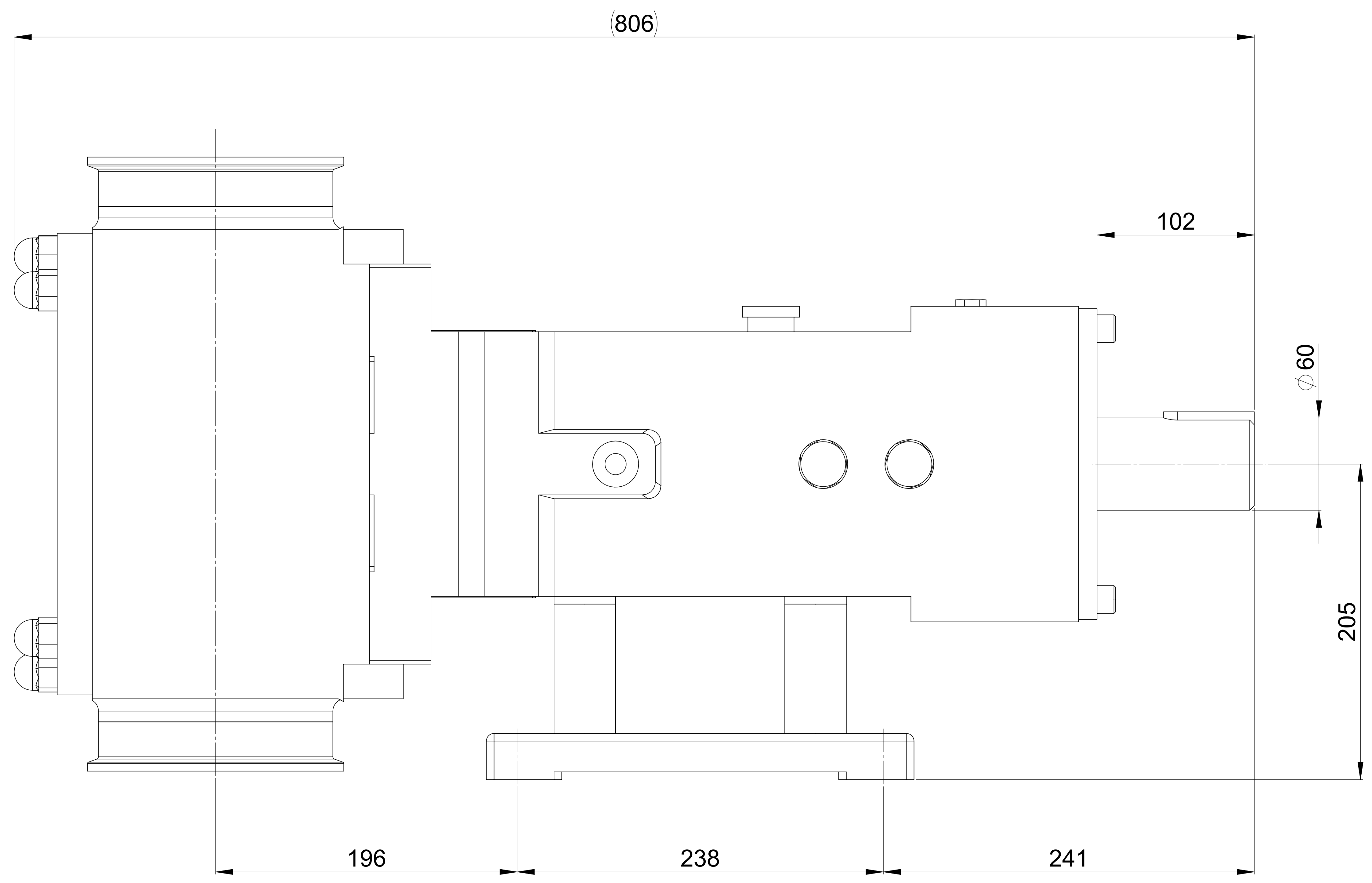
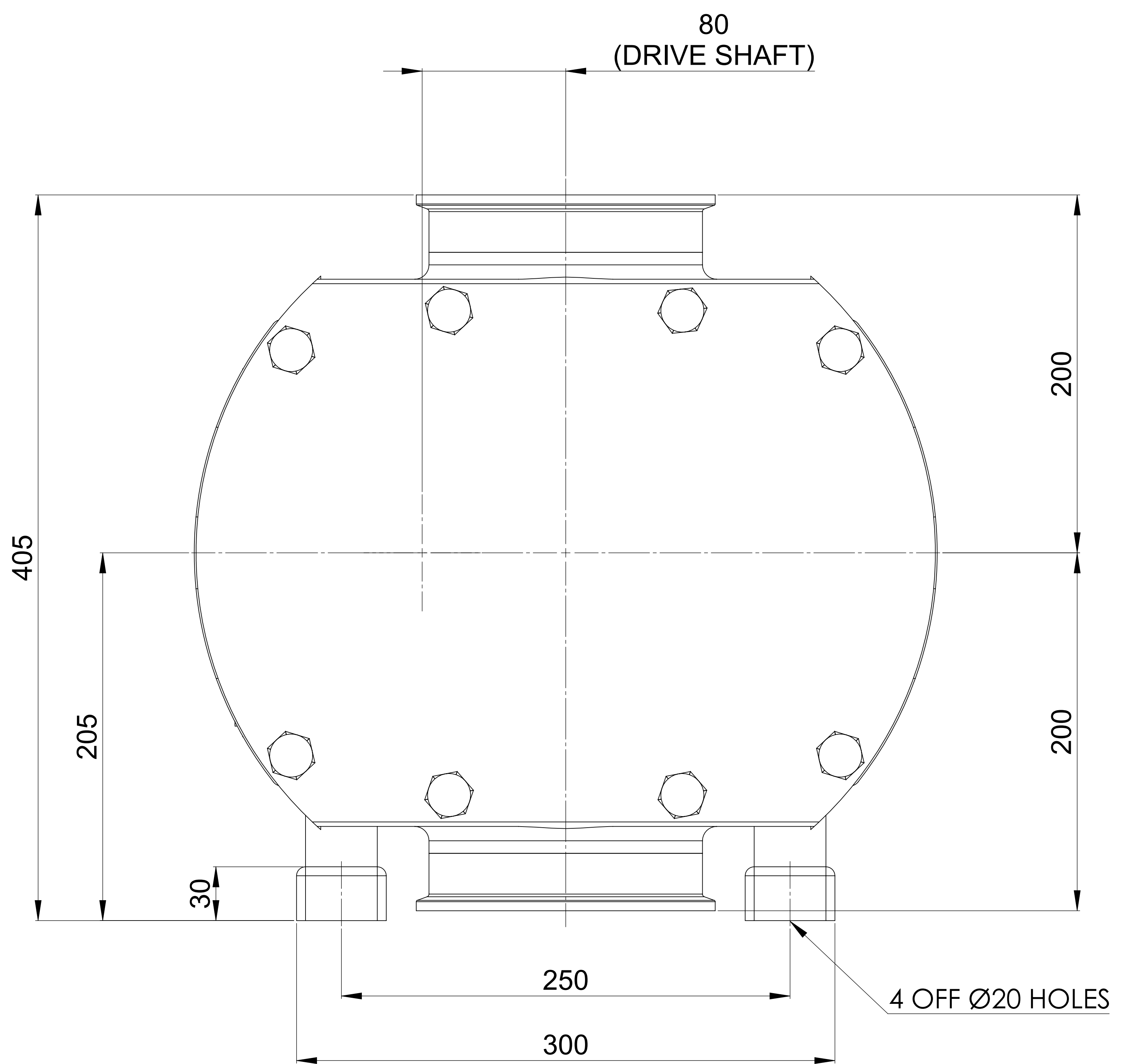
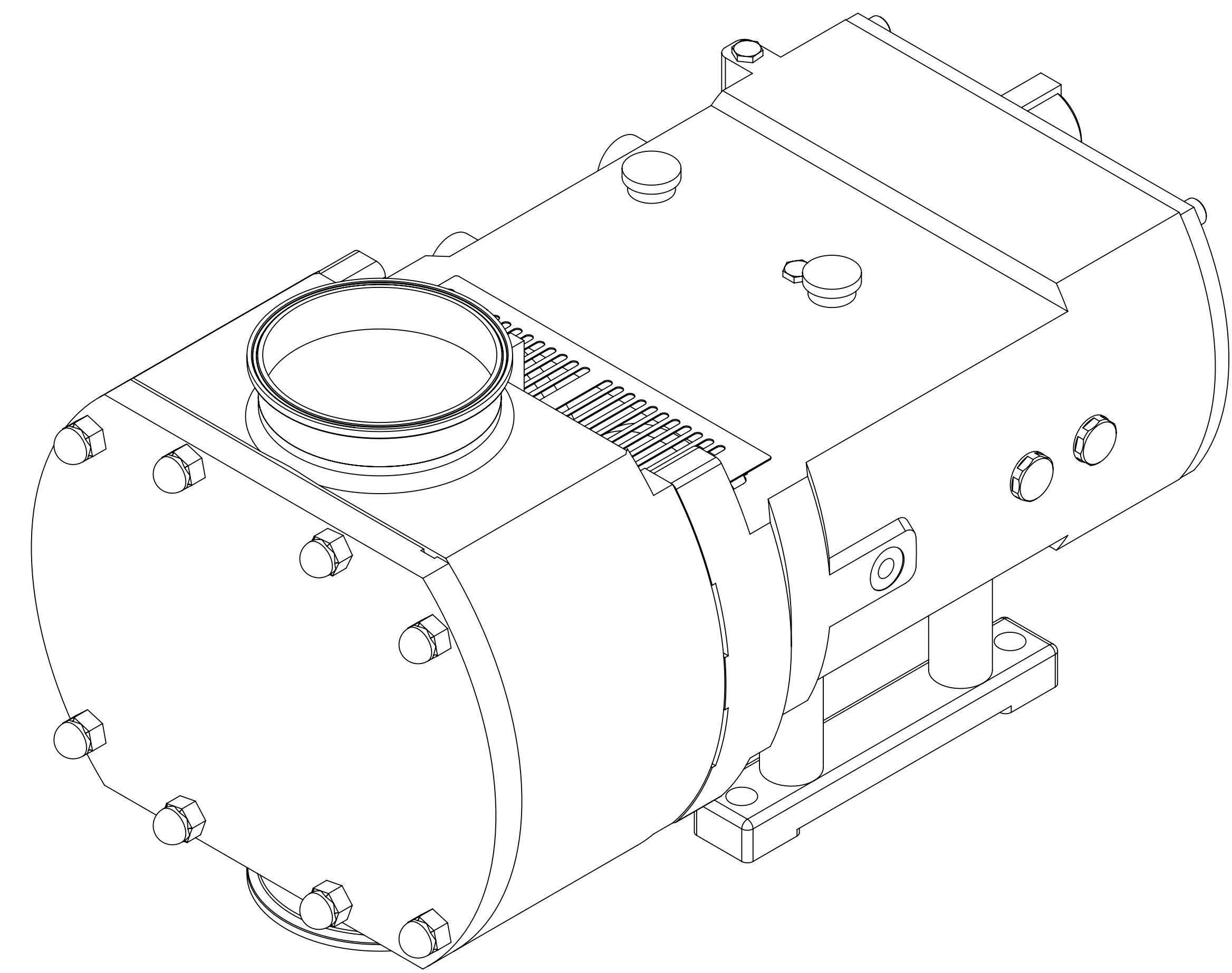


GENERAL ARRANGEMENT DETAILS

PUMP INFORMATION

PUMP MODEL	MULTIPUMP MP50/0525/08
LEFT/TOP CONNECTION	6" TRI-CLAMP
RIGHT/BOTTOM CONNECTION	6" TRI-CLAMP
DRIVE SHAFT POSITION	LEFT HAND DRIVE
FRONT COVER ADDITIONS	STANDARD
ROTORCASE ADDITIONS	STANDARD
GEARBOX ADDITIONS	STANDARD
PUMP ADDITIONS	STANDARD

THIS IS NOT A CERTIFIED DRAWING, USE FOR GENERAL INSTALLATION ONLY



ISSUED	A	03/11/2020
AMENDMENT	ISSUE	DATE

wright flow
TECHNOLOGIES
 HIGHFIELD INDUSTRIAL ESTATE,
 EASTBOURNE,
 EAST SUSSEX, BN23 6PT
 TEL: (+44) 1323 509211

COPYRIGHT:
 THIS DRAWING IS THE SOLE
 PROPERTY OF
WRIGHT FLOW TECHNOLOGIES LTD.
 IT MUST NOT BE COPIED OR USED
 IN PART OR FULL WITHOUT PRIOR
 WRITTEN CONSENT.

UNLESS OTHERWISE STATED:
 ALL DIMENSIONS ± 2.50
 ANGLES ± 2.0°
 DO NOT SCALE THIS DRAWING
 REMOVE BURRS AND SHARP EDGES
 DIMENSIONS IN MILLIMETRES
IF IN DOUBT ASK

PROJECTION	DRAWN	CHECKED
	KCB	IPJB

TITLE:	GENERAL ARRANGEMENT
DRG. NO:	GA4490