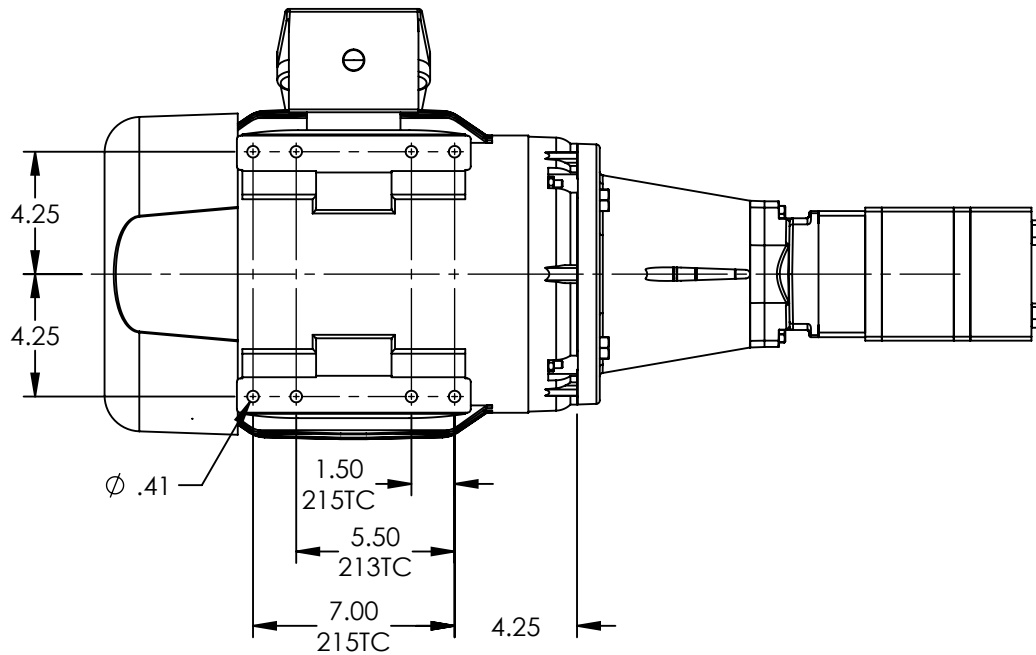
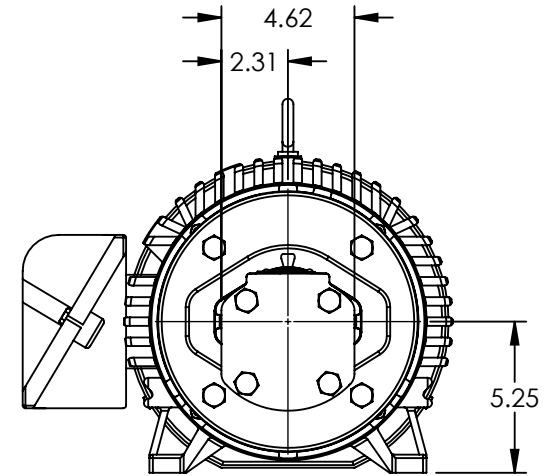
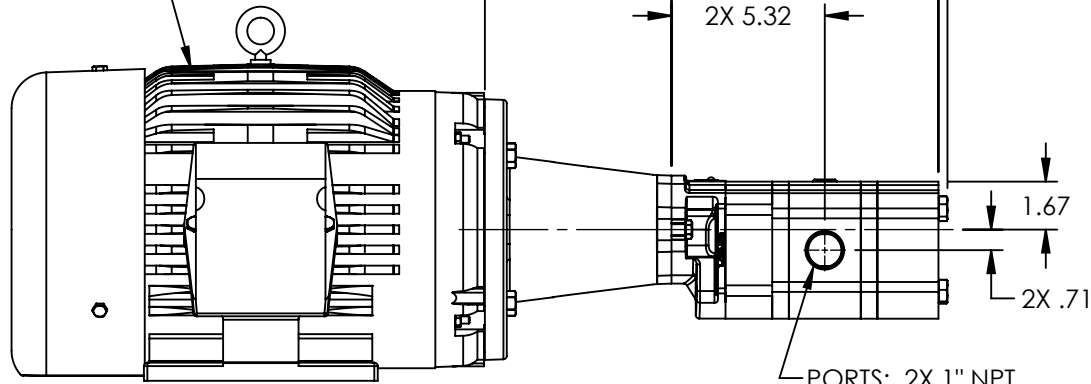


MOTOR: FRAMES
213TC-215TC



STANDARD MODELS: GL-40712-G0A-M, GL-40712-G1A-M, GL-40712-G0B-M, GL-40712-G1B-M

NOTES:
1. ALL DIMENSIONS ARE FOR REFERENCE ONLY.

STATE	Released	05/21/2019
DRAWN	cmihm	1/4/2019
CHECKED	JDP	05/21/2019

DIMENSIONS ARE IN INCHES
PROJECT: E299
WAS:



VIKING PUMP, INC.
A Unit of IDEX Corporation
Cedar Falls, IA 50613
U.S.A.

THIS DRAWING IS THE PROPERTY OF
VIKING PUMP, INC. AND IS PROPRIETARY
IN GENERAL AND DETAIL. IT SHALL NOT BE
COPIED OR ITS CONTENTS REVEALED TO
OUTSIDE PARTIES WITHOUT THE WRITTEN
CONSENT OF VIKING PUMP, INC.

3D

DWG. NO. GPV-0712-03

SHEET 1 OF 1

REV. A.0

05/21/2019