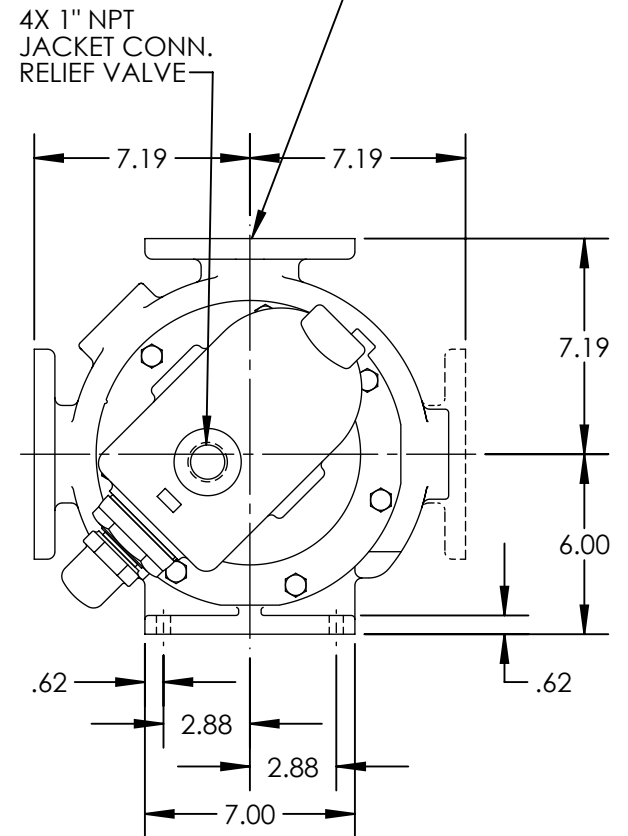
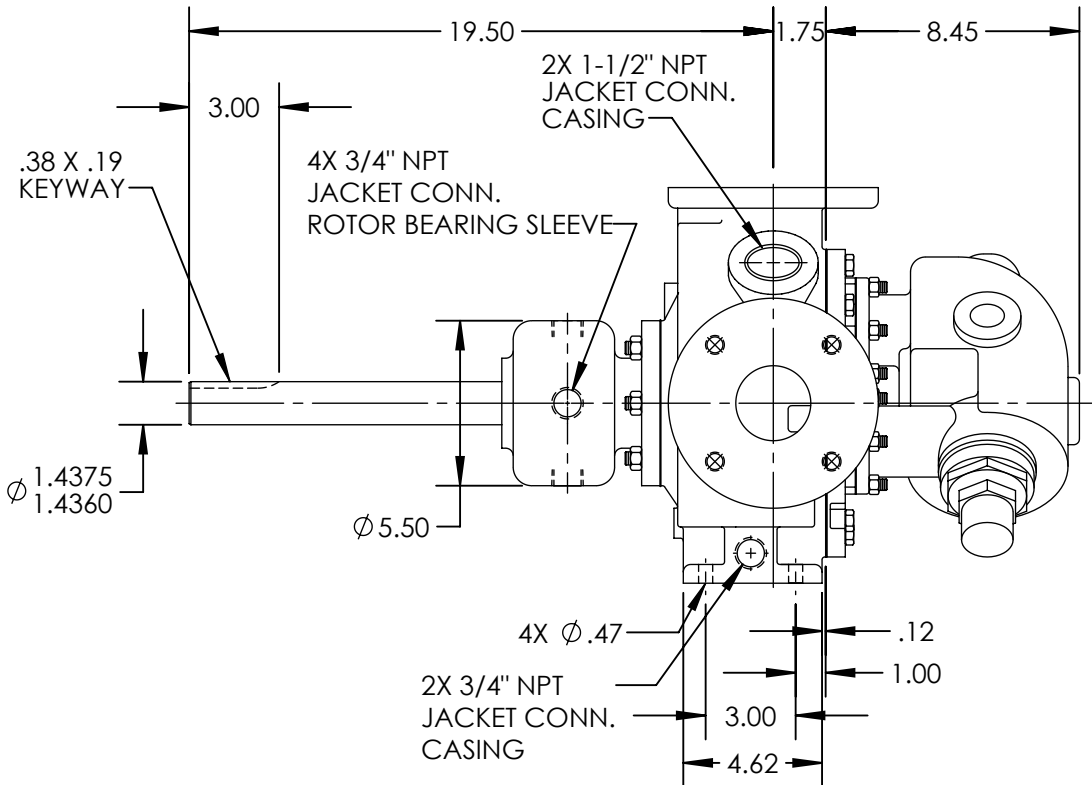


PORTS: 2X 2-1/2" RIGHT HAND FLANGES WITH STUDS AND NUTS (NOT SHOWN) SUITABLE FOR USE WITH CLASS 125 ANSI FLANGES



STANDARD MODELS: LQ34, LQ434

STATE	Released	03/02/2012
DRAWN	bmanernach	2/21/2012
CHECKED	JDP	03/01/2012

DIMENSIONS ARE IN INCHES
PROJECT:
WAS:



VIKING PUMP, INC.
A Unit of IDEX Corporation
Cedar Falls, IA 50613
U.S.A.

THIS DRAWING IS THE PROPERTY OF VIKING PUMP, INC. AND IS PROPRIETARY IN GENERAL AND DETAIL. IT SHALL NOT BE COPIED OR ITS CONTENTS REVEALED TO OUTSIDE PARTIES WITHOUT THE WRITTEN CONSENT OF VIKING PUMP, INC.

2D

DWG. NO.
LV-3807

SHEET 1 OF 1

REV. B.0

03/02/2012