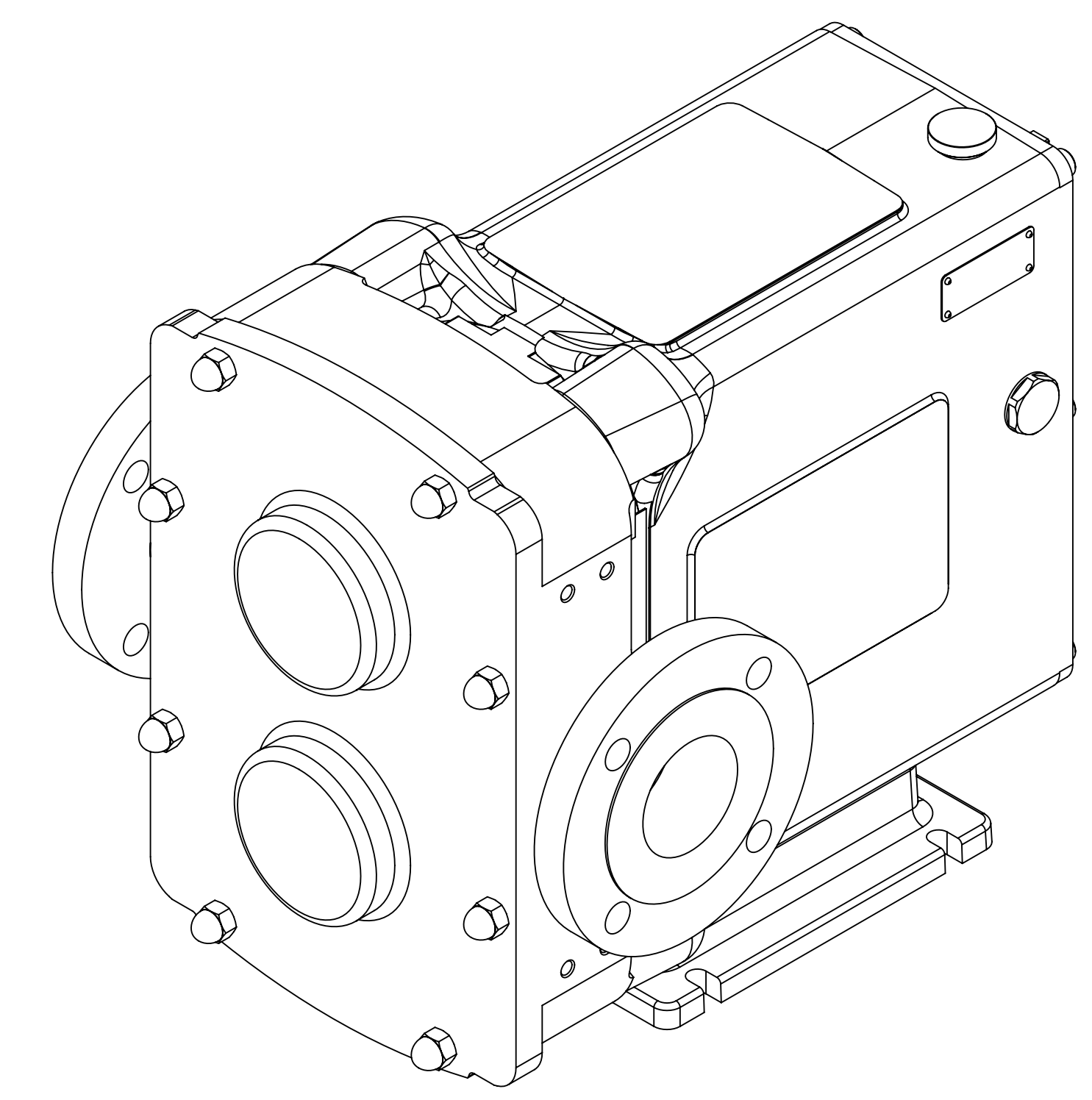


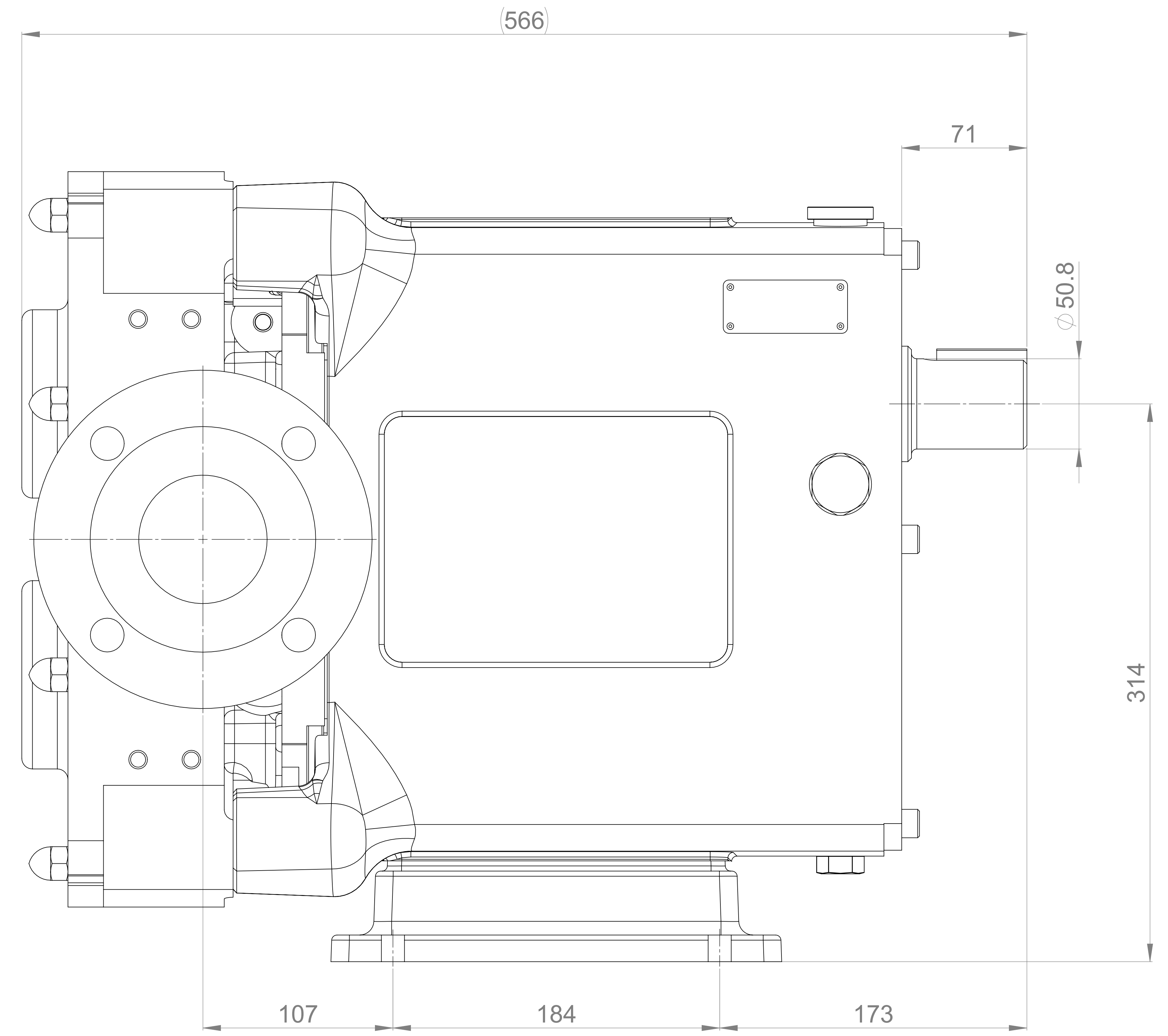
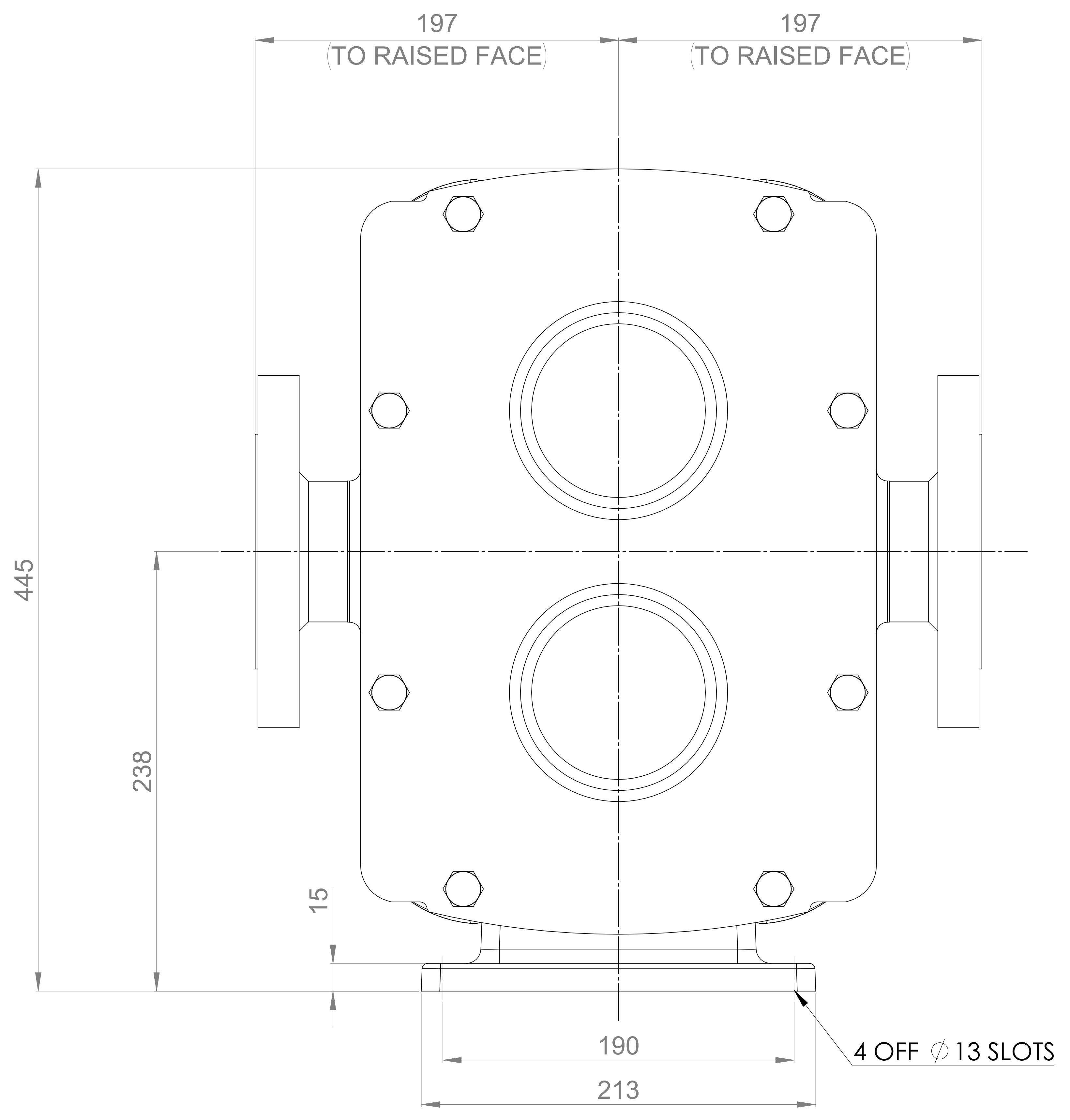
**GENERAL ARRANGEMENT DETAILS**

**PUMP INFORMATION**

PUMP MODEL	REVOLUTION - TWIN WING R1800X/31
LEFT/TOP CONNECTION	3" ASA/ANSI 150 lb RF
RIGHT/BOTTOM CONNECTION	3" ASA/ANSI 150 lb RF
DRIVE SHAFT POSITION	TOP SHAFT DRIVE
FRONT COVER ADDITIONS	STANDARD
ROTORCASE ADDITIONS	STANDARD
GEARBOX ADDITIONS	STANDARD
PUMP ADDITIONS	STANDARD



THIS IS NOT A CERTIFIED DRAWING, USE FOR GENERAL INSTALLATION ONLY



ISSUED	A	15/03/2021
AMENDMENT	ISSUE	DATE

**wright flow**  
TECHNOLOGIES  
HIGHFIELD INDUSTRIAL ESTATE,  
EASTBOURNE,  
EAST SUSSEX, BN23 6PT  
TEL: (+44) 1323 509211

**COPYRIGHT:**  
THIS DRAWING IS THE SOLE  
PROPERTY OF  
**WRIGHT FLOW TECHNOLOGIES LTD.**  
IT MUST NOT BE COPIED OR USED  
IN PART OR FULL WITHOUT PRIOR  
WRITTEN CONSENT.

UNLESS OTHERWISE STATED:  
ALL DIMENSIONS ± 2.50  
ANGLES ± 2.0°  
DO NOT SCALE THIS DRAWING  
REMOVE BURRS AND SHARP EDGES  
DIMENSIONS IN MILLIMETRES  
**IF IN DOUBT ASK**

PROJECTION	DRAWN	CHECKED
	MEW	KCB

TITLE:	GENERAL ARRANGEMENT
DRG. NO.	<b>GA4562</b>