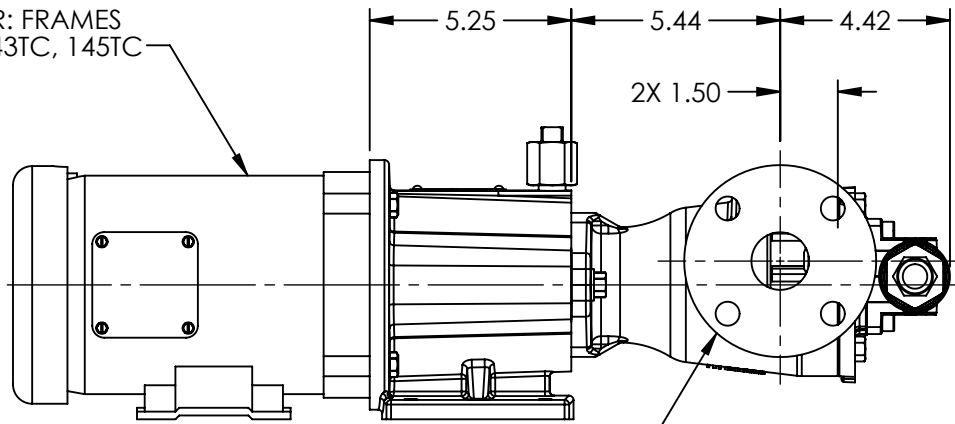
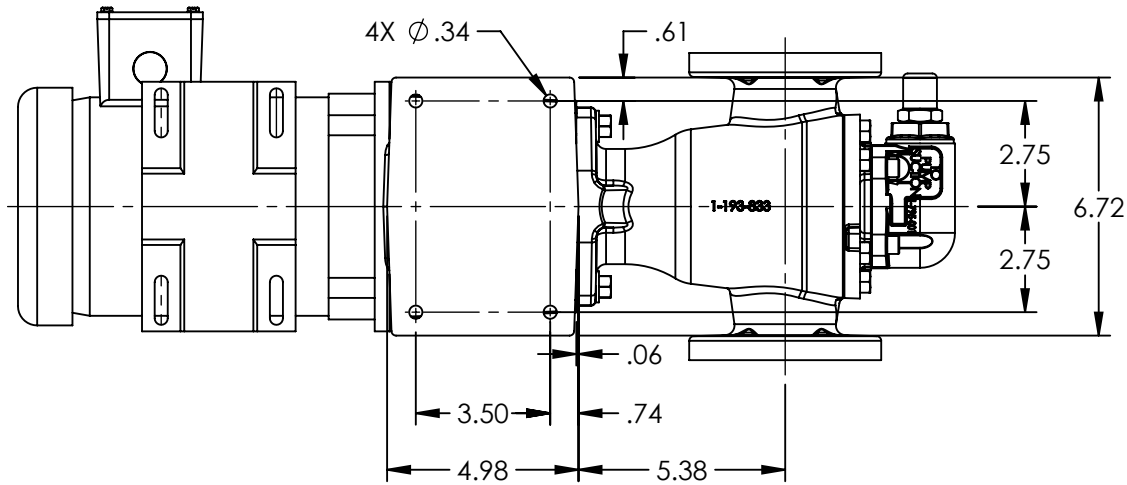
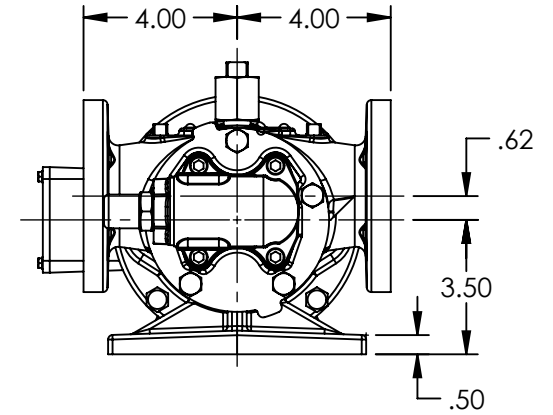


MOTOR: FRAMES  
56C, 143TC, 145TC



PORTS: 2X 1-1/2" FLANGES  
SUITABLE FOR USE WITH  
CLASS 150 ANSI FLANGES



STANDARD MODELS:  
HJ897-MDA4-M, HJ897-MDA9-M, HL897-MDA4-M, HL897-MDA9-M

NOTES:  
1. ALL DIMENSIONS ARE FOR REFERENCE ONLY.

STATE	Released	12/09/2019
DRAWN	KCheah	8/12/2019
CHECKED	MEW	12/09/2019

DIMENSIONS ARE IN INCHES	
PROJECT:	
WAS:	

**VIKING  
PUMP**

VIKING PUMP, INC.  
A Unit of IDEX Corporation  
Cedar Falls, IA 50613  
U.S.A.

THIS DRAWING IS THE PROPERTY OF  
VIKING PUMP, INC. AND IS PROPRIETARY  
IN GENERAL AND DETAIL. IT SHALL NOT BE  
COPIED OR ITS CONTENTS REVEALED TO  
OUTSIDE PARTIES WITHOUT THE WRITTEN  
CONSENT OF VIKING PUMP, INC.

**3D**

DWG. NO.  
**HV-4094**

SHEET 1 OF 1

REV. A.1

12/09/2019