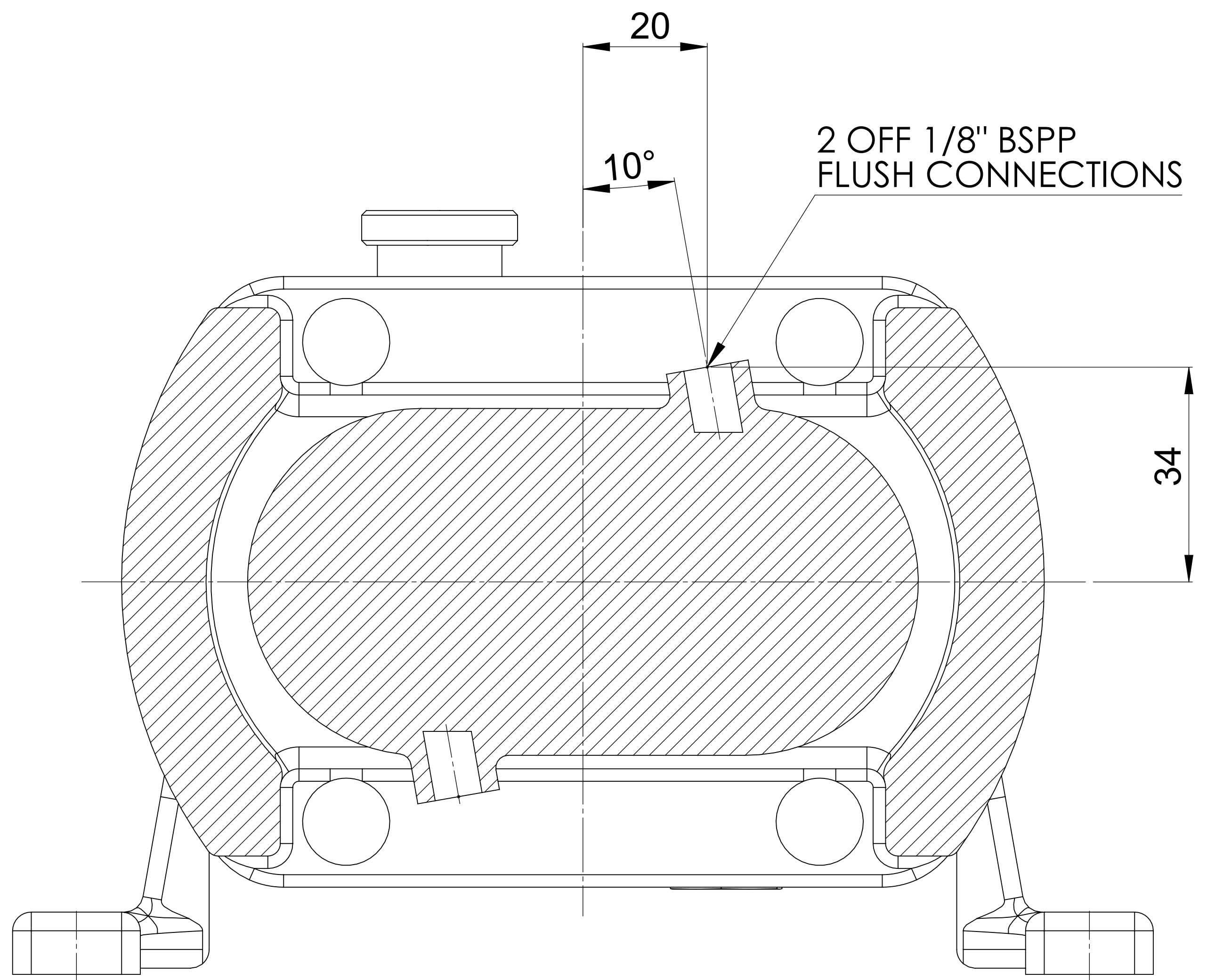


GENERAL ARRANGEMENT DETAILS

PUMP INFORMATION

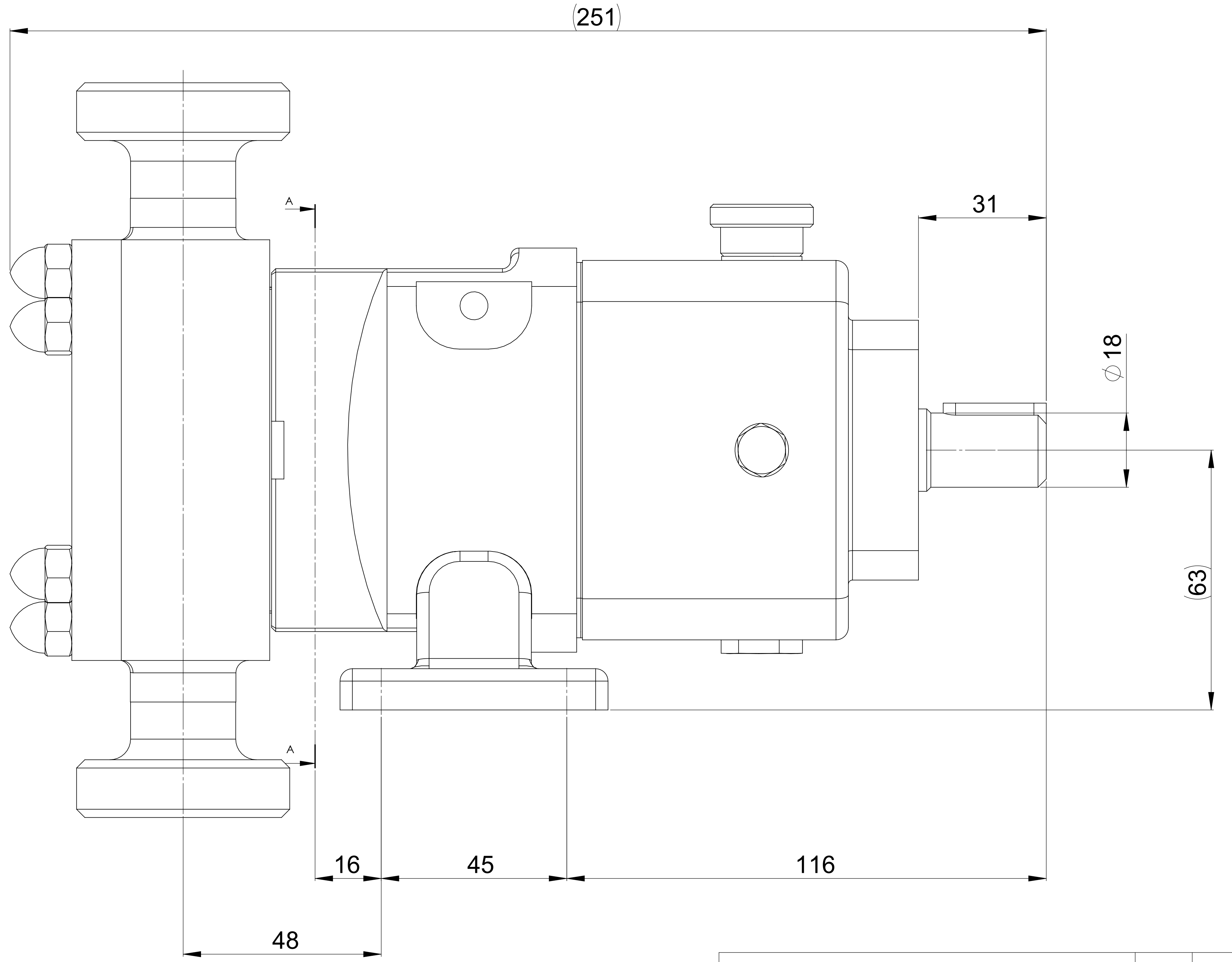
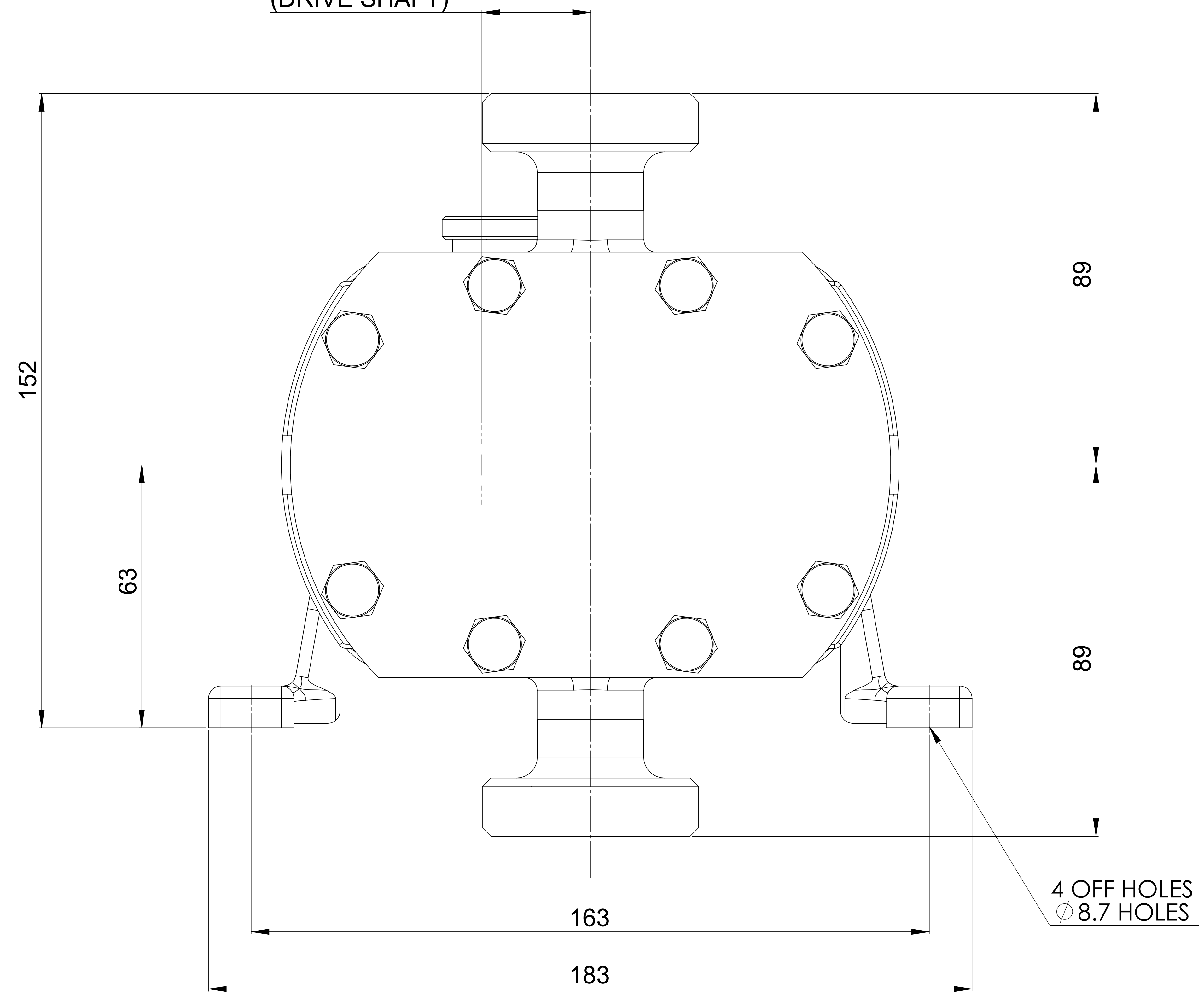
PUMP MODEL	CLASSIC+ CP10/0005/12
INLET CONNECTION	1" DIN 11851 Male
OUTLET CONNECTION	1" DIN 11851 Male
SPECIAL FEATURES	FLUSH CONNECTIONS SHOWN

THIS IS NOT A CERTIFIED DRAWING, USE FOR GENERAL INSTALLATION ONLY



SECTION A-A  
SCALE 1.75:1

26  
(DRIVE SHAFT)



ISSUE	A	10/10/2017
AMENDMENT	ISSUE	DATE

**wright flow**  
TECHNOLOGIES  
HIGHFIELD INDUSTRIAL ESTATE,  
EASTBOURNE,  
EAST SUSSEX, BN23 6PT  
TEL: (+44) 1323 509211

**COPYRIGHT:**  
THIS DRAWING IS THE SOLE  
PROPERTY OF  
**WRIGHT FLOW TECHNOLOGIES LTD.**  
IT MUST NOT BE COPIED OR USED  
IN PART OR FULL WITHOUT PRIOR  
WRITTEN CONSENT.

UNLESS OTHERWISE STATED:  
ALL DIMENSIONS ± 2.50  
ANGLES ± 2.0°  
DO NOT SCALE THIS DRAWING  
REMOVE BURRS AND SHARP EDGES  
DIMENSIONS IN MILLIMETRES  
**IF IN DOUBT ASK**

PROJECTION	DRAWN	CHECKED
	IPJB	AW

TITLE:	GENERAL ARRANGEMENT
DRG. NO:	<b>GA3774</b>