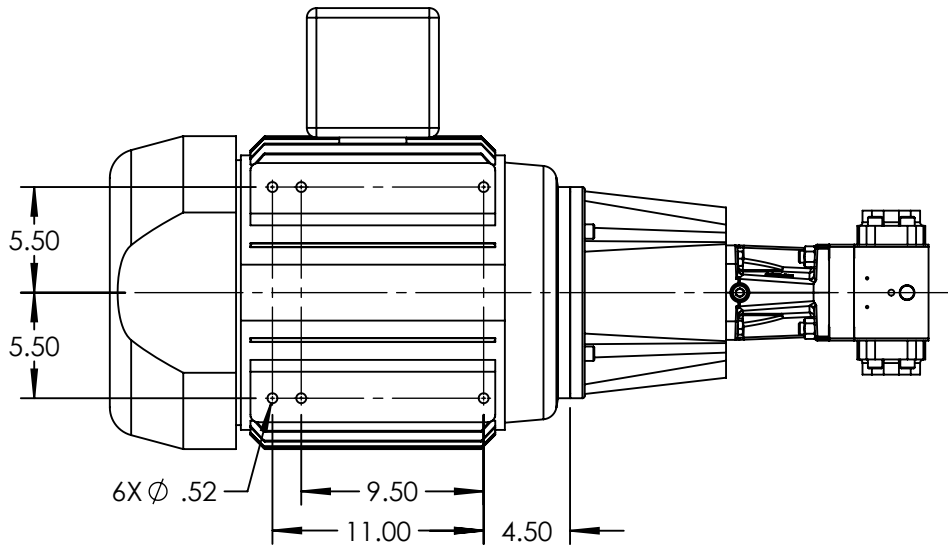
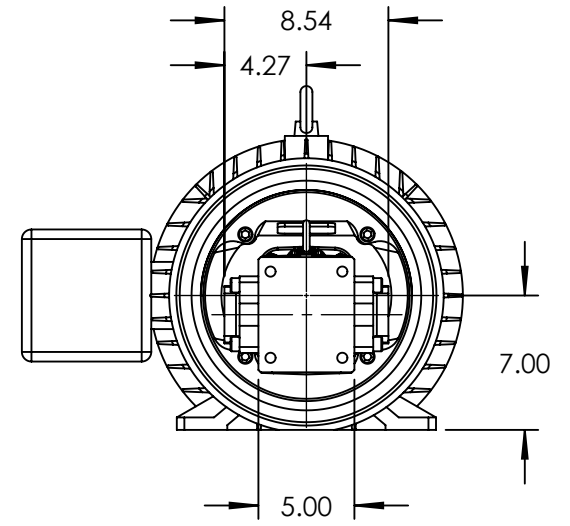
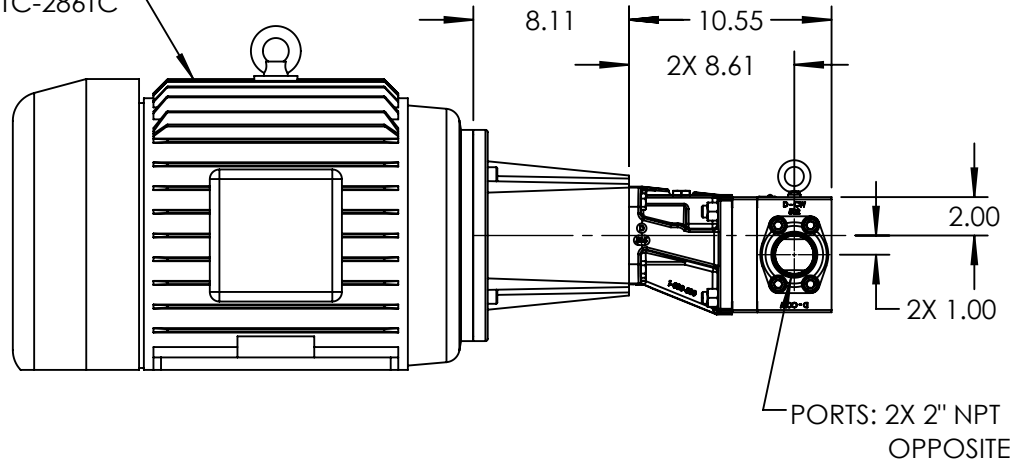


MOTOR FRAMES:  
284TC-286TC



NOTES:

1. ALL DIMENSIONS ARE FOR REFERENCE ONLY.

MODELS: GL-41013-GOA-M, GL-41013-G1A-M, GL-41013-G0B-M, GL-41013-G1B-M

STATE	Released	12/11/2018
DRAWN	AMeek	10/17/2018
CHECKED	JDP	12/11/2018

DIMENSIONS ARE IN INCHES
PROJECT: E299
WAS:



VIKING PUMP, INC.  
A Unit of IDEX Corporation  
Cedar Falls, IA 50613  
U.S.A.

THIS DRAWING IS THE PROPERTY OF  
VIKING PUMP, INC. AND IS PROPRIETARY  
IN GENERAL AND DETAIL. IT SHALL NOT BE  
COPIED OR ITS CONTENTS REVEALED TO  
OUTSIDE PARTIES WITHOUT THE WRITTEN  
CONSENT OF VIKING PUMP, INC.

3D

DWG. NO.	SHEET 1 OF 1
GPV-1013-029-U	

REV. A.0
12/11/2018