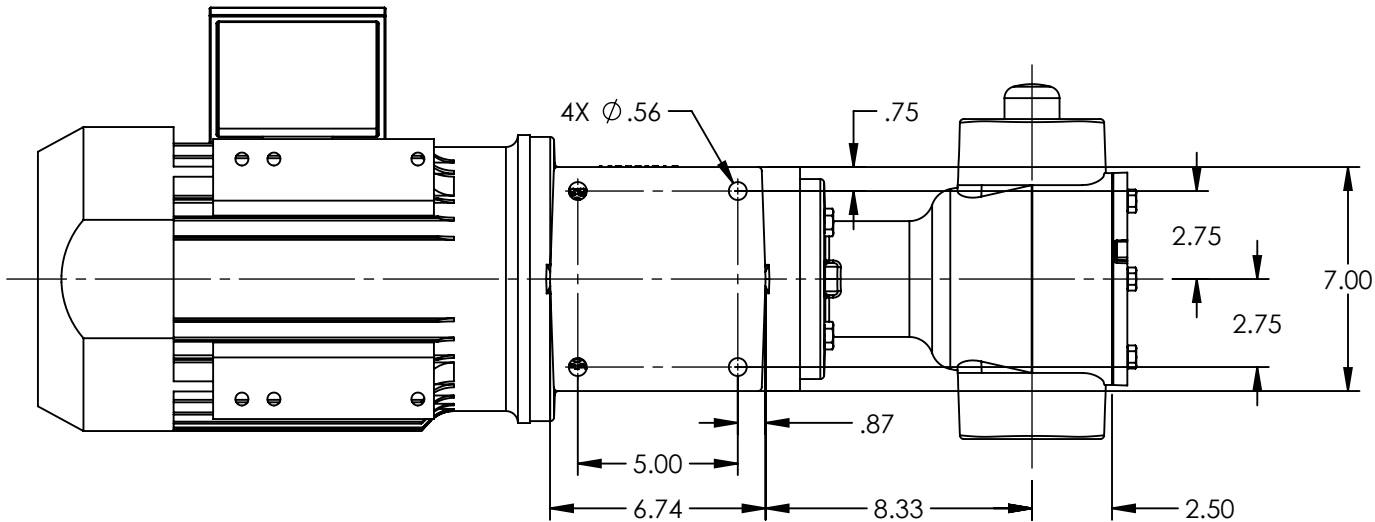
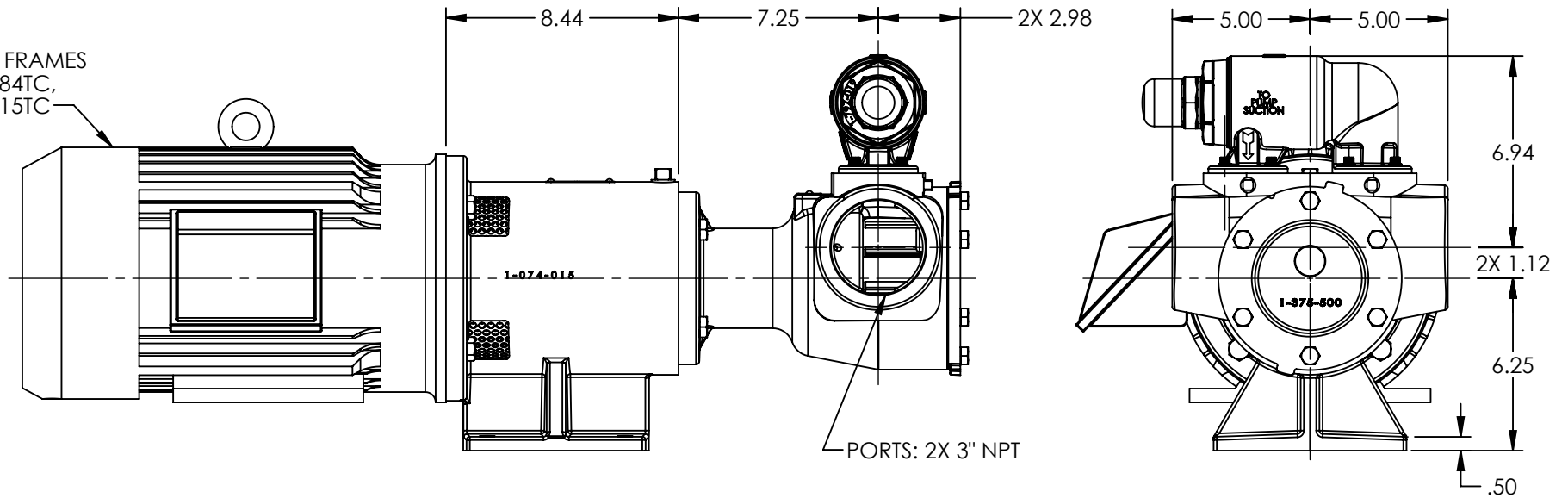


MOTOR: FRAMES  
182TC, 184TC,  
213TC, 215TC



STANDARD MODELS: AL895-MDB15-M, AL895-MDB40-M

NOTES:  
1. ALL DIMENSIONS ARE FOR REFERENCE ONLY.

|         |             |            |
|---------|-------------|------------|
| STATE   | Released    | 11/25/2019 |
| DRAWN   | ASstensland | 11/14/2019 |
| CHECKED | DTL         | 11/25/2019 |

DIMENSIONS ARE IN  
INCHES  
PROJECT:  
WAS:



VIKING PUMP, INC.  
A Unit of IDEX Corporation  
Cedar Falls, IA 50613  
U.S.A.

THIS DRAWING IS THE PROPERTY OF  
VIKING PUMP, INC. AND IS PROPRIETARY  
IN GENERAL AND DETAIL. IT SHALL NOT BE  
COPIED OR ITS CONTENTS REVEALED TO  
OUTSIDE PARTIES WITHOUT THE WRITTEN  
CONSENT OF VIKING PUMP, INC.

3D

DWG. NO.  
AV-592

SHEET 1 OF 1

REV. C.0

11/25/2019