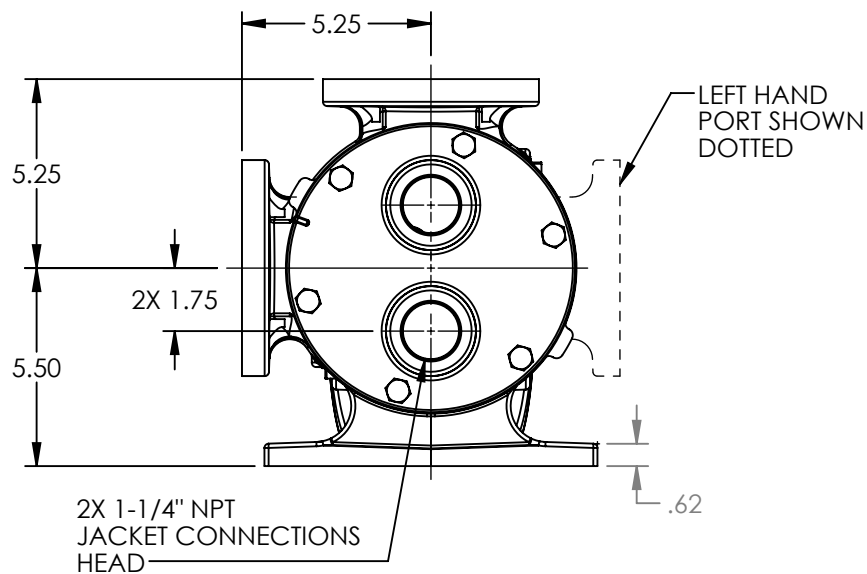
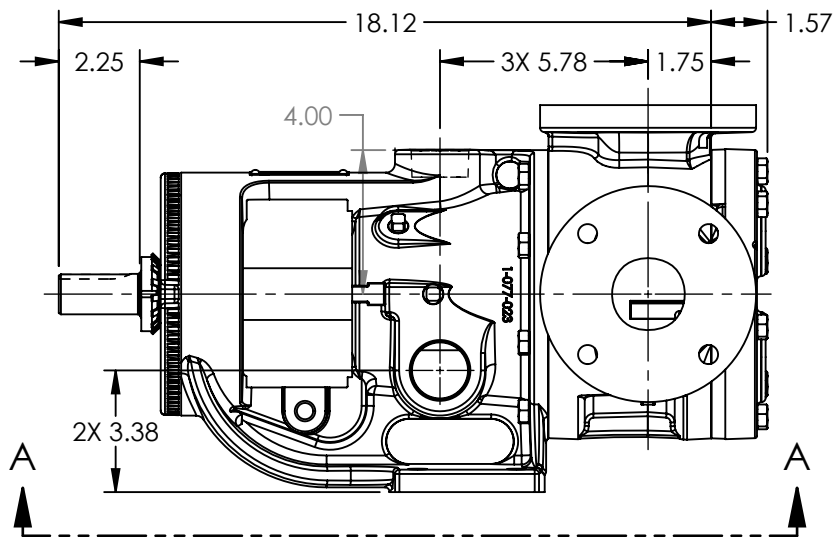


PORTS: 2X 2" FLANGES  
 DRILLED AND TAPPED  
 SUITABLE FOR USE WITH  
 CLASS 125 ANSI FLANGES  
 (224A, 1224A, 4224A, 4224B)  
 CLASS 150 ANSI FLANGES  
 (223A, 4223A, 226A, 4226A, 227A, 1227A, 4227A)



STANDARD MODELS:  
 K223A, K4223A, K227A, K1227A, K4227A, KK223A, KK4223A, KK227A, KK1227A, KK4227A  
 MODELS WITH OPTIONAL FLANGED PORTS:  
 K224A, K1224A, K4224A, K4224B, K226A, K4226A, KK224A, KK1224A, KK4224A, KK4224B, KK226A, KK4226A

NOTES:  
 1. ALL DIMENSIONS ARE FOR REFERENCE ONLY.

STATE	Released	11/08/2019
DRAWN	sjakel	05/23/2019
CHECKED	AA	11/08/2019

DIMENSIONS ARE IN  
 INCHES  
 PROJECT:  
 WAS:



VIKING PUMP, INC.  
 A Unit of IDEX Corporation  
 Cedar Falls, IA 50613  
 U.S.A.

THIS DRAWING IS THE PROPERTY OF  
 VIKING PUMP, INC. AND IS PROPRIETARY  
 IN GENERAL AND DETAIL. IT SHALL NOT BE  
 COPIED OR ITS CONTENTS REVEALED TO  
 OUTSIDE PARTIES WITHOUT THE WRITTEN  
 CONSENT OF VIKING PUMP, INC.

3D

DWG. NO.  
 KV-2018

SHEET 1 OF 1

REV. D.1

11/08/2019