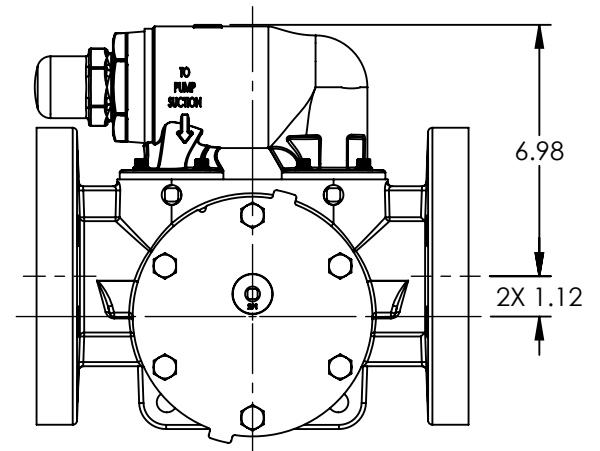


PORTS: 2X 3" FLANGES
SUITABLE FOR USE WITH
CLASS 300 ANSI FLANGES



MODELS WITH OPTIONAL FLANGED PORTS: AS493, AK493

NOTES:
1. ALL DIMENSIONS ARE FOR REFERENCE ONLY.

| | | |
|---------|----------|------------|
| STATE | Released | 03/13/2019 |
| DRAWN | sjakel | 03/13/2019 |
| CHECKED | BAM | 03/13/2019 |

| | |
|--------------------------|--|
| DIMENSIONS ARE IN INCHES | |
| PROJECT: | |
| WAS: | |



VIKING PUMP, INC.
A Unit of IDEX Corporation
Cedar Falls, IA 50613
U.S.A.

THIS DRAWING IS THE PROPERTY OF VIKING PUMP, INC. AND IS PROPRIETARY IN GENERAL AND DETAIL. IT SHALL NOT BE COPIED OR ITS CONTENTS REVEALED TO OUTSIDE PARTIES WITHOUT THE WRITTEN CONSENT OF VIKING PUMP, INC.

3D

DWG. NO.
AV-816

SHEET 1 OF 1

REV. D.0

03/13/2019