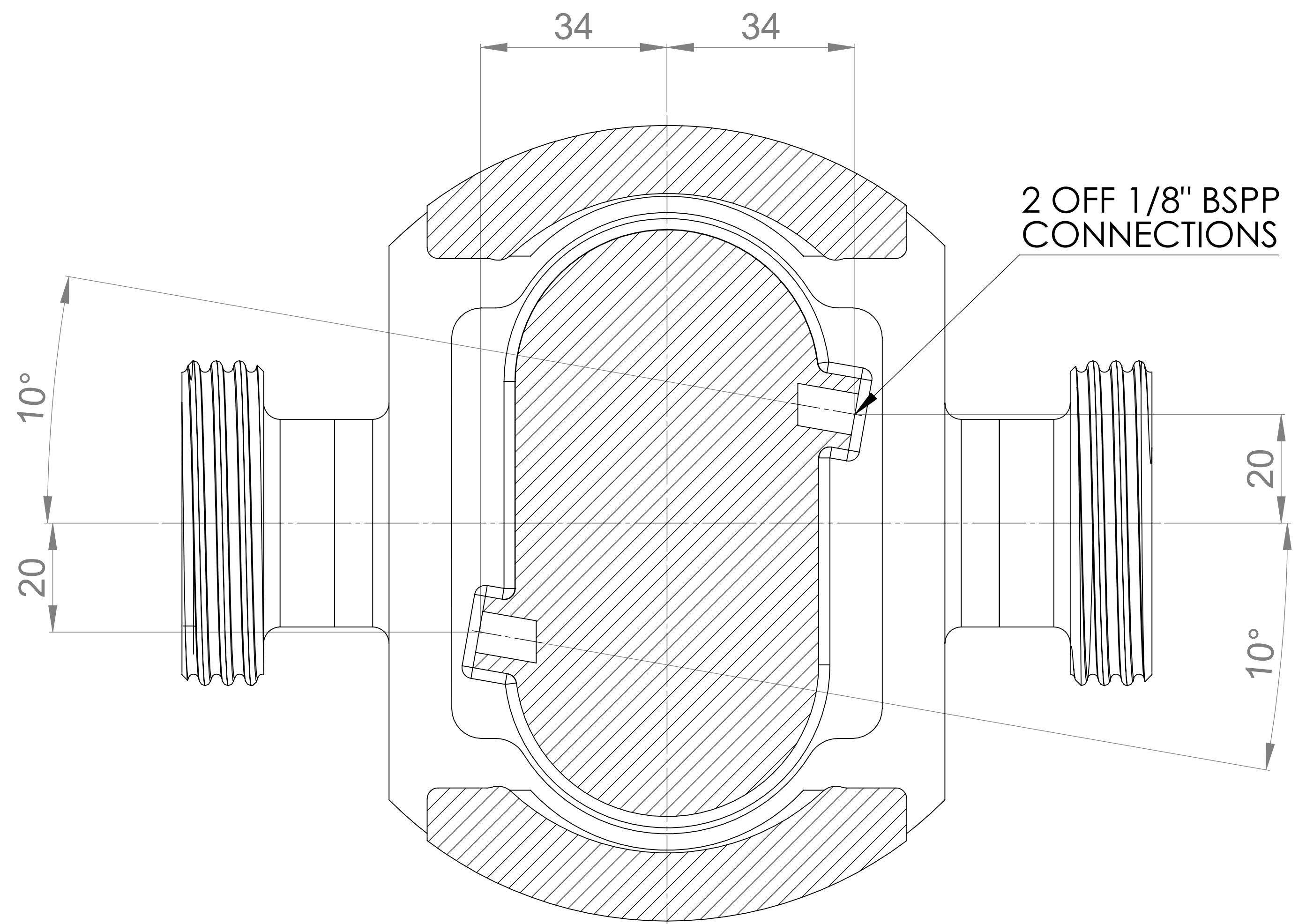
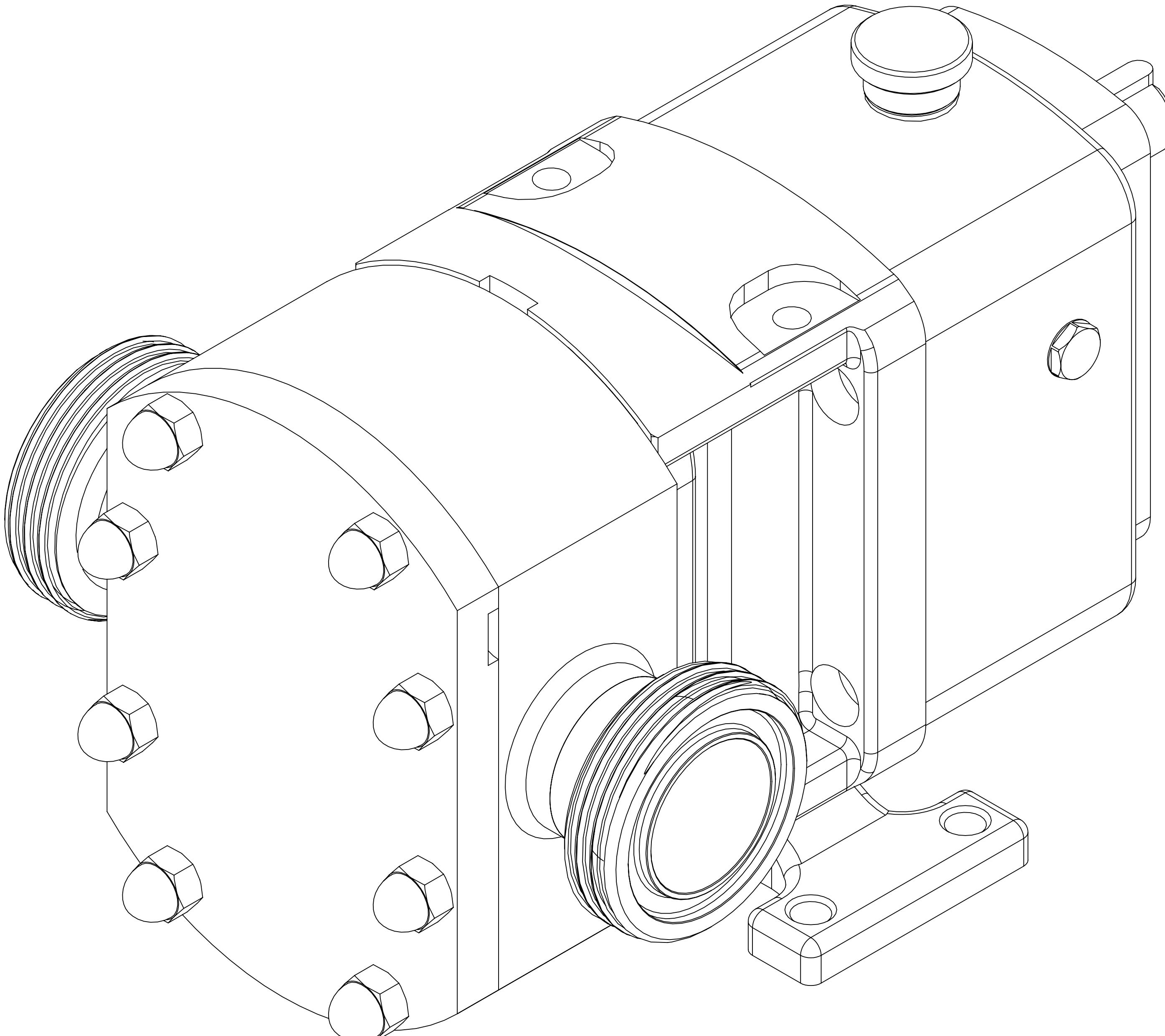
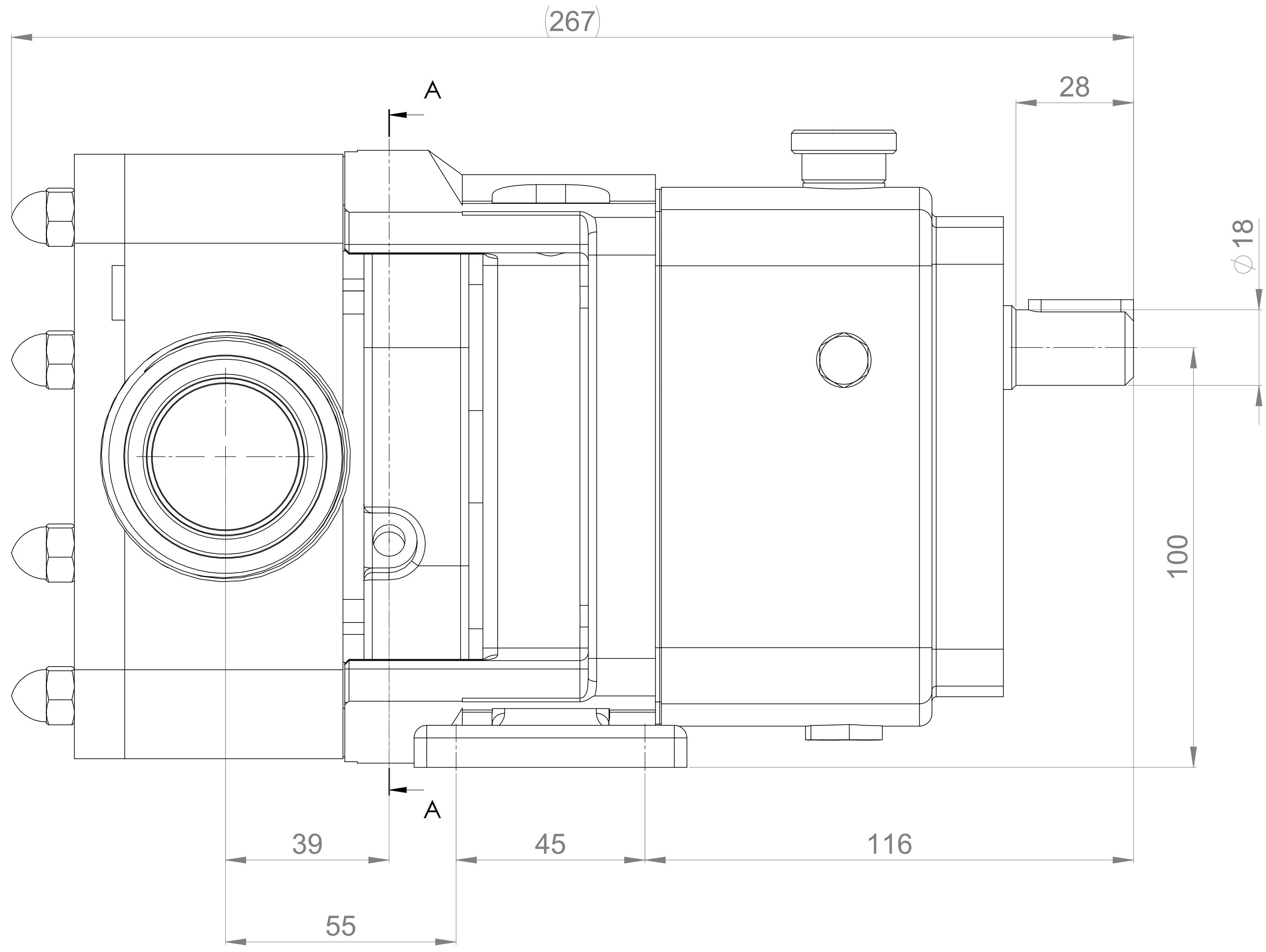
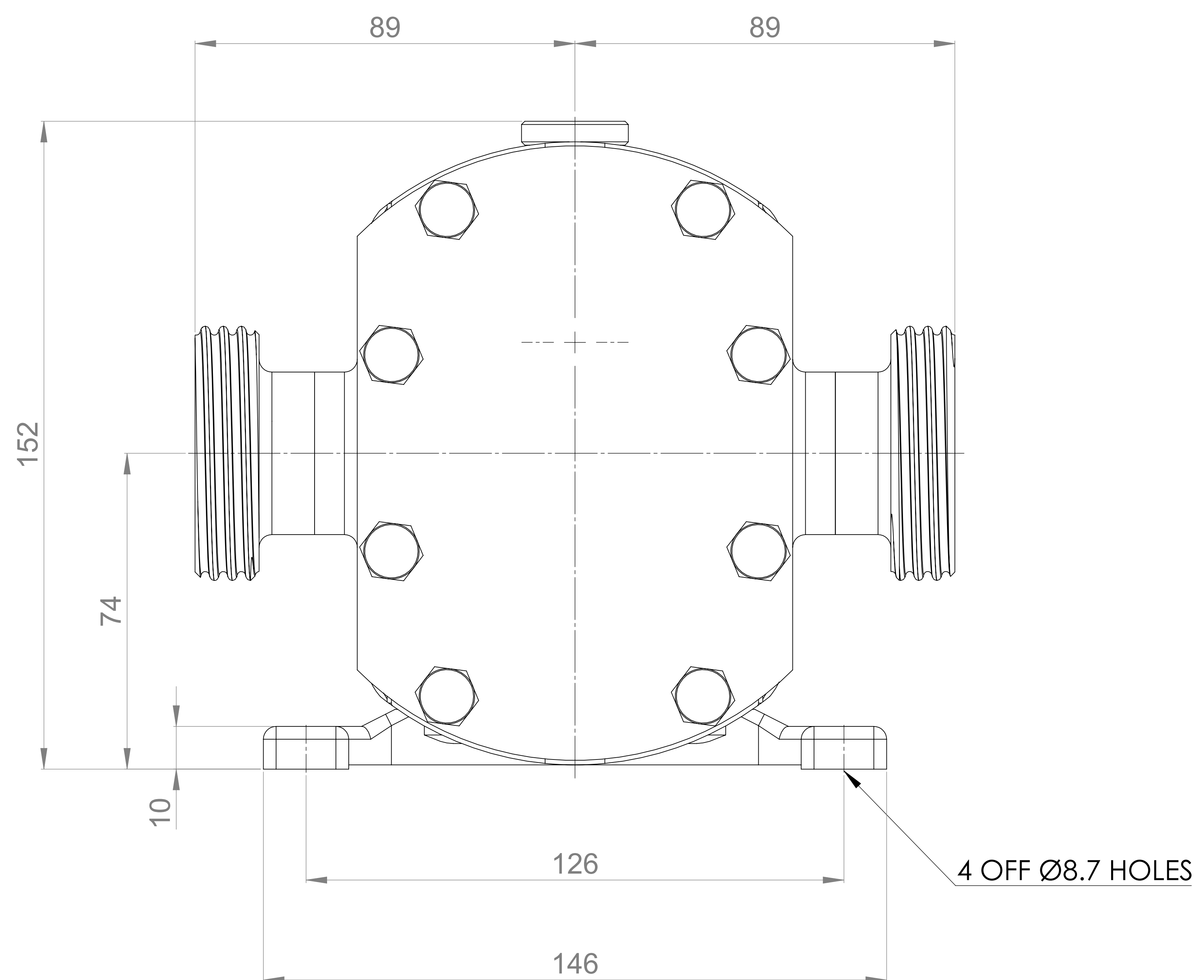


GENERAL ARRANGEMENT DETAILS	
PUMP INFORMATION	
PUMP MODEL	MULTIPUMP MP10/0008/08
INLET CONNECTION	1.5" SMS MALE
OUTLET CONNECTION	1.5" SMS MALE
SPECIAL FEATURES	FLUSHING

THIS IS NOT A CERTIFIED DRAWING, USE FOR GENERAL INSTALLATION ONLY



SECTION A-A



ISSUED	A	02/04/2020
AMENDMENT	ISSUE	DATE

**wright flow**  
TECHNOLOGIES  
HIGHFIELD INDUSTRIAL ESTATE,  
EAST SUSSEX, BN23 6PT  
TEL: (+44) 1323 509211

**COPYRIGHT:**  
THIS DRAWING IS THE SOLE  
PROPERTY OF  
**WRIGHT FLOW TECHNOLOGIES LTD.**  
IT MUST NOT BE COPIED OR USED  
IN PART OR FULL WITHOUT PRIOR  
WRITTEN CONSENT.

UNLESS OTHERWISE STATED:  
ALL DIMENSIONS ± 2.50  
ANGLES ± 2.0°  
DO NOT SCALE THIS DRAWING  
REMOVE BURRS AND SHARP EDGES  
DIMENSIONS IN MILLIMETRES  
**IF IN DOUBT ASK**

PROJECTION	DRAWN	CHECKED
	DSB	IPJB

TITLE:	GENERAL ARRANGEMENT
DRG. NO:	<b>GA4377</b>