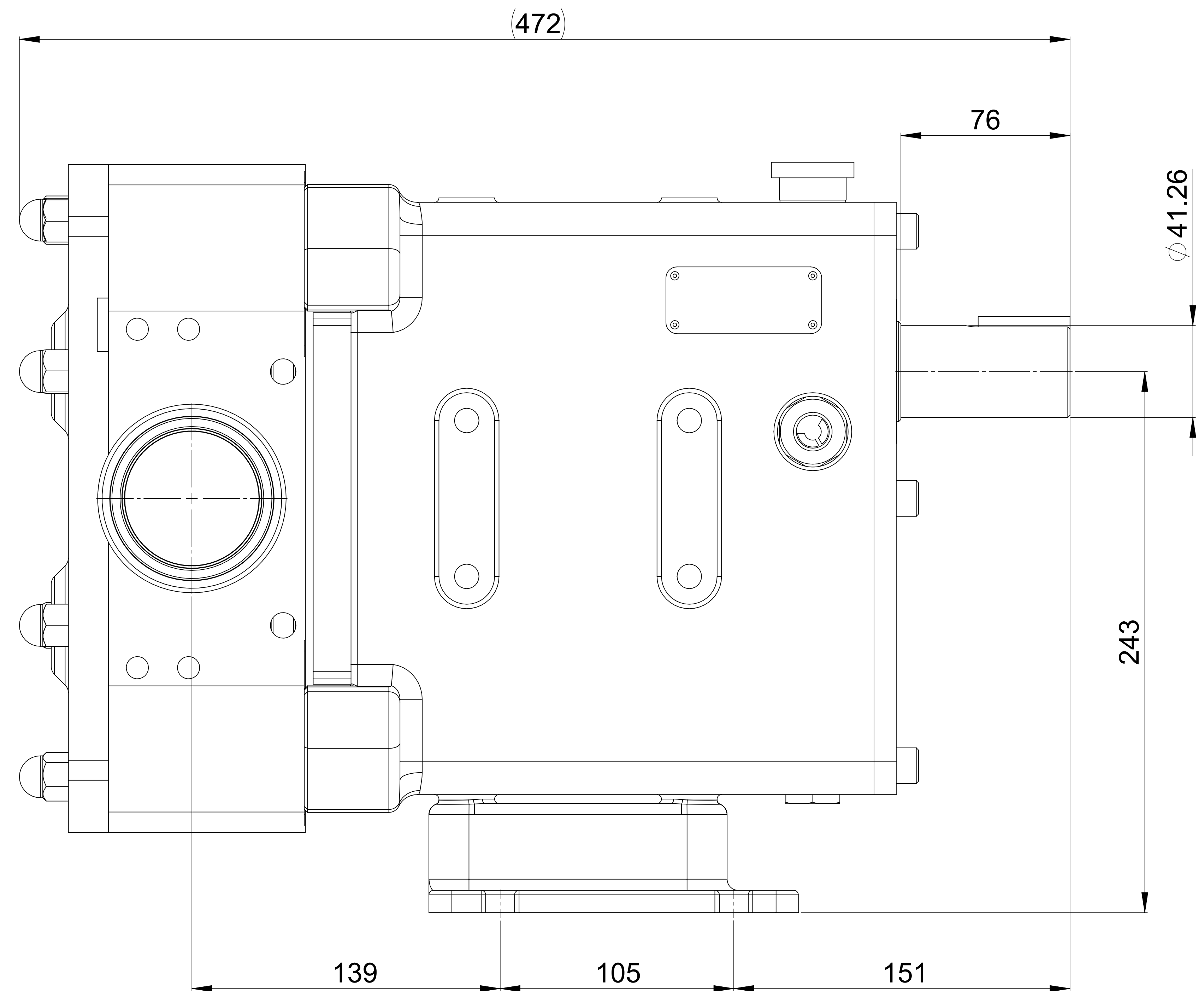
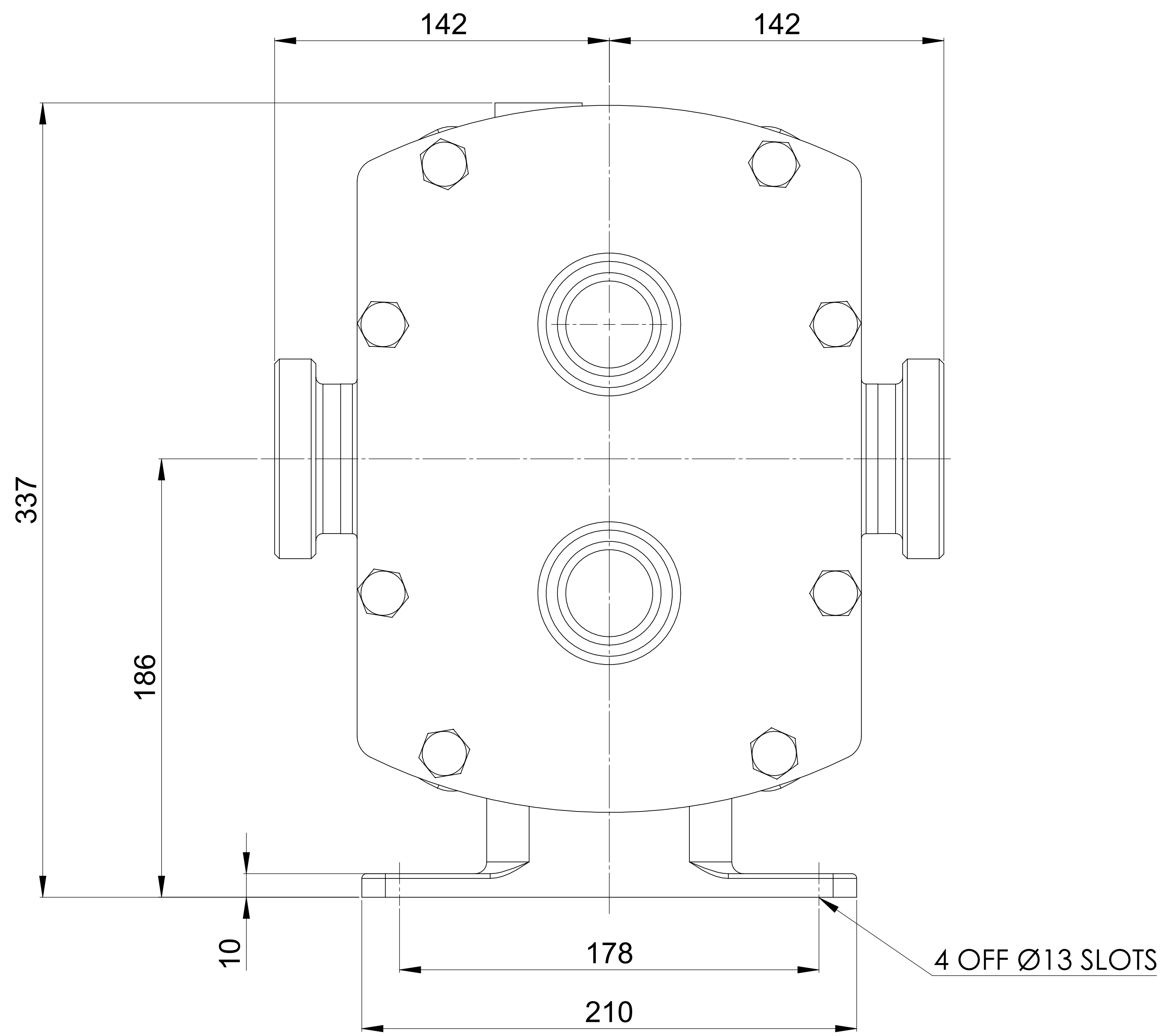
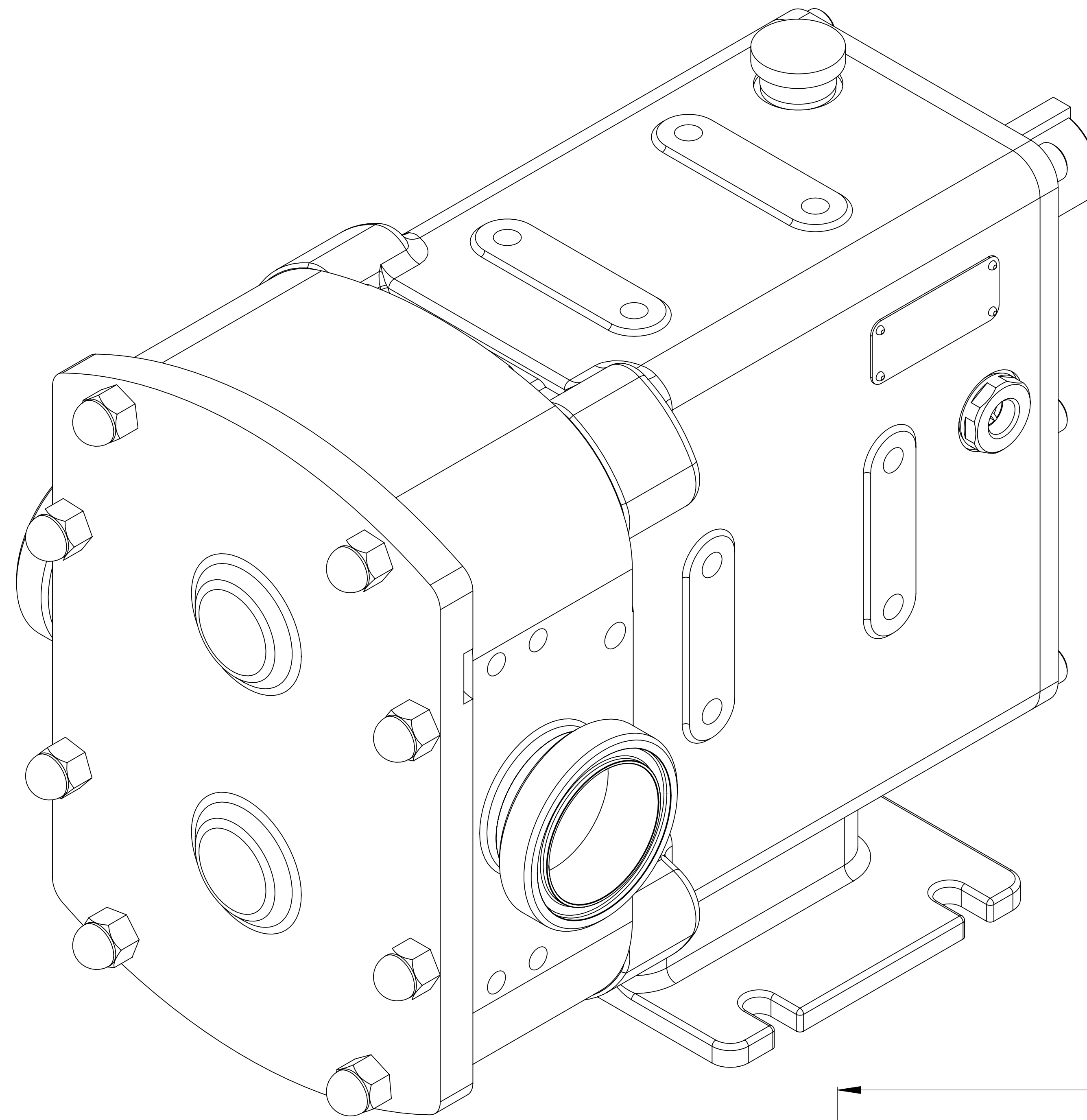


**GENERAL ARRANGEMENT DETAILS**

**PUMP INFORMATION**

PUMP MODEL	REVOLUTION - TWIN WING R0800X/17
INLET CONNECTION	2.5" SMS Male
OUTLET CONNECTION	2.5" SMS Male
SPECIAL FEATURES	NONE

THIS IS NOT A CERTIFIED DRAWING, USE FOR GENERAL INSTALLATION ONLY



ISSUED	A	23/07/2019
AMENDMENT	ISSUE	DATE

**wright flow**  
**TECHNOLOGIES**  
 HIGHFIELD INDUSTRIAL ESTATE,  
 EASTBOURNE,  
 EAST SUSSEX, BN23 6PT  
 TEL: (+44) 1323 509211

**COPYRIGHT:**  
 THIS DRAWING IS THE SOLE  
 PROPERTY OF  
**WRIGHT FLOW TECHNOLOGIES LTD.**  
 IT MUST NOT BE COPIED OR USED  
 IN PART OR FULL WITHOUT PRIOR  
 WRITTEN CONSENT.

UNLESS OTHERWISE STATED:  
 ALL DIMENSIONS ± 2.50  
 ANGLES ± 2.0°  
 DO NOT SCALE THIS DRAWING  
 REMOVE BURRS AND SHARP EDGES  
 DIMENSIONS IN MILLIMETRES  
**IF IN DOUBT ASK**

PROJECTION	DRAWN	CHECKED
	DSB	IPJB

TITLE:	GENERAL ARRANGEMENT
DRG. NO:	<b>GA4214</b>