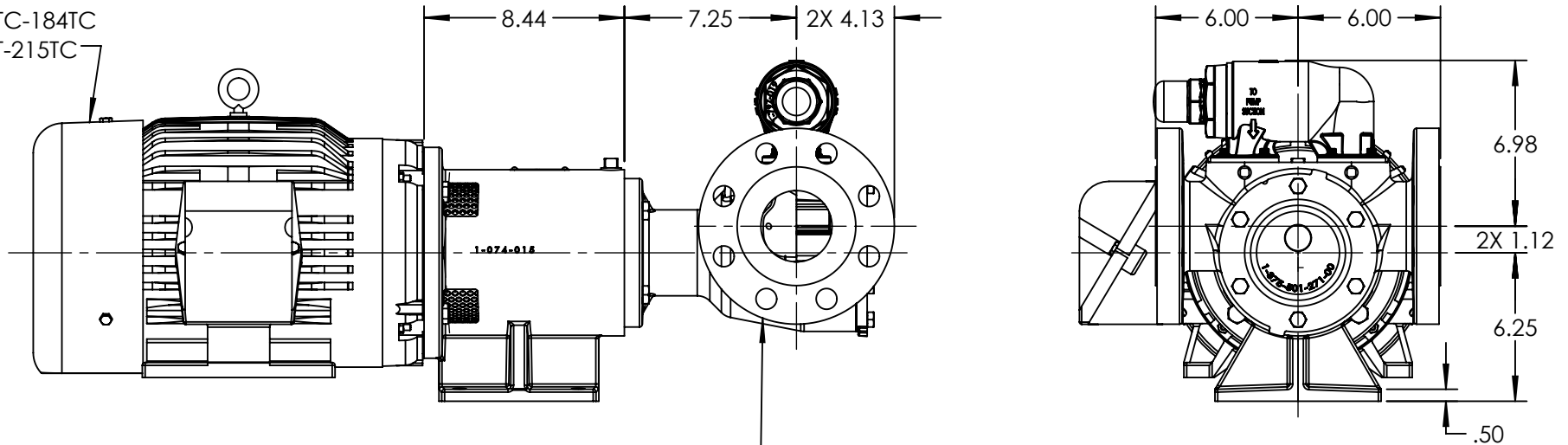
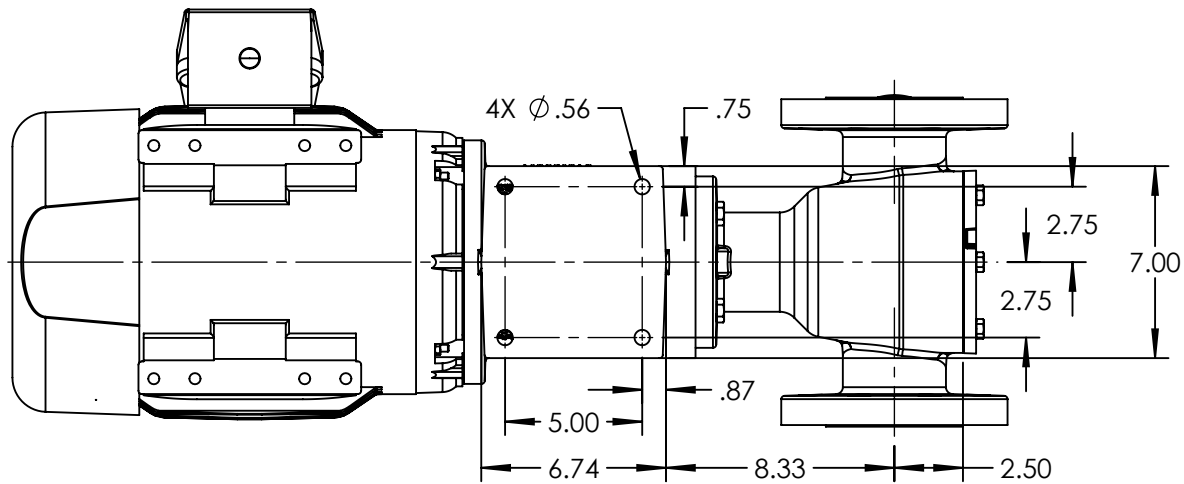


MOTOR: FRAMES  
182TC-184TC  
213T-215TC



PORTS: 2X 3" RAISED FACE FLANGES  
SUITABLE FOR USE WITH  
CLASS 300 ANSI FLANGES



NOTES:

1. ALL DIMENSIONS ARE FOR REFERENCE ONLY.

STANDARD MODELS: AL893-MDB15-M, AL893-MDB40-M

STATE	Released	01/16/2018
DRAWN	AJohnson	1/9/2018
CHECKED	NWB	01/16/2018

DIMENSIONS ARE IN  
INCHES  
PROJECT:  
WAS:



VIKING PUMP, INC.  
A Unit of IDEX Corporation  
Cedar Falls, IA 50613  
U.S.A.

THIS DRAWING IS THE PROPERTY OF  
VIKING PUMP, INC. AND IS PROPRIETARY  
IN GENERAL AND DETAIL. IT SHALL NOT BE  
COPIED OR ITS CONTENTS REVEALED TO  
OUTSIDE PARTIES WITHOUT THE WRITTEN  
CONSENT OF VIKING PUMP, INC.

3D

DWG. NO.  
AV-1063

SHEET 1 OF 1

REV. A.0

01/16/2018