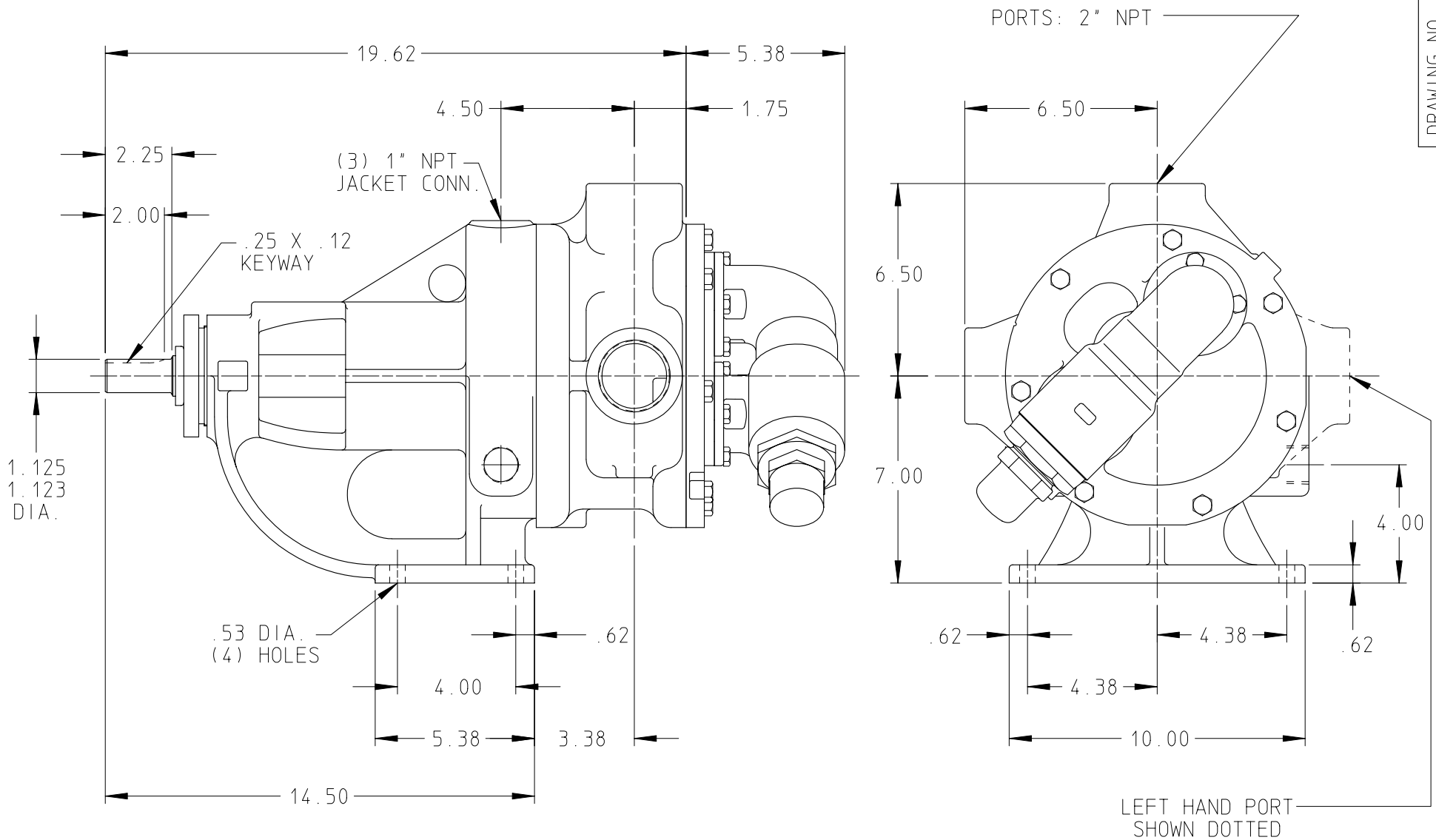


DRAWING NO.
LV-3920



MODELS: L724, L4724

DRAWN WUNDERLICH DATE 21 JUL 2003
 CHECKED DRS DATE 29 JUL 2003

THIS DRAWING IS THE PROPERTY OF VIKING PUMP INC. AND IS PROPRIETARY IN GENERAL AND DETAIL. IT SHALL NOT BE COPIED OR ITS CONTENTS REVEALED TO OUTSIDE PARTIES WITHOUT THE WRITTEN CONSENT OF VIKING PUMP INC.



VIKING PUMP, INC.
 A Unit of IDEX Corporation
 Cedar Falls, Iowa 50613
 U.S.A.

DRAWING NO.
LV-3920

REV. B
 18 SEP 2003