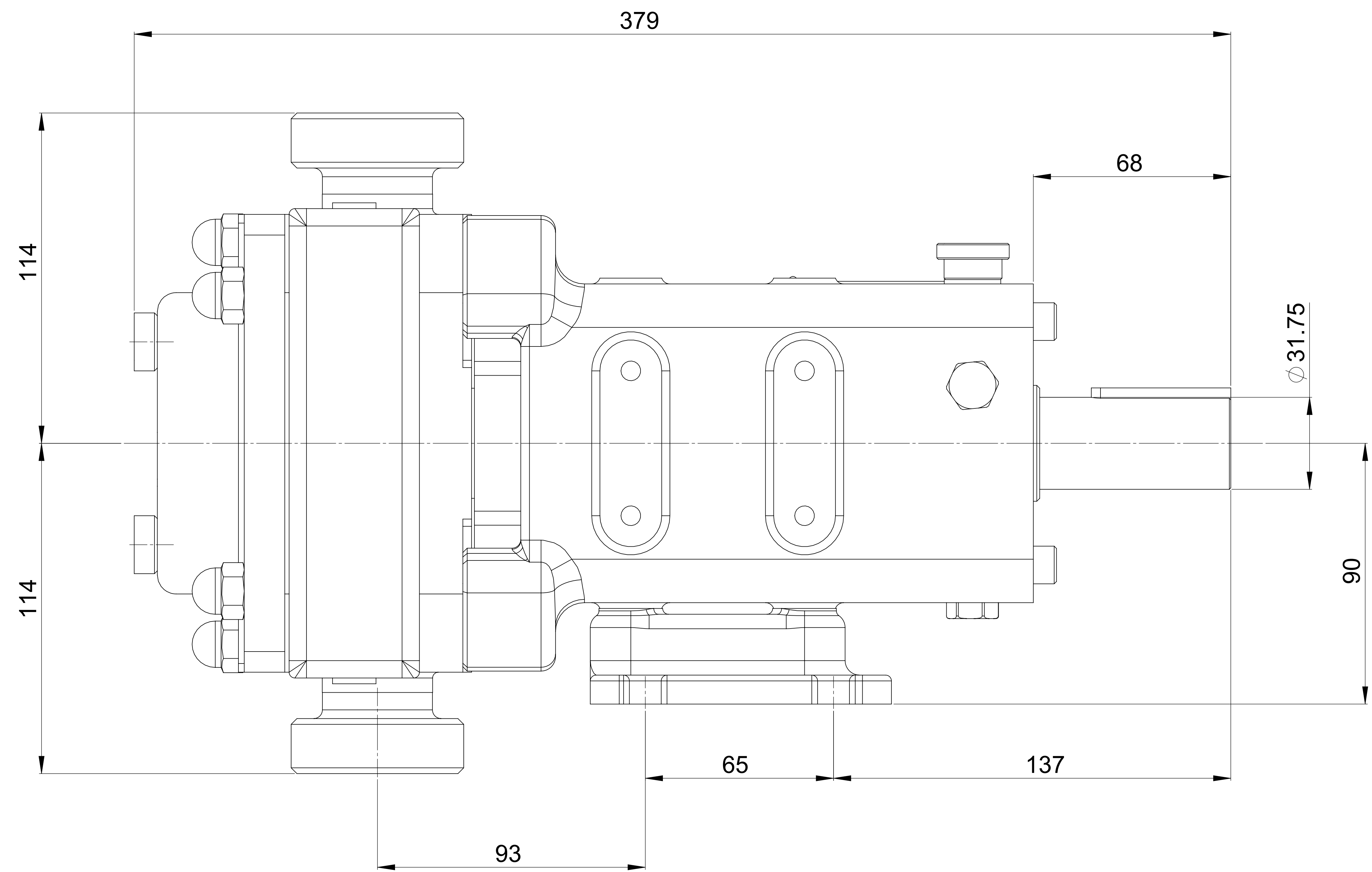
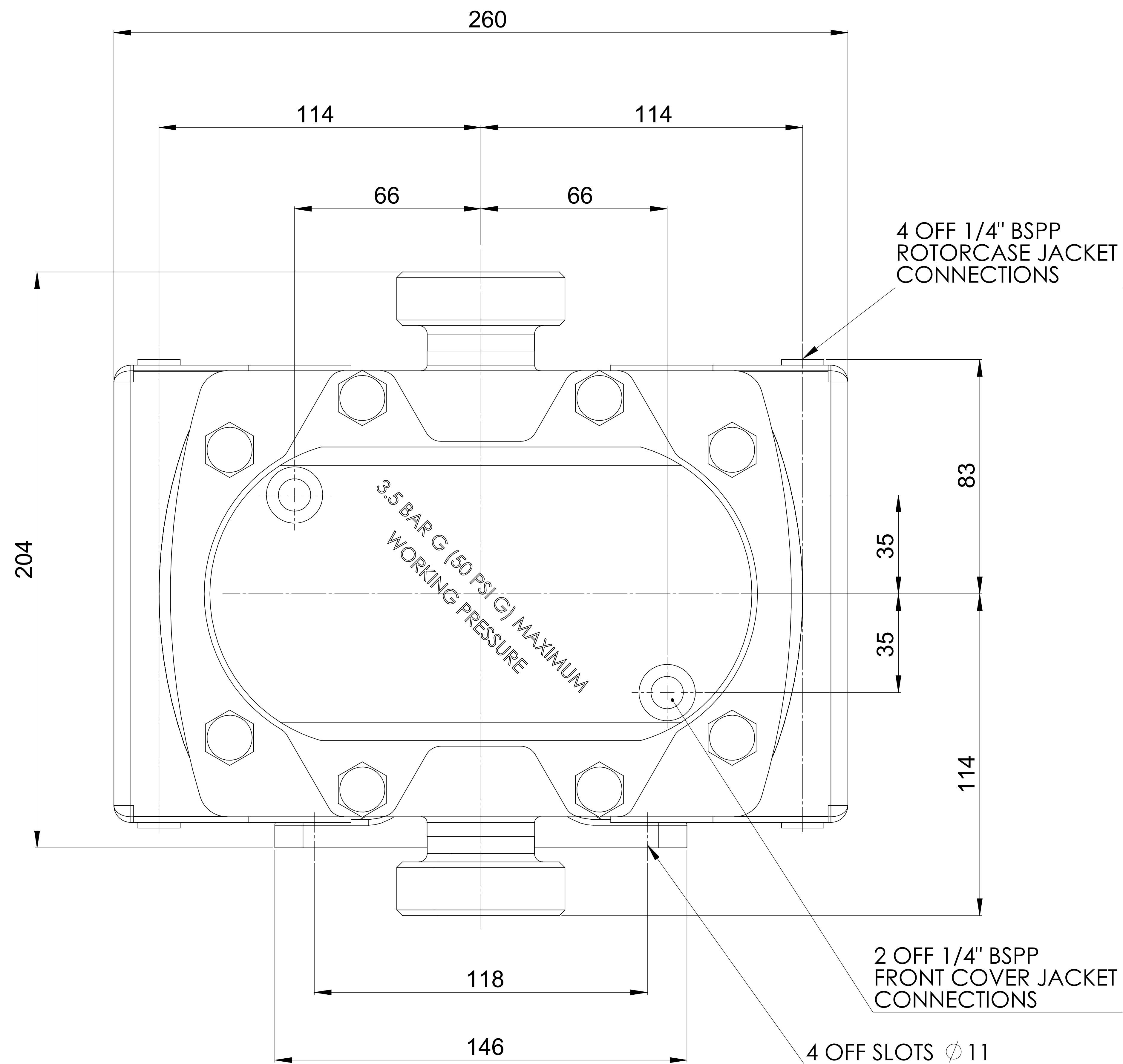
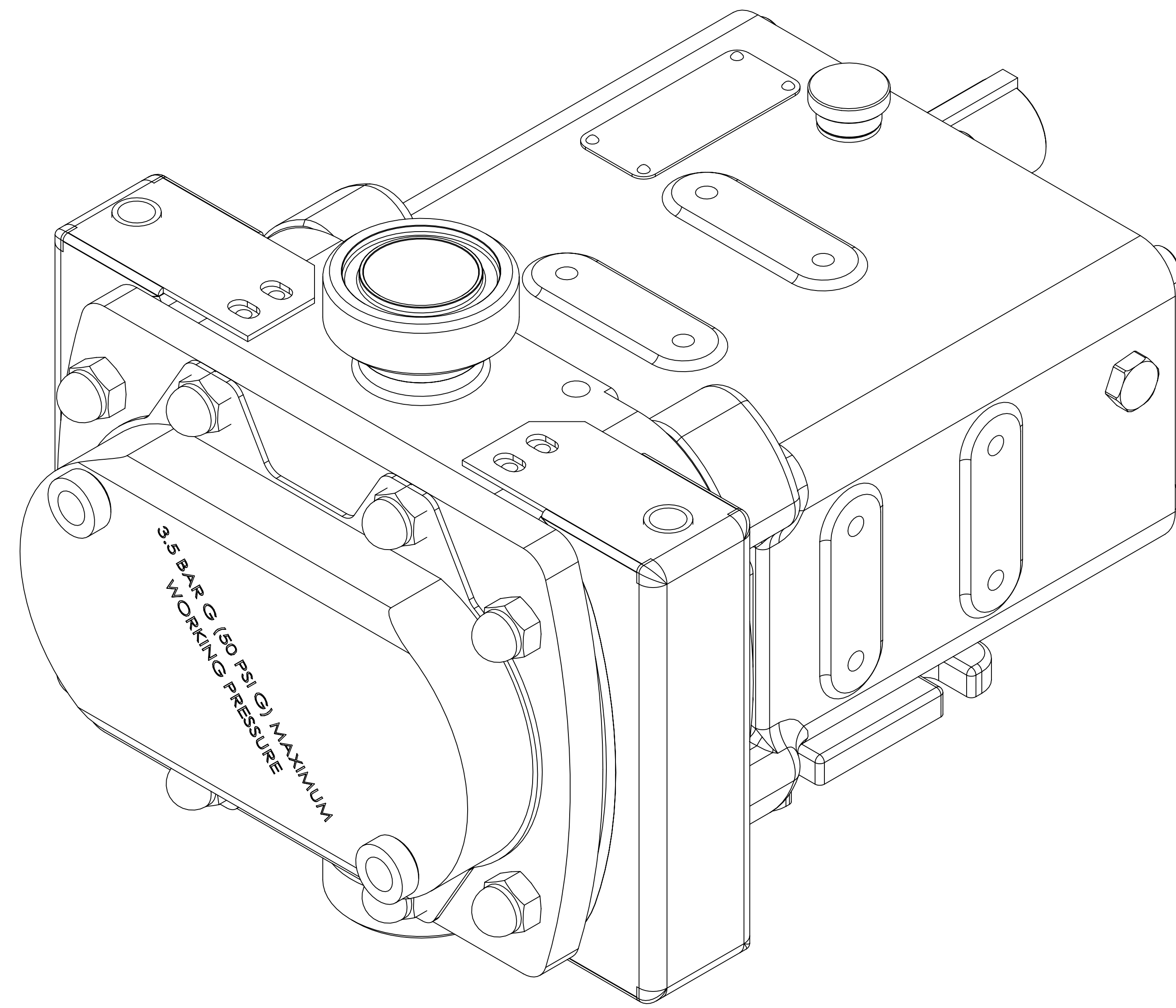


GENERAL ARRANGEMENT DETAILS

PUMP INFORMATION

PUMP MODEL	REVOLUTION - TWIN WING R0300X/17
INLET CONNECTION	1.5" SMS Male
OUTLET CONNECTION	1.5" SMS Male
SPECIAL FEATURES	FRONT COVER JACKET ROTORCASE JACKET

THIS IS NOT A CERTIFIED DRAWING, USE FOR GENERAL INSTALLATION ONLY



ISSUE	A	04/10/2017
AMENDMENT	ISSUE	DATE

wright flow
TECHNOLOGIES
HIGHFIELD INDUSTRIAL ESTATE,
EASTBOURNE,
EAST SUSSEX, BN23 6PT
TEL: (+44) 1323 509211

COPYRIGHT:
THIS DRAWING IS THE SOLE
PROPERTY OF
WRIGHT FLOW TECHNOLOGIES LTD.
IT MUST NOT BE COPIED OR USED
IN PART OR FULL WITHOUT PRIOR
WRITTEN CONSENT.

UNLESS OTHERWISE STATED:
ALL DIMENSIONS \pm 2.50
ANGLES \pm 2.0°
DO NOT SCALE THIS DRAWING
REMOVE BURRS AND SHARP EDGES
DIMENSIONS IN MILLIMETRES
IF IN DOUBT ASK

PROJECTION	DRAWN	CHECKED
	IPJB	KCB

TITLE:	GENERAL ARRANGEMENT
DRG. NO:	GA3770