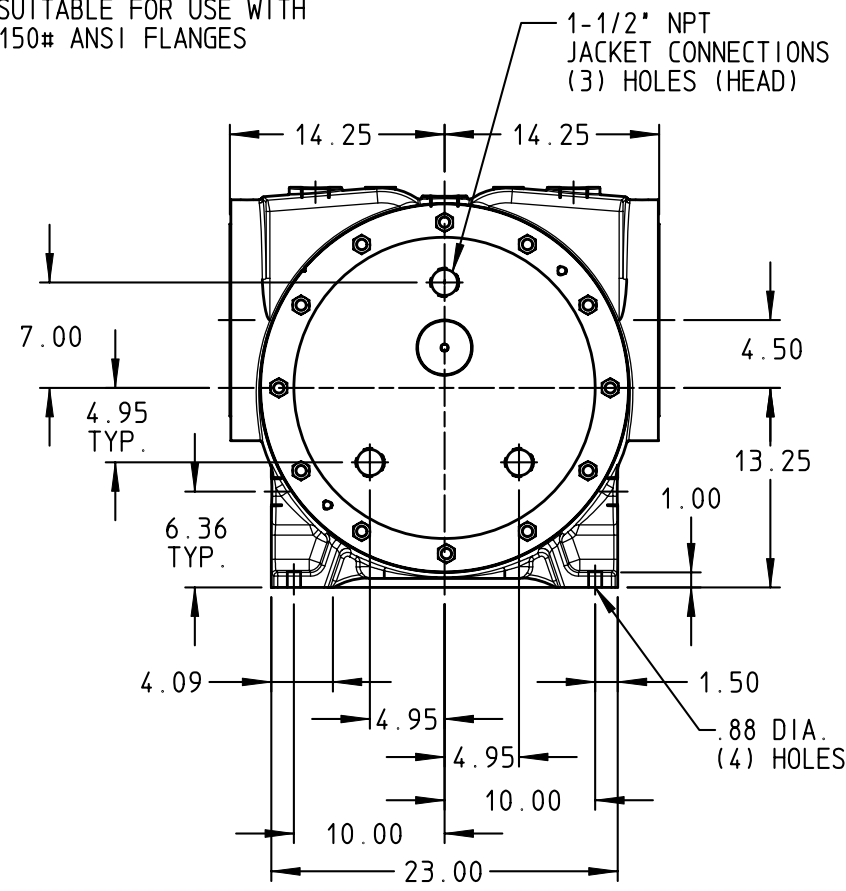
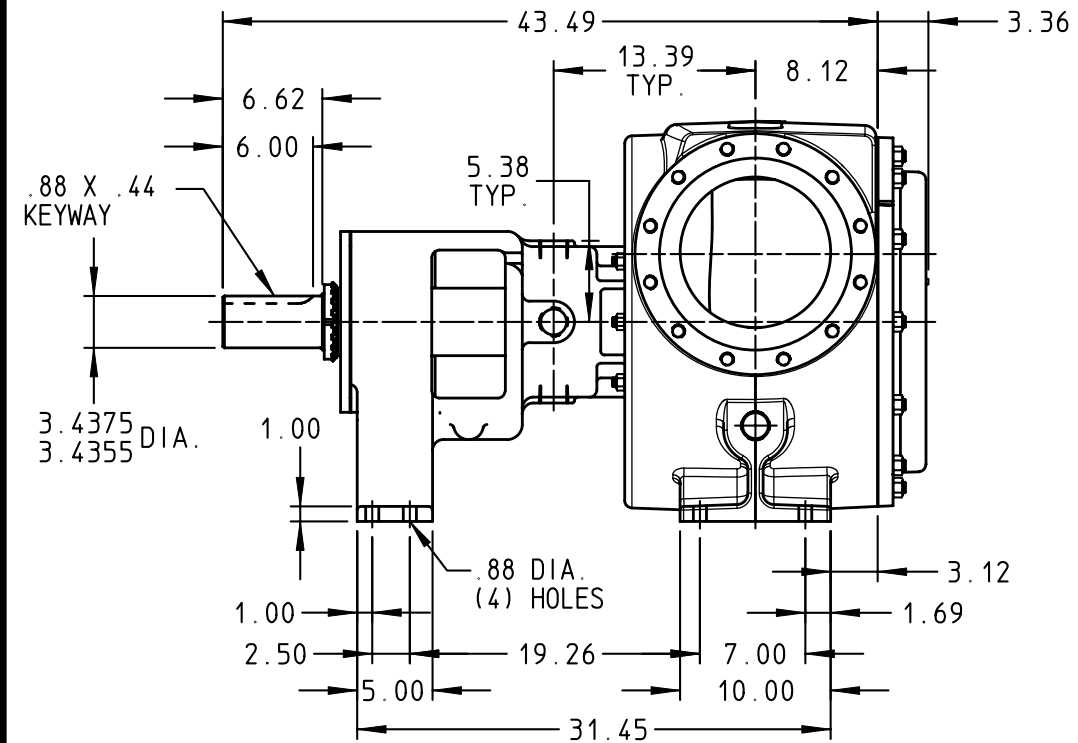
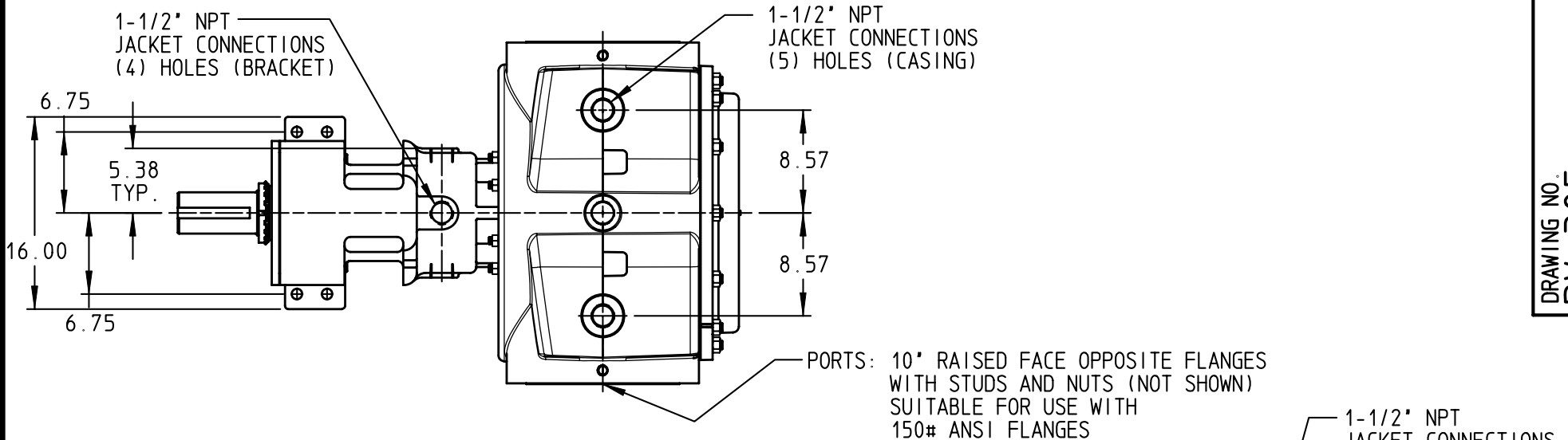


DRAWING NO.  
RV-385



STANDARD MODELS: RS323A, RS4323A, RS327A, RS4327A

DRAWN INKS DATE 26 FEB 2008  
 CHECKED SJJ DATE 03 MAR 2008

THIS DRAWING IS THE PROPERTY OF VIKING PUMP INC. AND IS PROPRIETARY IN GENERAL AND DETAIL. IT SHALL NOT BE COPIED OR ITS CONTENTS REVEALED TO OUTSIDE PARTIES WITHOUT THE WRITTEN CONSENT OF VIKING PUMP INC.

**VIKING PUMP** VIKING PUMP, INC.  
 A Unit of IDEX Corporation  
 Cedar Falls, Iowa 50613  
 U.S.A.

DRAWING NO.  
RV-385

REV. A  
 26 FEB 2008