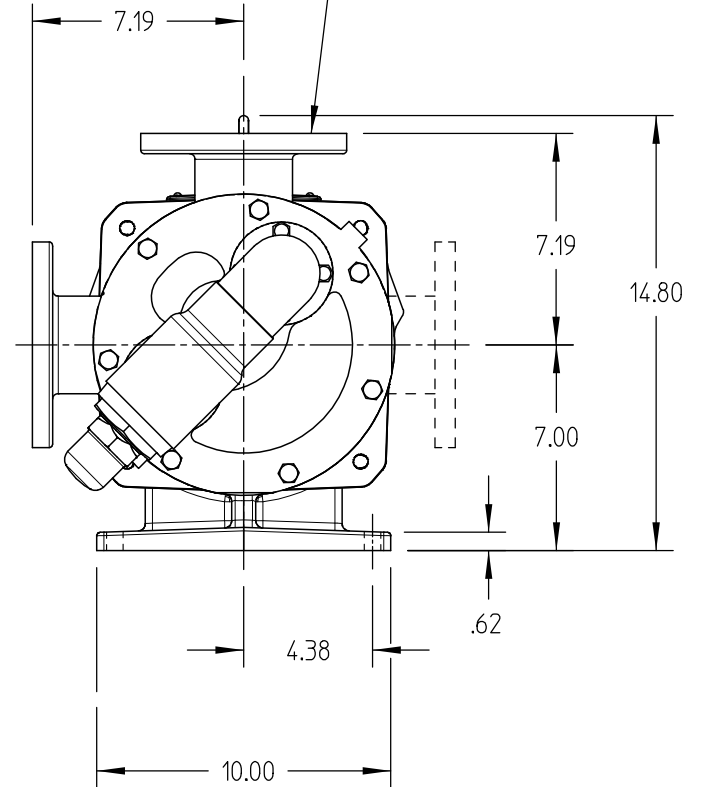
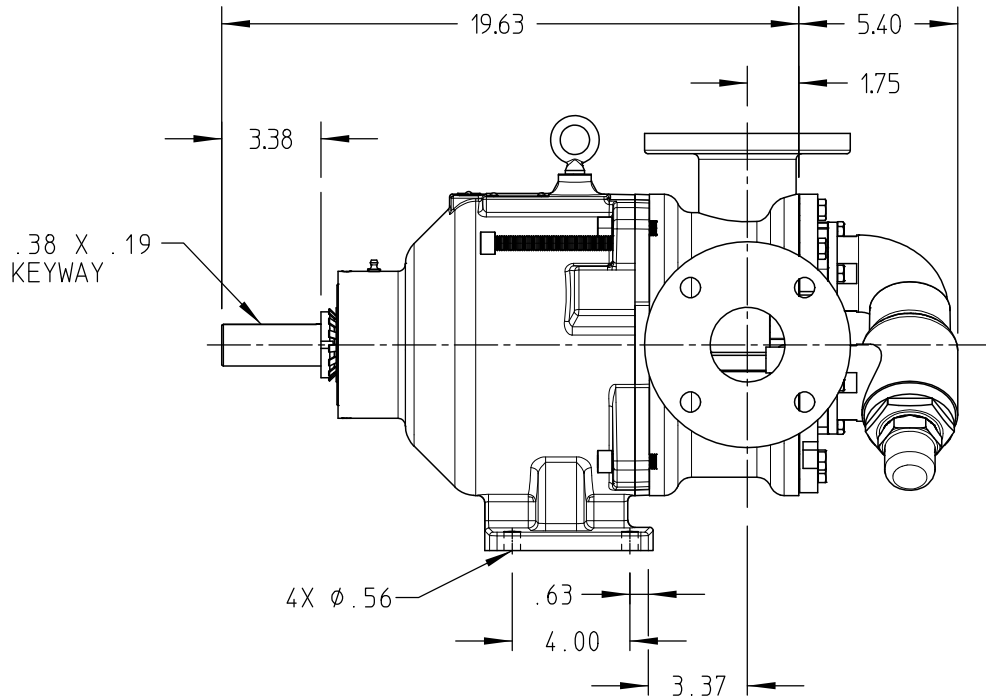


PORTS: 2-1/2" FLANGES
SUITABLE FOR USE WITH
ANSI CLASS 125 (8124A)
ANSI CLASS 150 (8123A, 8127A)



STANDARD MODELS: LQ8124A, LQ8123A, LQ8127A

STATE	RELEASED	18 FEB 2010
DRAWN	MILLER	26 OCT 2007
CHECKED	SMM	08 NOV 2007

DIMENSIONS ARE IN INCHES	
PROJECT	D215
WAS	



VIKING PUMP, INC.
A Unit of IDEX Corporation
Cedar Falls, Iowa 50613
U.S.A.

THIS DRAWING IS THE PROPERTY OF VIKING PUMP, INC. AND IS PROPRIETARY IN GENERAL AND DETAIL. IT SHALL NOT BE COPIED OR ITS CONTENTS REVEALED TO OUTSIDE PARTIES WITHOUT THE WRITTEN CONSENT OF VIKING PUMP, INC.

3D

DWG. NO.

LV-4039

SHEET 1 OF 1

REV. C

9 DEC 2009